





SHERIDAN TORCHIERE

DESCRIPTION

The Sheridan Torchiere is machined from solid brass. All parts are hand polished and patina'd. Electrical wiring is a vintage textile cord. The shade is watercolor paper.

FINISHES

Shown in Polished Nickel (standard). Also available in Satin Nickel, Oil-Rubbed Bronze and Lite Antique Bronze. Please note: All finishes may vary slightly.

SHADE

Watercolor Paper - 12" x 23" Diameter.

MODEL

1 1 4 0

DIMENSIONS

23 Dia x 72H 15 lbs

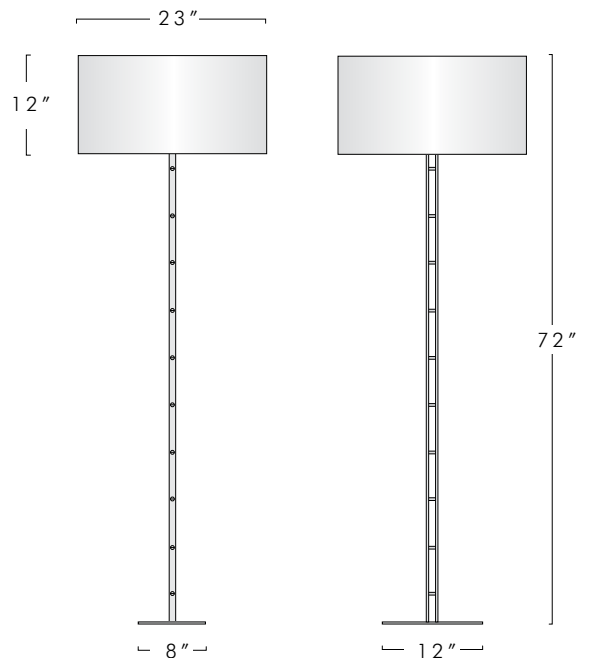
NET WT.

BASE PLATE

12W x 8D

ELECTRICAL

1 x E26 8w LED bulb (75w equivalent) - 75w max



DIMMABLE
2700K