





All Lighting Design and Design Elements are ©2011 by Jonathan Browning Studios, Inc.

## SHERIDAN TABLE LAMP

### DESCRIPTION

The Sheridan Table Lamp is machined from solid brass. All parts are hand polished and patina'd. Electrical wiring is a vintage textile cord. The shade is watercolor paper.

### FINISHES

Shown in Oil-rubbed Bronze (standard). Also available in Satin Nickel, Polished Nickel and Lite Antique Bronze. Please note: All finishes may vary slightly.

### SHADE

Watercolor Paper - 12" x 23" Diameter.

### MODEL #

1 1 3 0

### DIMENSIONS

23 Dia x 34.5 H

### NET WT.

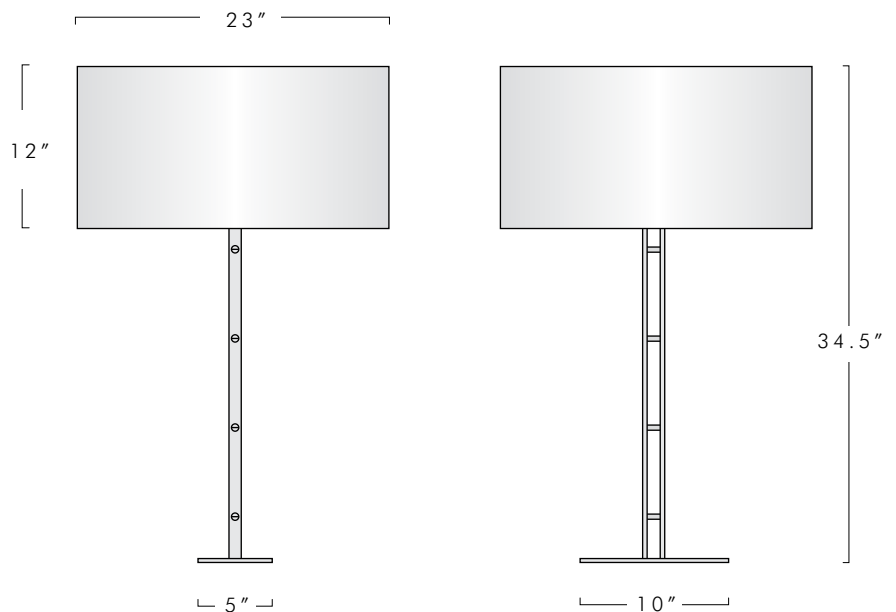
8 lbs

### BASE PLATE

10 W x 5 D

### ELECTRICAL

1 x E26 8w LED bulb - (75w equivalent) 75w max



**DIMMABLE**  
**2700K**