

All Lighting Design and Design Elements are ©2018 by Jonathan Browning Studios, Inc.

## ROCHILLON TABLE LAMP

### DESCRIPTION

The Rochillon Table Lamp is machined from solid brass. All parts are hand polished and patina'd. The lead crystal shade is hand carved and polished.

### FINISHES

Shown in Lite Antique Bronze (standard). Please inquire about our other finishes. Note: All finishes may vary slightly.

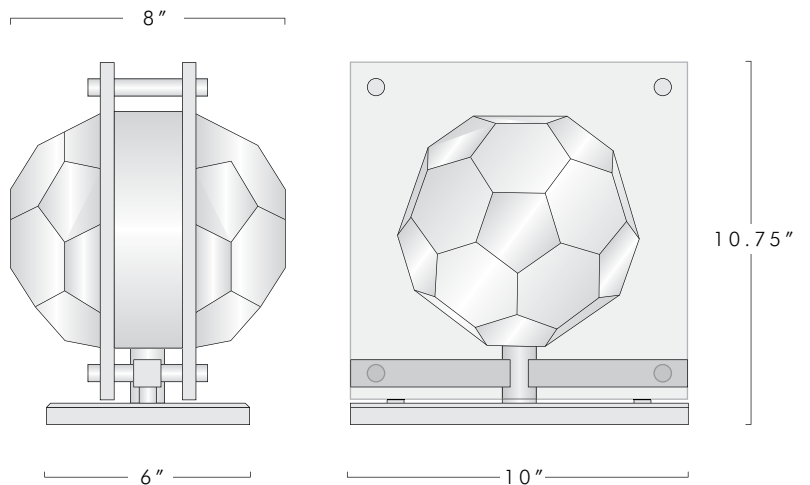
### SHADE

Lead Crystal.

<b>MODEL #</b>	<b>DIMENSIONS</b>	<b>NET WT.</b>
1 7 1 2	10W x 8D x 10.75H	22 lbs

### ELECTRICAL

1 x E12 25W - 60W Max - LED Available



**DIMMABLE**  
**2700K**