

All Lighting Design and Design Elements are ©2016 by Jonathan Browning Studios, Inc.

## ROCHILLON FLOOR LAMP

### DESCRIPTION

The Rochillon Floor Lamp is machined by hand from solid brass. All parts are hand polished and patina'd. Each lead crystal panel is faceted and polished by hand.

### FINISHES

Shown in Lite Antique Bronze (standard). Please inquire about our other finishes. Note: All finishes may vary slightly.

### SHADE

Lead Crystal.

### MODEL #

1 5 1 6

### DIMENSIONS

11 W x 11 D x 60 H

### NET WT.

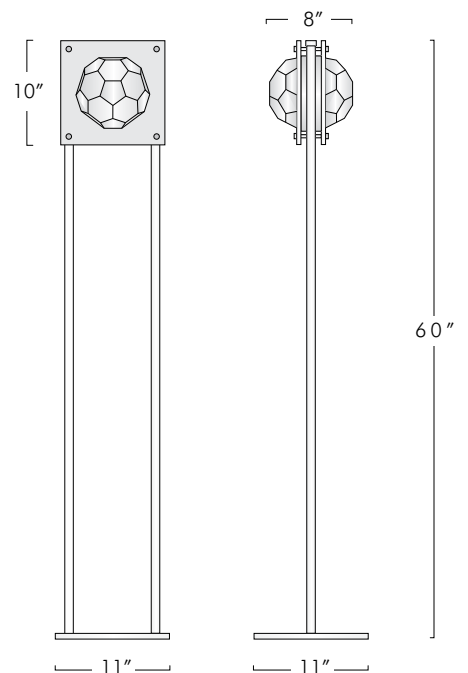
38 lbs

### BASE PLATE

11 W x 11 D

### ELECTRICAL

1 x E12 - 40w max - LED available



DIMMABLE  
2700K