



All Lighting Design and Design Elements are ©2015 by Jonathan Browning Studios, Inc.

## MONTFAUCON TORCHIERE

### DESCRIPTION

The Montfaucou Torchiere is hand carved from rosewood. The hand made shade is unglazed white porcelain. The round base is solid brass which is polished and patina'd by hand.

### FINISHES

Rosewood and Bronze.  
Please note: All finishes may vary slightly.

### SHADE

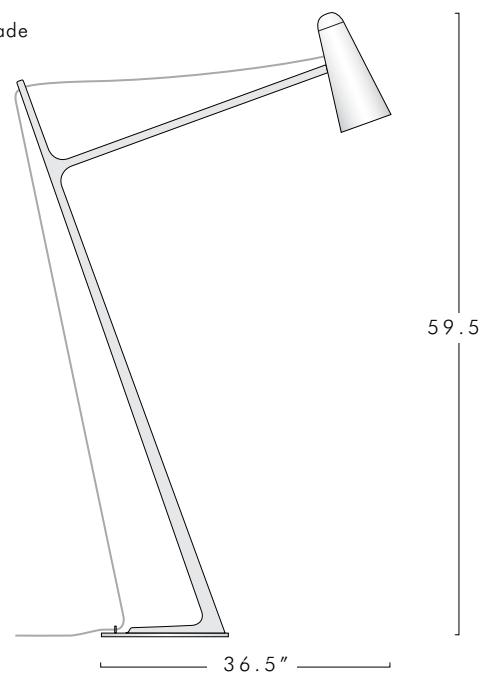
Unglazed Porcelain. Due to the hand-made nature of these porcelain shades, the thickness, height and texture will vary slightly.

MODEL #	DIMENSIONS	NET WT.
1 5 1 1	36.5 W x 59.5 H x 12 D	10 lbs

### ELECTRICAL

1 x E26 75w - LED equivalent

Unglazed Porcelain Shade



**DIMMABLE**  
**2700K**