





TRUMILLY AMPHORA PENDANT

DESCRIPTION

The Trumilly Amphora Pendant is machined by hand from solid brass. All parts are hand polished and patina'd. The frosted Amphora blown glass is secured by machined brass parts.

FINISHES

Shown in Oil Rubbed Bronze (standard). Please inquire about our other finishes. Note: All finishes may vary slightly.

SHADE

Frosted Blown Glass - Amphora.

MODEL #	DIMENSIONS	NET WT.
2 1 4 8	15 DIA x 69.25 OAH*	28 lbs

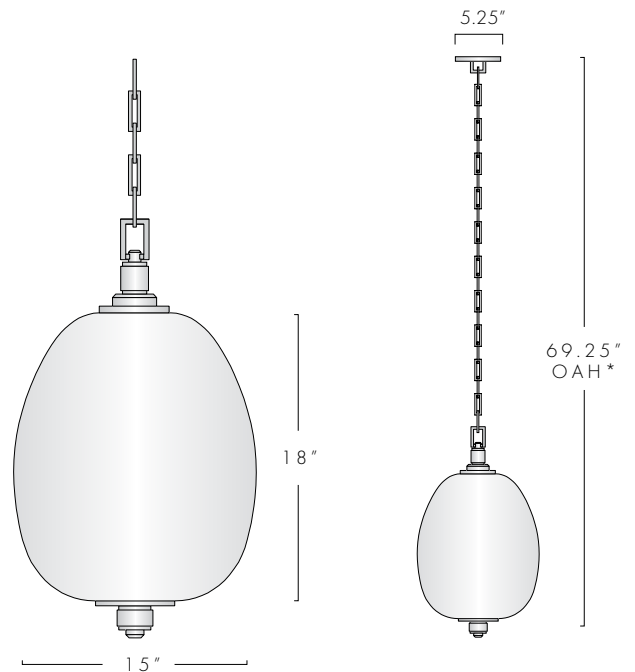
CEILING PLATE / J-BOX

5.25" Diameter

ELECTRICAL

1 x E26 5W LED Bulb Only

*Custom drop lengths can be specified.







All Lighting Design and Design Elements are ©2022 by Jonathan Browning Studios, Inc.

TRUMILLY CLOCHE PENDANT

DESCRIPTION

The Trumilly Cloche Pendant is machined by hand from solid brass. All parts are hand polished and patina'd. The frosted Cloche blown glass is secured by machined brass parts.

FINISHES

Shown in Oil Rubbed Bronze (standard). Please inquire about our other finishes. Note: All finishes may vary slightly.

SHADE

Frosted Blown Glass - Cloche.

MODEL

2 2 0 9

DIMENSIONS

14 DIA x 60 OAH*

NET WT.

20 lbs

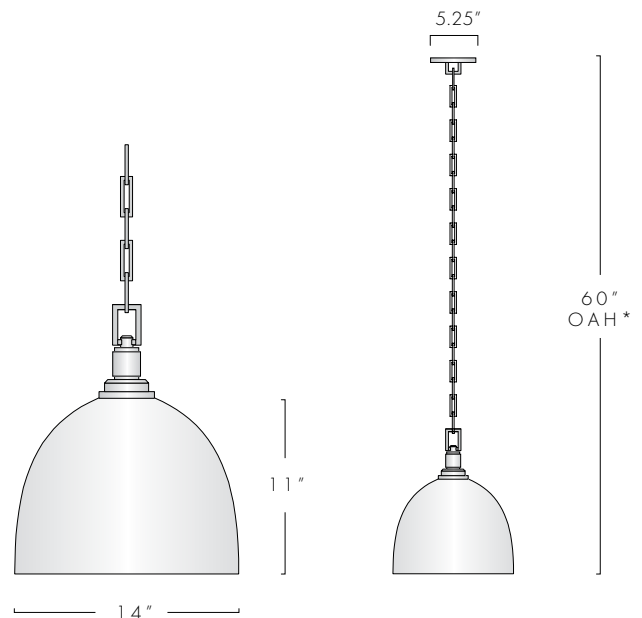
CEILING PLATE / J-BOX

5.25" Diameter

ELECTRICAL

1 x E26 7W LED Bulb Only

*Custom drop lengths can be specified.







All Lighting Design and Design Elements are ©2022 by Jonathan Browning Studios, Inc.

TRUMILLY CYLINDER PENDANT

DESCRIPTION

The Trumilly Cylinder Pendant is machined by hand from solid brass. All parts are hand polished and patina'd. The frosted Cylinder blown glasses are secured by machined brass parts.

FINISHES

Shown in Oil Rubbed Bronze (standard). Please inquire about our other finishes. Note: All finishes may vary slightly.

SHADE

Frosted Blown Glass - Cylinder.

MODEL #	DIMENSIONS	NET WT.
2 1 5 0	5.25 DIA x 60 OAH*	15 lbs

CEILING PLATE / J-BOX

5.25" Diameter

ELECTRICAL

1 x E26 5W LED Bulb Only

*Custom drop lengths can be specified.

