





All Lighting Design and Design Elements are ©2018 by Jonathan Browning Studios, Inc.

MESSIAEN TABLE LAMP

DESCRIPTION

The Messiaen Table Lamp is machined from solid brass. All parts are hand polished and patina'd. The shade can be positioned at various angles.

FINISHES

Shown in Lite Antique Bronze and Oil Rubbed Bronze (standard). Also available in Black Bronze. Please note: All finishes may vary slightly.

SHADE

Brass.

MODEL

1717

DIMENSIONS

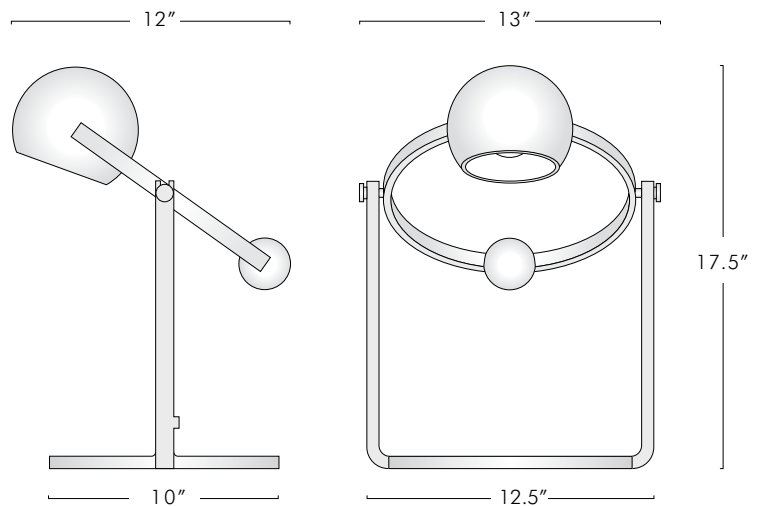
13 W x 12 D x 17.5 H

NET WT.

15 lbs

ELECTRICAL

1 x G9 40W - 75W Max - LED Available



DIMMABLE
2700K