

JONATHAN  
BROWNING  
STUDIOS  
2024 CATALOG V13.6





**"I have two great obsessions: French Beaux Arts classicism, and 20th Century industrial design. There is a constant tension between the two in everything I design, whether product or interiors."**

**– JB**

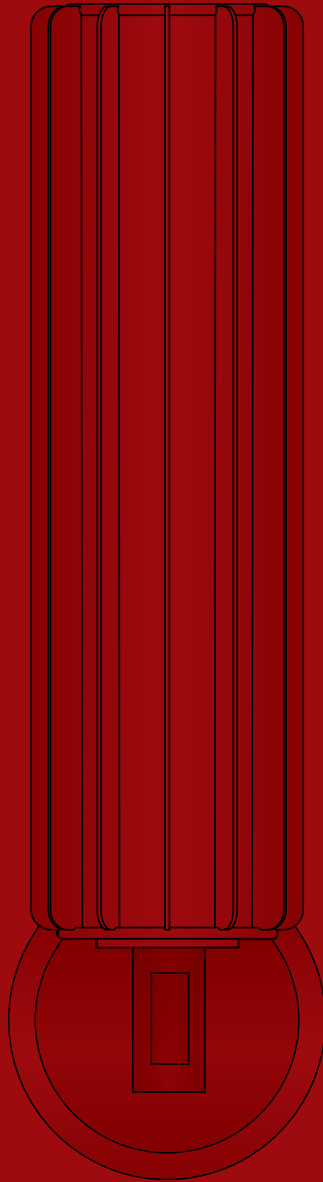
Founded in 2003 by Jonathan Browning and Marco Heithaus, Jonathan Browning Studios designs and manufactures some of the finest bronze, brass, and glass fixtures in the world. By producing only small quantities, we are able to offer some of the highest quality products available. Using advanced 3D modeling techniques, we design and engineer fixtures to tight tolerances uncommon to the industry. A love of classicism and industrial design sets the tone for the collections, whether they be chandeliers and sconces, floor lamps and table lamps, or furniture. Timeless and elegant, these fixtures are manufactured to a standard rarely seen today, and are meant to last forever.



<b>WALL FIXTURES</b>		<b>W</b>	CANTENAC CIRCULAR CHANDELIER	122	<b>FLUSH MOUNTS</b>		<b>C</b>	
ALOUETTE SCONCE	5	CANTENAC PENDANT	124	ANTHÉRON FLUSH MOUNT	245			
ALOUETTE DOUBLE SCONCE	7	CAMUS CHANDELIER	126	ALENÇON FLUSH MOUNT	247			
ALOUETTE LINEAR SCONCE	9	CHAMONT CHANDELIER	128	CARON FLUSH MOUNT	249			
AMBOISE SCONCE	11	CHAMONT LAVALIER	130	CHAMONT FLUSH MOUNT	251			
APOLLINAIRE SCONCE	13	CHAMONT PENDANT	132	CHARTIER FLUSH MOUNT	253			
AVION SCONCE	15	CHARLOT CIRCULAR CHANDELIER	134	DUVERNOIS FLUSH MOUNT	255			
BROUILLON SCONCE	17	CHARLOT PENDANT	136	GLAÇON SINGLE LIGHT	257			
CANTENAC SCONCE	19	■ CHARTIER 10 LIGHT CIRCULAR CHANDELIER	138	GLAÇON 4 LIGHT	259			
CHAILLOT SCONCE	21	CHARTIER CIRCULAR CHANDELIER	140	GLAÇON 9 LIGHT FLUSH MOUNT	261			
CHAMONIX SCONCE	23	CHARTIER LINEAR CHANDELIER	142	LEMONNIER FLUSH MOUNT	263			
CHAMONT SCONCE	25	CHARTIER PENDANT	144	LOURMARIN FLUSH MOUNT	265			
CHARLOT SCONCE	27	CHARTIER SQUARE CHANDELIER	146	MAUBEC FLUSH MOUNT	267			
■ CHARTIER HANGING SCONCE	29	CHATELET CIRCULAR CHANDELIER	148	PÉRIGORD FLUSH MOUNT	269			
CHARTIER SCONCE	31	CHATELET LINEAR CHANDELIER	150	PERRET FLUSH MOUNT	271			
CHATELET SCONCE	33	CHATELET PENDANT	152	ROQUEBRUN FLUSH MOUNT	273			
CHAUSSON SCONCE	35	CORNICHE CIRCULAR CHANDELIER	154	ROUVILLE FLUSH MOUNT	275			
CORNICHE SCONCE	37	CORNICHE LINEAR CHANDELIER	156	SHIELD FLUSH MOUNT	277			
DAUPHINE SCONCE	39	CORNICHE PENDANT	158	VILLIERS FLUSH MOUNT	279			
■ DESSAY SCONCE	41	CORNICHE 4 LIGHT PENDANT	160	VERMANDOIS FLUSH MOUNT	281			
■ DESSAY DOUBLE SCONCE	43	■ DESSAY CIRCULAR CHANDELIER	162					
DUVERNOIS SCONCE	45	■ DESSAY LINEAR CHANDELIER	164	<b>OUTDOOR FIXTURES</b>				<b>O</b>
FONTENAY SCONCE	47	■ DUBREUIL PENDANT	166	ALOUETTE OUTDOOR SCONCE	284			
FRANCAIX SCONCE	49	DUVERNOIS LAVALIER	168	AMBOISE OUTDOOR SCONCE	286			
GLAÇON SQUARE SCONCE	51	FONTENAY LINEAR CHANDELIER	170	BROUILLON OUTDOOR SCONCE	288			
GLAÇON TALL SCONCE	53	FONTENAY PENDANT	172	LECLERC OUTDOOR SCONCE	290			
GLAÇON SHORT SCONCE	55	FRANCAIX PENDANT	174	PASTIS OUTDOOR SCONCE	292			
GLAÇON SINGLE LIGHT	57	GLAÇON PENDANT	176	VENTOUX OUTDOOR SCONCE	294			
GLAÇON 4 LIGHT	59	■ LAURISTON CIRCULAR CHANDELIER	178					
LECLERC SCONCE	61	LAURISTON CLUSTER PENDANT	180	<b>FLOOR FIXTURES</b>				<b>F</b>
LE PENTAGONE SCONCE	63	LAURISTON PENDANT	182	DUVERNOIS FLOOR LAMP	297			
MALLET SWING ARM SCONCE	65	LAURISTON 2 LIGHT PENDANT	184	SANNES FLOOR LAMP	299			
MARAIS SCONCE	67	LAURISTON 4 LIGHT PENDANT	186	VANEAU TASK LAMP	301			
MEUDON SCONCE	69	LE DIAMANT CHANDELIER	188	VIDAME FLOOR LAMP	303			
MONTALEMBERT SCONCE	71	LE PENTAGONE CHANDELIER	190					
MONTFAUCON SINGLE SCONCE	73	LE PETITE PENTAGONE	192	<b>TABLE FIXTURES</b>				<b>T</b>
PASTIS SCONCE	75	LE PENTAGONE PENDANT	194	ANJOU TABLE LAMP	306			
PASTIS DOUBLE SCONCE	77	MONTALEMBERT CHANDELIER – 6 LIGHT	196	■ AMBRAULT TABLE LAMP	308			
PLATIERE SCONCE	79	MONTALEMBERT CHANDELIER – 3 LIGHT	198	DESMOULINS TABLE LAMP	310			
PLATIERE DOUBLE SCONCE	81	MONTALEMBERT 4 LIGHT PENDANT	200	■ GIRARDOT TABLE LAMP	312			
PLATIERE VANITY SCONCE	83	MONTALEMBERT LINEAR CHANDELIER	202	DUVERNOIS TABLE LAMP	314			
SHIELD SCONCE	85	MONTFAUCON CHANDELIER	204	GLAÇON RECTANGULAR TABLE LAMP	316			
VALDAMPIERRE SCONCE	87	MONTFAUCON 3 LIGHT PENDANT	206	GLAÇON SQUARE TABLE LAMP	318			
VALETTE SCONCE	89	MONTFAUCON PENDANT	208	MONTPENSIER TABLE LAMP	320			
VENTOUX SCONCE	91	■ PASTIS LINEAR CHANDELIER	210	TOURVILLE TABLE LAMP	322			
VENTOUX DOUBLE ARM SCONCE	93	PASTIS 4 LIGHT PENDANT	212	VENTOUX TABLE LAMP	324			
VINCENNES SCONCE	95	PASTIS CIRCULAR CHANDELIER	214					
		PLATIERE CIRCULAR CHANDELIER	216	<b>ACCESSORIES</b>				<b>A</b>
		PLATIERE LINEAR CHANDELIER	218	ANJOU COCKTAIL TABLE	327			
<b>CEILING FIXTURES</b>		<b>C</b>	RAMEAU 10 LIGHT CIRCULAR CHANDELIER	220	LEDOUX COCKTAIL TABLE	329		
ALOUETTE CHANDELIER	98	RAMEAU CIRCULAR CHANDELIER	222	MACHAUT FIRESCREEN	331			
ALOUETTE PENDANT	100	RAMEAU LINEAR CHANDELIER	224	PASCAL FIRESCREEN	333			
APOLLINAIRE CIRCULAR CHANDELIER	102	RAMEAU PENDANT	226	QUENTIN COCKTAIL TABLE	335			
APOLLINAIRE LINEAR CHANDELIER	104	TRUMILLY AMPHORA PENDANT	228	TIGES FIRESCREEN	337			
APOLLINAIRE PENDANT	106	TRUMILLY CLOCHE PENDANT	230					
APOLLINAIRE 2 LIGHT PENDANT	108	TRUMILLY CYLINDER PENDANT	232					
AVION CHANDELIER	110	VALETTE CIRCULAR CHANDELIER	234					
AVION CIRCULAR CHANDELIER - 12 LIGHT	112	VALETTE LINEAR CHANDELIER	236					
BECQUEREL PENDANT	114	VALETTE PENDANT	238					
BOUILLANT CLOCHE PENDANT	116	VICHY LINEAR CHANDELIER	240					
BOUILLANT CYLINDER PENDANT	118	VICHY PENDANT	242					
BOUILLANT FUNNEL PENDANT	120							

■ INDICATES NEW PRODUCTS

W A L L F I X T U R E S









All Lighting Design and Design Elements are ©2013 by Jonathan Browning Studios, Inc.

## ALOUETTE SCONCE

### DESCRIPTION

The Alouette Sconce is machined from solid brass. All parts are hand polished and plated. Its borosilicate glass shade is fire polished by hand.

### FINISHES

Shown in Lite Antique and Oil Rubbed Bronze (standard). Please inquire about our other finishes. Note: All finishes may vary slightly.

### SHADE

Reeded borosilicate glass. Also available in frosted glass. Two available sizes: 8.5" and 13.5". 8.5" shown in photos and line drawing.

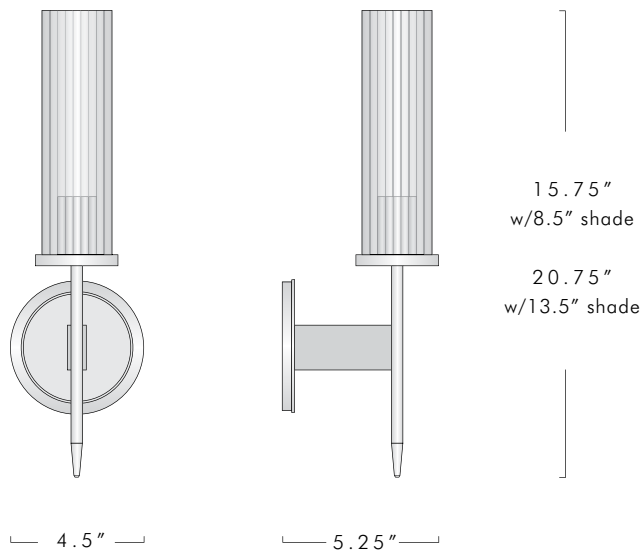
MODEL #	DIMENSIONS	NET WT.
1 3 1 3	4.5 W x 5.25 D x 15.75 H	5 lbs

### BACK PLATE / J-BOX

4.5" Diameter

### ELECTRICAL

1 x E26 60w T10 (8.5" glass version) – LED available  
 1 x E26 75w T8 (13.5" glass version)







All Lighting Design and Design Elements are ©2017 by Jonathan Browning Studios, Inc.

## ALOUETTE DOUBLE SCONCE

### DESCRIPTION

The Alouette Double Sconce is machined from solid brass. All parts are hand polished and patina'd. Its borosilicate glass shades are fire polished by hand.

### FINISHES

Shown in Lite Antique and Oil Rubbed Bronze (standard). Please inquire about our other finishes. Note: All finishes may vary slightly.

### SHADE

Reeded borosilicate glass. Also available in frosted glass. Two available sizes: 8.5" and 13.5". 13.5" shown in photos and line drawing.

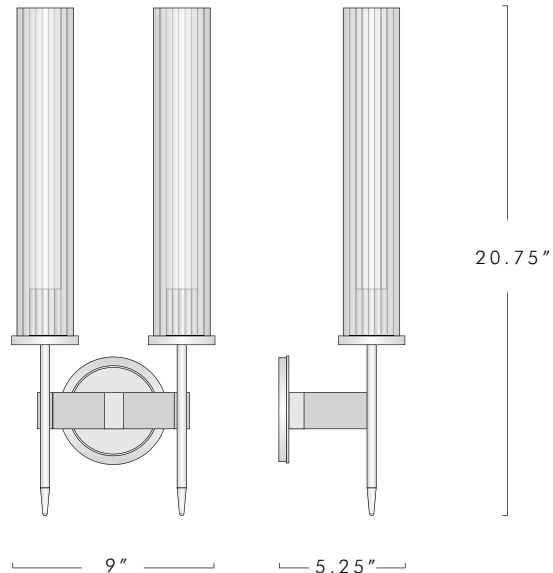
MODEL #	DIMENSIONS	NET WT.
1706	9 W x 5.25 D x 20.75 H	7 lbs

### BACK PLATE / J-BOX

4.5" Diam. / Top to J-Box center: 16.375"

### ELECTRICAL

2 x E26 60w T10 (8.5" glass version) – LED available  
 2 x E26 75w T8 (13.5" glass version) – LED available









## ALOUETTE LINEAR SCONCE

### DESCRIPTION

The Alouette Linear Sconce is machined from solid brass. The entire fixture is hand polished and patina'd. The shades are ribbed borosilicate glass and are fire polished by hand. Can be mounted horizontally or vertically.

### FINISHES

Shown in Lite Antique and Oil Rubbed Bronze (standard). Also available in Polished Nickel, and Satin Nickel. Please note: All finishes may vary slightly.

### SHADE

Reeded borosilicate glass. Also available in frosted glass.

### MODEL #

1 5 0 6

### DIMENSIONS

4.25"W x 5.25" D x 21.75" H

### NET WT.

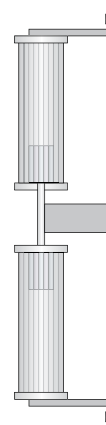
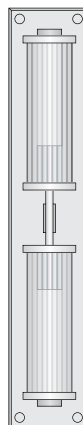
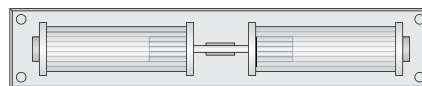
10 lbs

### BACK PLATE / J-BOX

4.25 x 21.75 / Top to J-Box center: 10.875"  
Some additional blocking may be required.

### ELECTRICAL

2 x E26 60w - 120 max - LED available



21.75"

4.25"

5.25"







All Lighting Design and Design Elements are ©2011 by Jonathan Browning Studios, Inc.

## AMBOISE SCONCE

### DESCRIPTION

The Amboise Sconce is machined completely by hand. All parts are hand polished and plated. Its shade is reeded borosilicate glass, fire polished by hand.

### FINISHES

Shown in Oil Rubbed Bronze (standard). Please inquire about our other finishes. Note: All finishes may vary slightly.

### SHADE

Reeded Borosilicate Glass. Also available in Frosted Glass.

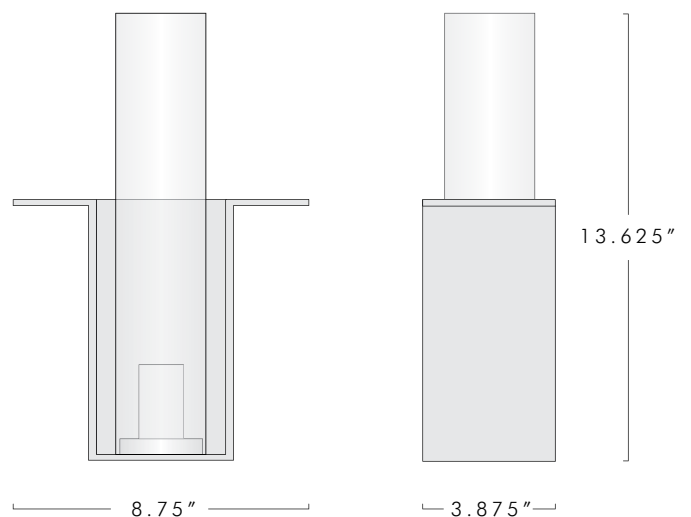
MODEL #	DIMENSIONS	NET WT.
1 1 0 1	8.75 W x 3.875 D x 13.625 H	5 lbs

### BACK PLATE / J-BOX

4.75 W x 8 H / Top to J-Box center: 10.5"

### ELECTRICAL

1 x E26 40w T8 - 75w max  
1 x E26 3.5w T8 LED filament bulb available









All Lighting Design and Design Elements are ©2016 by Jonathan Browning Studios, Inc.

## APOLLINAIRE SCONCE

### DESCRIPTION

The Apollinaire Sconce is machined from solid brass. All parts are hand polished and patina'd. The lead crystal shade is turned and polished by hand.

### FINISHES

Shown in Lite Antique Bronze and Oil Rubbed Bronze (standard). Please inquire about our other finishes. Note: All finishes may vary slightly.

### SHADE

Lead Crystal.

MODEL #	DIMENSIONS	NET WT.
1 6 0 6	4.5 W x 5.375 D x 26 OAH*	6 lbs

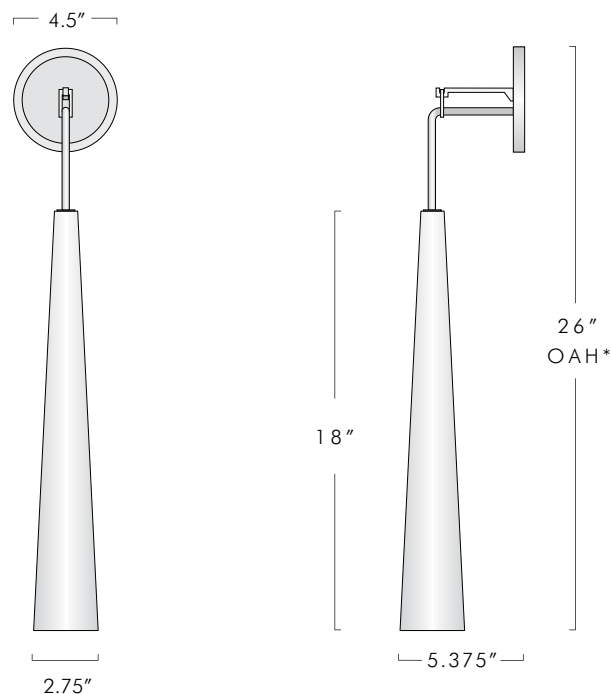
### BACK PLATE / J-BOX

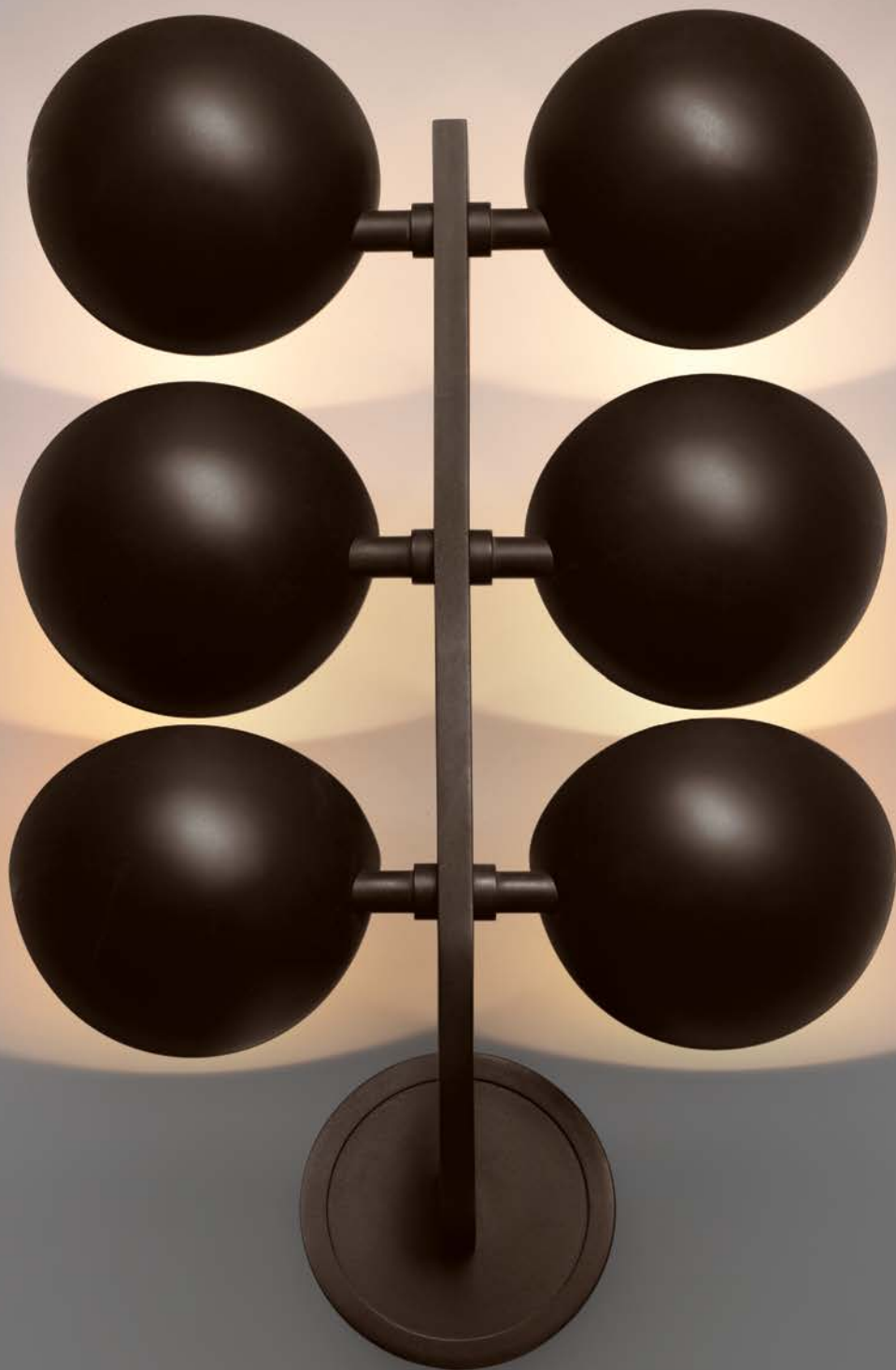
4.5" Diameter / Top to J-Box center: 2.25"

### ELECTRICAL

1 x 5w LED Bulb Only - (40w incandescent equivalent)  
Warm White, Dimmable

\*Custom drop lengths can be specified.







All Lighting Design and Design Elements are ©2015 by Jonathan Browning Studios, Inc.

## AVION SCONCE

### DESCRIPTION

The Avion Sconce is handmade from solid brass. Each half round orb is turned by hand individually. All parts are hand polished and patina'd.

### FINISHES

Shown in Oil Rubbed Bronze (standard). Please inquire about our other finishes. Note: All finishes may vary slightly.

### SHADE

Brass. Hand turned.

### MODEL #

1 5 0 0

### DIMENSIONS

12.5 W x 5.75 D x 17.75 H

### NET WT.

4.5 lbs

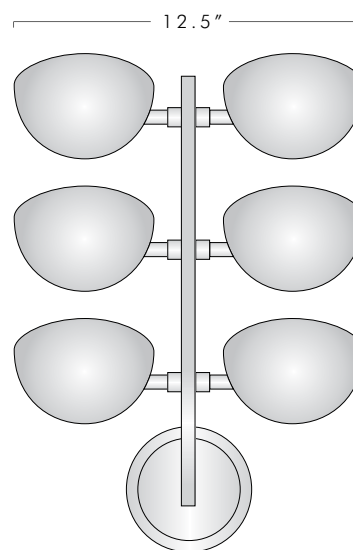
### BACK PLATE / J-BOX

4.5" Diameter / Top to J-Box center: 15.5"

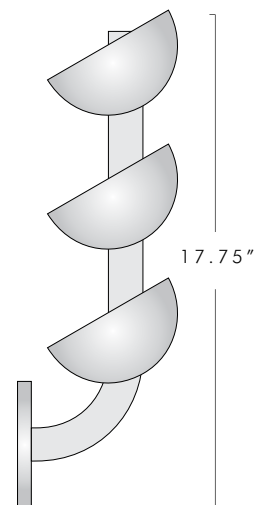
### ELECTRICAL

6 x G9 40w - 240w max

Ask about LED option



4.5"



5.75"









All Lighting Design and Design Elements are ©2019 by Jonathan Browning Studios, Inc.

## BROUILLON SCONCE

### DESCRIPTION

The Brouillon Sconce is made from solid brass. All parts are hand polished and patina'd. The body is made from one continuous piece.

### FINISHES

Shown in Oil Rubbed Bronze and Lite Antique Bronze (standard). Please inquire about our other finishes. Note: All finishes may vary slightly.

### SHADE

Brass

### MODEL #

1 8 2 8

### DIMENSIONS

7" W x 4.25" D x 12" H

### NET WT.

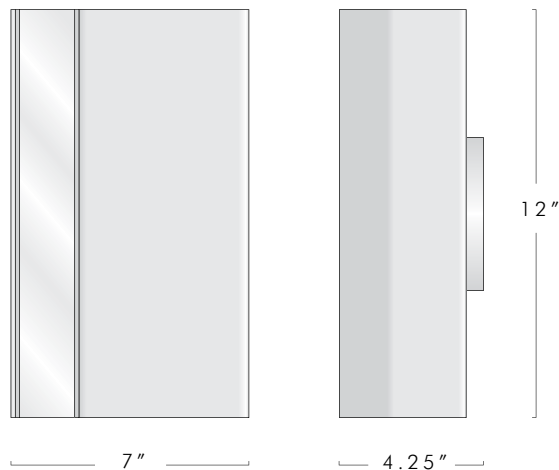
11 lbs

### BACK PLATE / J-BOX

4.5" Diameter / Top to J-Box Center: 6"

### ELECTRICAL

2 x G9 3.5W LED - 120W Max - LED Standard







All Lighting Design and Design Elements are ©2022 by Jonathan Browning Studios, Inc.

## CANTENAC SCONCE

### DESCRIPTION

The CANTENAC SCONCE is made by hand from thick-walled brass tubing. The ceiling plate and arm are machined from solid brass. All parts are hand polished and patina'd. The shade exterior is finished in Black Bronze and the interior is Lite Antique Bronze.

### FINISHES

Shown in Black Bronze and Lite Antique Bronze (standard). Please inquire about our other finishes. Note: All finishes may vary slightly.

### SHADE

Brass.

MODEL #	DIMENSIONS	NET WT.
2 2 0 2	4.5W x 5.625 D x 20H*	3.5 lbs

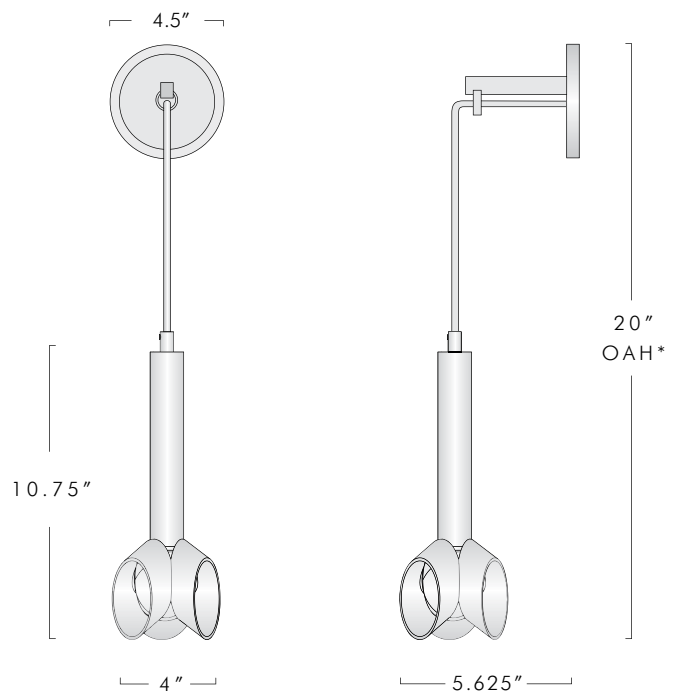
### WALL PLATE / J-BOX

4.5" Diameter / Top to J-Box center: 2.25"

### ELECTRICAL

1 x E12 4W LED Bulb Only

\*Custom drop lengths can be specified.









All Lighting Design and Design Elements are ©2016 by Jonathan Browning Studios, Inc.

## CHAILLOT SCONCE

### DESCRIPTION

The Chaillot sconce is machined by hand from solid brass. All parts are hand polished and patina'd. The lead crystal shade is turned and polished by hand.

### FINISHES

Shown in Oil Rubbed Bronze (standard). Please inquire about our other finishes. Note: All finishes may vary slightly.

### SHADE

Lead Crystal.

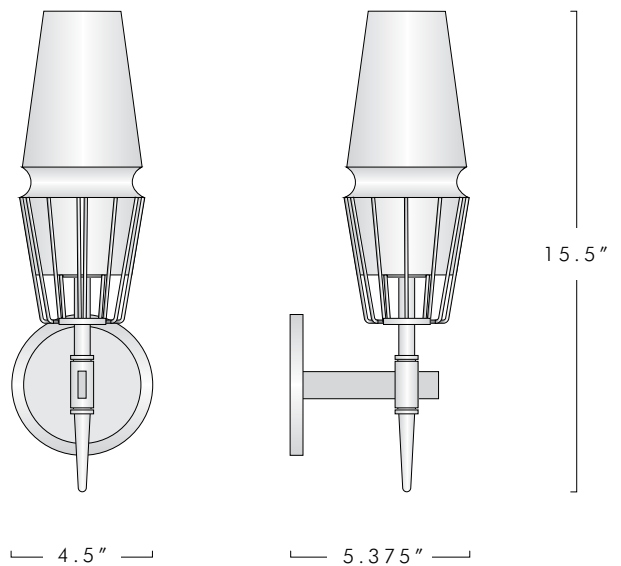
MODEL #	DIMENSIONS	NET WT.
1 6 0 0	4.5 W x 5.375 D x 15.5 H	9 lbs

### BACK PLATE / J-BOX

4.5" Diameter / Top to J-Box center: 12"

### ELECTRICAL

1 x E12 25w - 60w max - LED Available







## CHAMONIX SCONCE

### DESCRIPTION

The Chamonix Sconce is made of lead crystal. Each crystal shade is made by hand. The metal backplate and stem are machined and polished by hand from solid brass.

### FINISHES

Shown in Oil Rubbed Bronze (standard). Please inquire about our other finishes. Note: All finishes may vary slightly.

### SHADE

Lead Crystal.

MODEL #	DIMENSIONS	NET WT.
1 5 0 8	5.125 W x 7 D x 26 OAH*	7 lbs

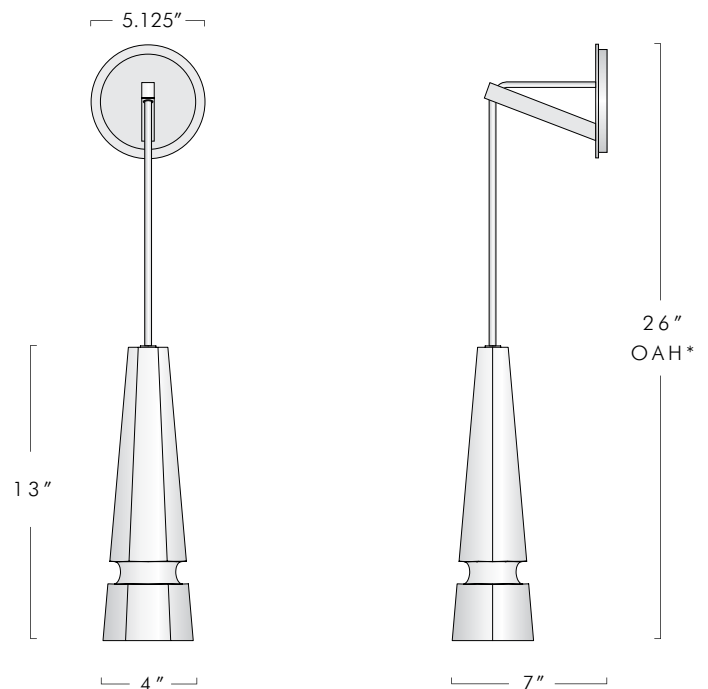
### BACK PLATE / J-BOX

5.125" Diameter / Top to J-Box center: 2.5"

### ELECTRICAL

1 x 5w LED Bulb Only - (40w incandescent equivalent)  
Warm White, Dimmable

\*Custom drop lengths can be specified.







All Lighting Design and Design Elements are ©2013 by Jonathan Browning Studios, Inc.

## CHAMONT SCONCE

### DESCRIPTION

The Chamont Sconce is machined by hand from solid brass. The rectangular arm provides the structure for the lead crystal shade to sit. This shade is hand worked on a diamond wheel to achieve its detail.

### FINISHES

Shown in Oil Rubbed Bronze (standard). Please inquire about our other finishes. Note: All finishes may vary slightly.

### SHADE

Lead Crystal.

### MODEL #

1 3 1 1

### DIMENSIONS

4.5 W x 4.5 D x 11.625 H

### NET WT.

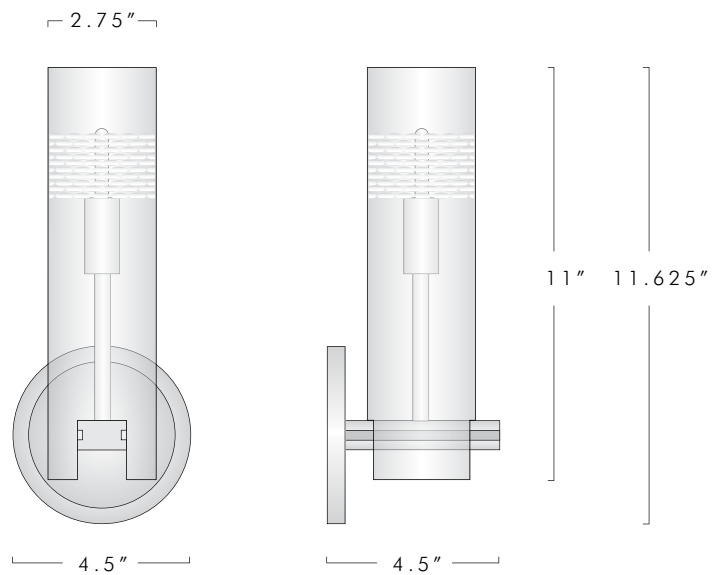
4.5 lbs

### BACK PLATE / J-BOX

4.5" Diameter / Top to J-Box center: 9.375"

### ELECTRICAL

1 x E12 - 60w max - LED Available









All Lighting Design and Design Elements are ©2018 by Jonathan Browning Studios, Inc.

## CHARLOT SCONCE

### DESCRIPTION

The Charlot Sconce is made from smoked borosilicate glass. The ceiling plate and socket cover are machined and polished by hand from solid brass.

### FINISHES

Shown in Black Bronze (standard). Please inquire about our other finishes. Note: All finishes may vary slightly.

### SHADE

Smoked Borosilicate Glass.

MODEL #	DIMENSIONS	NET WT.
1 8 1 5	5.125 W x 6 D x 22 OAH*	5 lbs

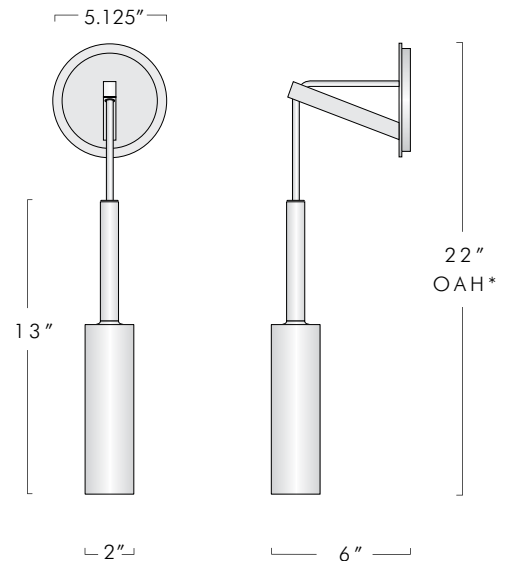
### BACK PLATE / J-BOX

5.125" Diameter / Top to J-Box center: 2.563"

### ELECTRICAL

1 x E12 4W LED Bulb Only  
Warm White, Dimmable

\*Custom drop lengths can be specified.







All Lighting Design and Design Elements are ©2023 by Jonathan Browning Studios, Inc.

## CHARTIER HANGING SCONCE

### DESCRIPTION

The Chartier Hanging Sconce is machined from solid brass. All parts are hand polished and patina'd. The clear lead crystal shade is hand polished.

### FINISHES

Shown in Oil Rubbed Bronze (standard). Please inquire about our other finishes. Note: All finishes may vary slightly.

### SHADE

Clear Lead Crystal.

### MODEL #

2 3 0 1

### DIMENSIONS

4.5W x 6.5D x 22H\*

### NET WT.

10 lbs

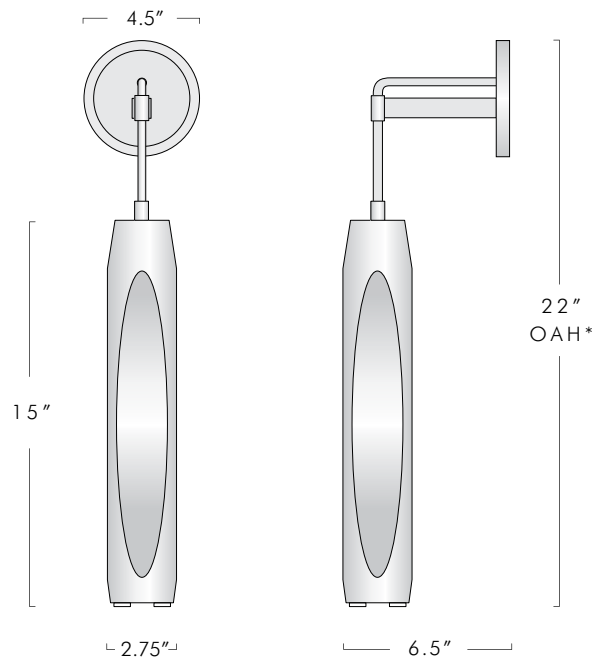
### BACK PLATE

4.5" Diameter / Top to J- Box Center: 2.25"

### ELECTRICAL

1 x E26 3.5W T8 LED filament bulb only

\*Custom drop lengths can be specified.







All Lighting Design and Design Elements are ©2018 by Jonathan Browning Studios, Inc.

## CHARTIER SCONCE

### DESCRIPTION

The Chartier Sconce is machined from solid brass. All parts are hand polished and patina'd. The lead crystal shade is hand polished.

### FINISHES

Shown in Oil Rubbed Bronze (standard). Please inquire about our other finishes. Note: All finishes may vary slightly.

### SHADE

Lead Crystal.

### MODEL #

1704

### DIMENSIONS

5W x 7.25D x 10.5H

### NET WT.

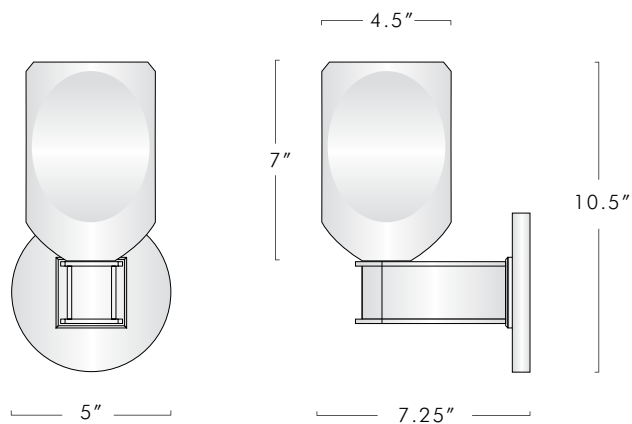
13 lbs

### BACK PLATE / J-BOX

5" Diameter / Top to J-Box Center: 8"

### ELECTRICAL

1 x E26 25W - 60W Max - LED Available









All Lighting Design and Design Elements are ©2018 by Jonathan Browning Studios, Inc.

## CHATELET SCONCE

### DESCRIPTION

The Chatelet Sconce is machined from solid brass. All parts are hand polished and patina'd. The lead crystal shade is hand carved and polished.

### FINISHES

Shown in Oil Rubbed Bronze (standard). Please inquire about our other finishes. Note: All finishes may vary slightly.

### SHADE

Lead Crystal in either Clear or Canary.

MODEL #	DIMENSIONS	NET WT.
1 7 0 7	4.5W x 6.75D x 17.25H*	8 lbs

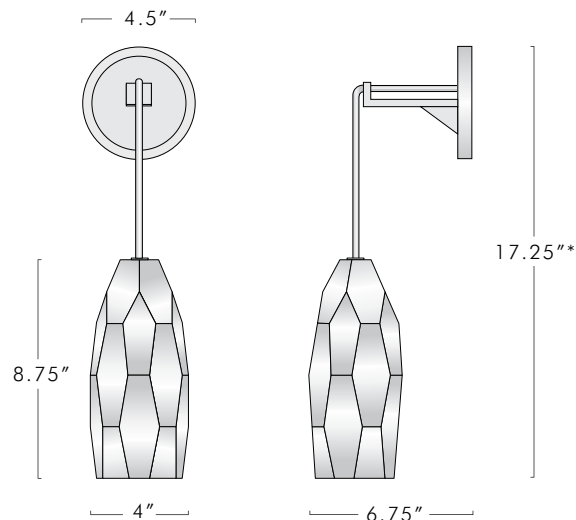
### BACK PLATE / J-BOX

4.5" Diameter / Top to J-Box Center: 2.25"

### ELECTRICAL

1 x E12 5W LED Bulb Only - (40W incandescent equivalent)

\*Custom drop lengths can be specified







## CHAUSSON SCONCE

### DESCRIPTION

The Chausson Sconce is made by hand and machined from thick walled brass. All parts are hand polished and patina'd. The exterior is finished in Black Bronze and the interior is finished in Lite Antique Bronze.

### FINISHES

Shown in Black Bronze exterior and Lite Antique Bronze interior (standard). Please inquire about our other finishes. Note: All finishes may vary slightly.

### SHADE

Brass

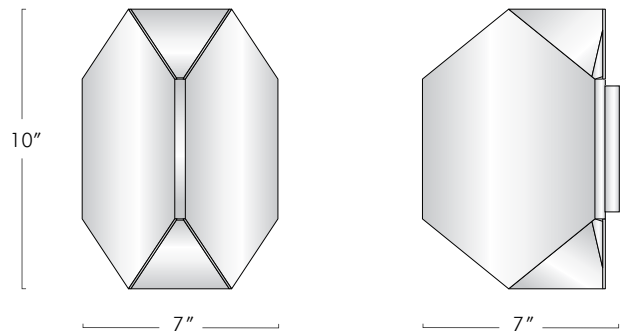
MODEL #	DIMENSIONS	NET WT.
1 7 7 0	7W x 7D x 10H	10 lbs

### BACK PLATE / J-BOX

4.5" Diameter / Top to J-Box Center: 5"

### ELECTRICAL

1 x E26 60W - 75W Max - LED Available







All Lighting Design and Design Elements are ©2018 by Jonathan Browning Studios, Inc.

## CORNICHE SCONCE

### DESCRIPTION

The Corniche Sconce is machined by hand from solid brass. All parts are hand polished and patina'd. The shade is made from ivory silk.

### FINISHES

Shown in Oil Rubbed Bronze (standard). Please inquire about our other finishes. Note: All finishes may vary slightly.

### SHADE

Ivory Silk.

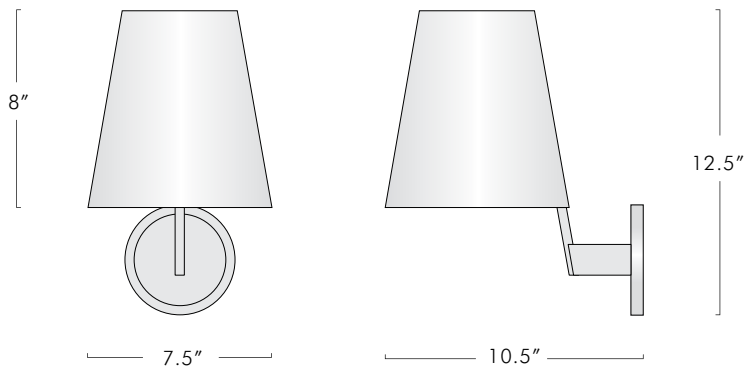
MODEL #	DIMENSIONS	NET WT.
1 8 1 3	7.5 W x 10.5 D x 12.5 H	5 lbs

### BACK PLATE / J-BOX

4.5" Diameter / Top to J-Box center: 10"

### ELECTRICAL

1 x E12 4W LED - 40W Max - LED Standard









All Lighting Design and Design Elements are ©2010 by Jonathan Browning Studios, Inc.

## DAUPHINE SCONCE

### DESCRIPTION

The Dauphine Sconce has been machined completely by hand. All parts are hand polished and plated. The metal shade is individually turned on a lathe.

### FINISHES

Shown in Oil Rubbed Bronze (standard). Please inquire about our other finishes. Note: All finishes may vary slightly.

### SHADE

Metal. Also available in Clear Glass, Frosted Glass, and Silk.

### MODEL #

1 0 0 4

### DIMENSIONS

4.5 W x 26.5 H x 5 D

### NET WT.

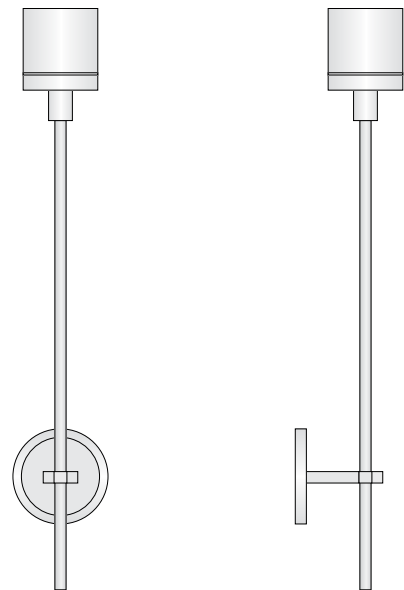
5 lbs

### BACK PLATE / J-BOX

4.5" Diameter / Top to J-Box center: 21"

### ELECTRICAL

1 x E12 - 60w max - LED Available







All Lighting Design and Design Elements are ©2023 by Jonathan Browning Studios, Inc.

## DESSAY SCNCE

### DESCRIPTION

The Dessay Sconce is machined from solid brass. All parts are hand polished and patina'd. The shade is made from ivory silk.

### FINISHES

Shown in Oil Rubbed Bronze (standard). Please inquire about our other finishes. Note: All finishes may vary slightly.

### SHADE

Ivory Silk.

### MODEL #

2311

### DIMENSIONS

5 W x 6.5 D x 16.5 H

### NET WT.

8 lbs

### BACK PLATE / J-BOX

Top to J-Box center: 8.25"

### ELECTRICAL

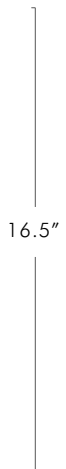
1 x E26 T9L 5W LED bulb only



5"



6.5"



16.5"







## DESSAY DOUBLE SCONCE

### DESCRIPTION

The Dessay Double Sconce is machined from solid brass. All parts are hand polished and patina'd. The shades are made from ivory silk.

### FINISHES

Shown in Lite Antique Bronze and Oil Rubbed Bronze (standard). Please inquire about our other finishes. Note: All finishes may vary slightly.

### SHADE

Ivory Silk.

### MODEL #

2 3 1 0

### DIMENSIONS

20.5 W x 6.75 D x 6 H

### NET WT.

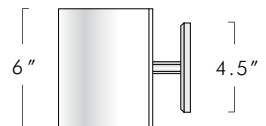
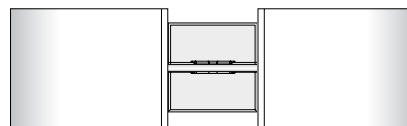
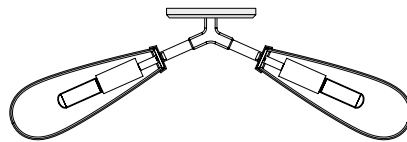
4 lbs

### BACK PLATE / J-BOX

4.5" Square - Top to J-Box center: 3"

### ELECTRICAL

2 x E12 T6 4W LED bulb only



20.5"

6" 4.5" 6.75"









All Lighting Design and Design Elements are ©2020 by Jonathan Browning Studios, Inc.

## DUVERNOIS SCONCE

### DESCRIPTION

The Duvernois Sconce is made of solid brass. All parts are hand polished and patina'd. The frosted glass shade is surrounded by a column of brass fins.

### FINISHES

Shown in Lite Antique Bronze (standard). Please inquire about our other finishes. Note: All finishes may vary slightly.

### SHADE

Frosted Glass.

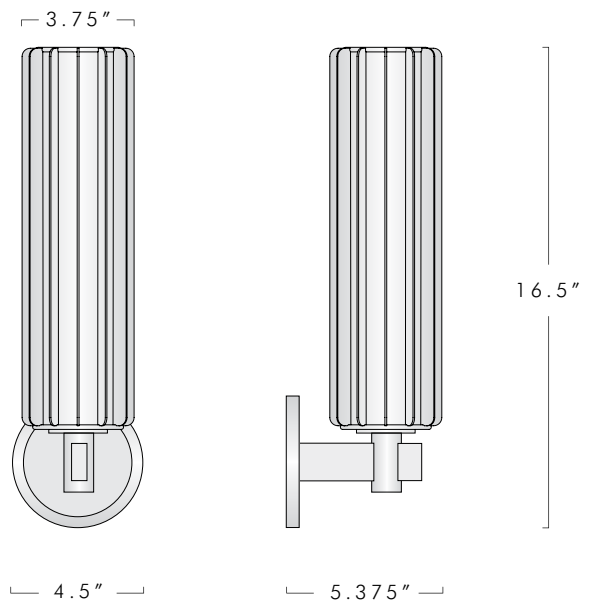
MODEL #	DIMENSIONS	NET WT.
1 9 3 2	4.5 W x 5.375 D x 16.5 H	8 lbs

### BACK PLATE / J-BOX

4.5" Diameter / Top to J-Box center: 14.25"

### ELECTRICAL

1 x E26 40W - 75W Max - LED Available







All Lighting Design and Design Elements are ©2015 by Jonathan Browning Studios, Inc.

## FONTENAY SCONCE

### DESCRIPTION

The Fontenay Sconce is handmade of lead crystal. The backplate and socket cover are turned by hand from solid brass.

### FINISHES

Shown in Black Bronze (standard). Please inquire about our other finishes. Note: All finishes may vary slightly.

### SHADE

Lead Crystal.

### MODEL #

1 5 0 2

### DIMENSIONS

5.125 W x 7.5 D x 26 OAH\*

### NET WT.

9 lbs

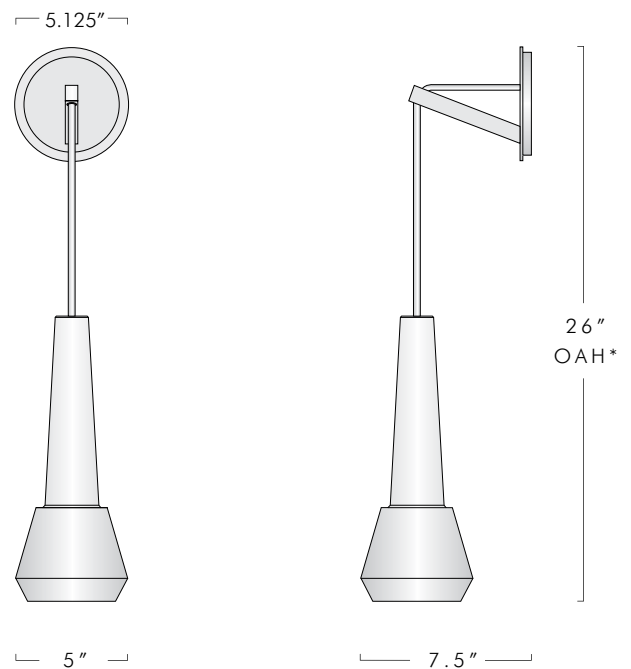
### BACK PLATE / J-BOX

5.125" Diameter / Top to J-Box center: 2.5"

### ELECTRICAL

1 x 5w LED Bulb Only - (40w incandescent equivalent)  
Warm White, Dimmable

\*Custom drop lengths can be specified.







CLEAR CRYSTAL



OPALESCENT CRYSTAL

## FRANCAIX SCONCE

### DESCRIPTION

The Francaix Sconce is machined from solid brass. All parts are hand polished and patina'd. The lead crystal panels are machined and polished by hand.

### FINISHES

Shown in Oil Rubbed Bronze (standard). Please inquire about our other finishes. Note: All finishes may vary slightly.

### SHADE

Crystal in both a clear and opalescent option.

### MODEL #

1 9 2 0

### DIMENSIONS

6.5 W x 5.63 D x 17.25 H

### NET WT.

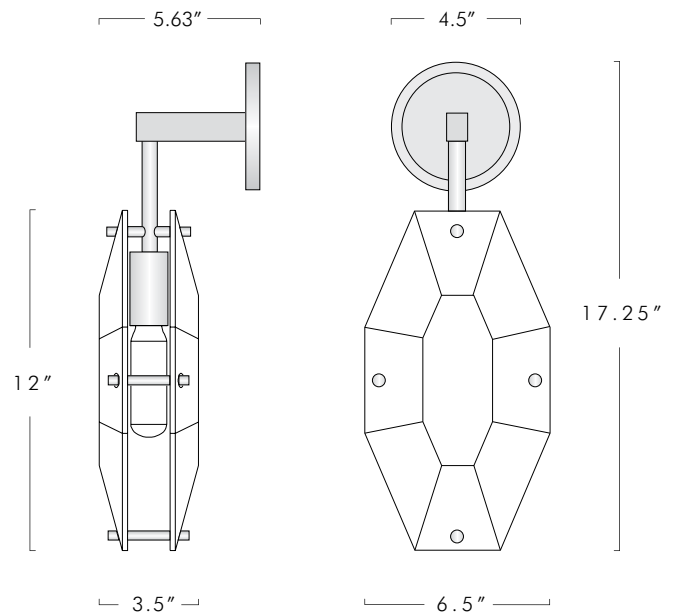
10 lbs

### BACK PLATE / J-BOX

4.5" Diameter / Top to J-Box center: 2.25"

### ELECTRICAL

1 x E26 40w - 60watt max - LED Available









All Lighting Design and Design Elements are ©2018 by Jonathan Browning Studios, Inc.

## GLAÇON SQUARE SCONCE

### DESCRIPTION

The Glaçon Square Sconce is machined from solid brass. All parts are hand polished and patina'd. Each lead crystal half is hand carved and polished, held in place by 4 individual brass pins. The brass band secures each piece of crystal to the wall plate.

### FINISHES

Shown in Lite Antique and Oil Rubbed Bronze (standard). Please inquire about our other finishes. Note: All finishes may vary slightly.

### SHADE

Lead Crystal.

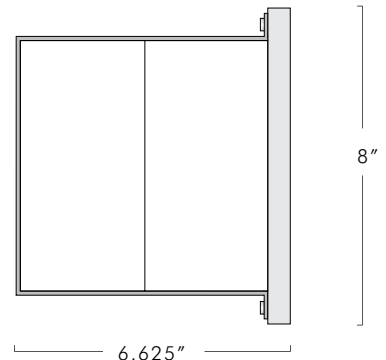
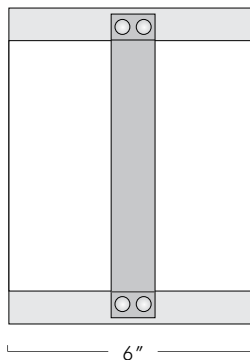
MODEL #	DIMENSIONS	NET WT.
1 7 8 0	6 W x 6.625 D x 8 H	30 lbs

### BACK PLATE / J-BOX

6" W x 8" H - Top to J-Box center: 4"  
Additional blocking or anchoring may be required.

### ELECTRICAL

1 x E12 25W - 40W Max - LED Available







## GLAÇON TALL SCONCE

### DESCRIPTION

The Glaçon Tall Sconce is machined from solid brass. All parts are hand polished and patina'd. The lead crystal is hand carved and polished. The brass band secures the crystal to the wall plate.

### FINISHES

Shown in Lite Antique Bronze and Oil Rubbed Bronze (standard). Please inquire about our other finishes. Note: All finishes may vary slightly.

### SHADE

Lead Crystal.

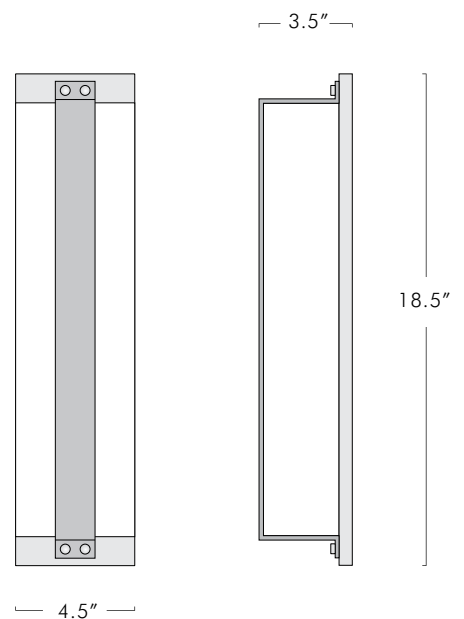
MODEL #	DIMENSIONS	NET WT.
1 7 7 9	4.5 W x 3.5 D x 18.5 H	22 lbs

### BACK PLATE / J-BOX

4.5" W x 18.5" H / Top to J-Box center: 9.25"  
Additional blocking or anchoring may be required.

### ELECTRICAL

1 x E26 40W - 60W Max - LED Available









## GLAÇON SHORT SCONCE

### DESCRIPTION

The Glaçon Short Sconce is machined from solid brass. All parts are hand polished and patina'd. The lead crystal is hand carved and polished. The brass band secures the crystal to the wall plate.

### FINISHES

Shown in Lite Antique Bronze and Oil Rubbed Bronze (standard). Please inquire about our other finishes. Note: All finishes may vary slightly.

### SHADE

Lead Crystal.

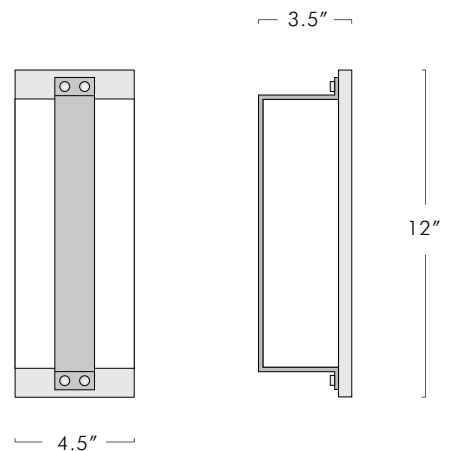
MODEL #	DIMENSIONS	NET WT.
1 7 7 8	4.5 W x 3.5 D x 12 H	18 lbs

### BACK PLATE / J-BOX

4.5" W x 12" H / Top to J-Box center: 6"  
Additional blocking or anchoring may be required.

### ELECTRICAL

1 x E26 40W - 60W Max - LED Available









All Lighting Design and Design Elements are ©2018 by Jonathan Browning Studios, Inc.

## GLAÇON SINGLE LIGHT

### DESCRIPTION

The Glaçon Single Light is machined from solid brass. All parts are hand polished and patina'd. The lead crystal is hand carved and surrounds a mirrored bulb. This can be used as a sconce or a ceiling flush mount.

### FINISHES

Shown in Oil Rubbed Bronze (standard). Please inquire about our other finishes. Note: All finishes may vary slightly.

### SHADE

Lead Crystal.

### MODEL #

1 8 2 6

### DIMENSIONS

5.5 W x 4.15 D x 5.5 H

### NET WT.

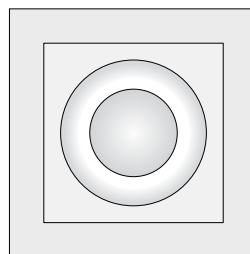
5 lbs

### BACK PLATE / J-BOX

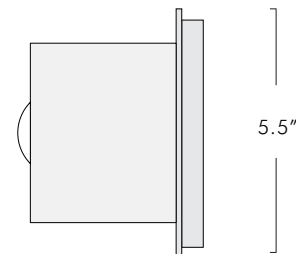
5.5"W x 5.5"H / Top to J-Box center: 2.75"

### ELECTRICAL

1 x E12 40W - 60 W Max - LED Available



5.5"



5.5"

4.15"







All Lighting Design and Design Elements are ©2018 by Jonathan Browning Studios, Inc.

## GLAÇON 4 LIGHT

### DESCRIPTION

The Glaçon 4 Light is machined from solid brass. All parts are hand polished and patina'd. Each lead crystal is hand carved surrounding four mirrored bulbs. This can be mounted on the ceiling or wall.

### FINISHES

Shown in Oil Rubbed Bronze (standard). Please inquire about our other finishes. Note: All finishes may vary slightly.

### SHADE

Lead Crystal.

### MODEL #

1 8 2 3

### DIMENSIONS

11 W x 4.15 D x 11 H

### NET WT.

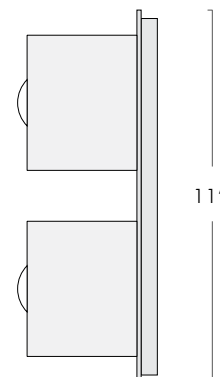
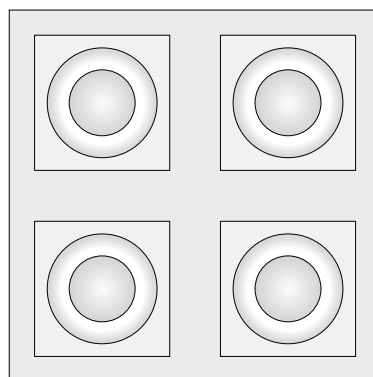
20 lbs

### BACK PLATE / J-BOX

11"W x 11"H / Top to J-Box center: 5.5"

### ELECTRICAL

4 x E12 40W - 240W Max - LED Available









All Lighting Design and Design Elements are ©2018 by Jonathan Browning Studios, Inc.

## LECLERC SCONCE

### DESCRIPTION

The Leclerc Sconce is machined from solid brass. All parts are hand polished and patina'd.

### FINISHES

Shown in Lite Antique exterior and Oil Rubbed Bronze interior (standard). Please inquire about our other finishes.

Note: All finishes may vary slightly.

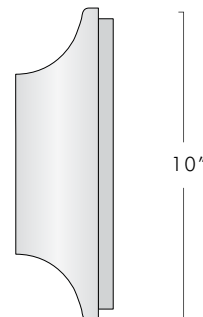
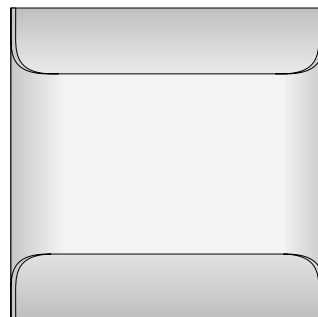
MODEL #	DIMENSIONS	NET WT.
1787	10W x 3.125D x 10H	10 lbs

### BACK PLATE / J-BOX

10" W x 10" H - Top to J-Box center: 5"

### ELECTRICAL

2 x E26 5.5 W - LED filament bulb only









**LE PENTAGONE SCONCE**

**DESCRIPTION**

The Le Pentagone Sconce is machined by hand from solid brass. All parts are hand polished and patina'd. This sconce can be oriented vertically, horizontally or angled.

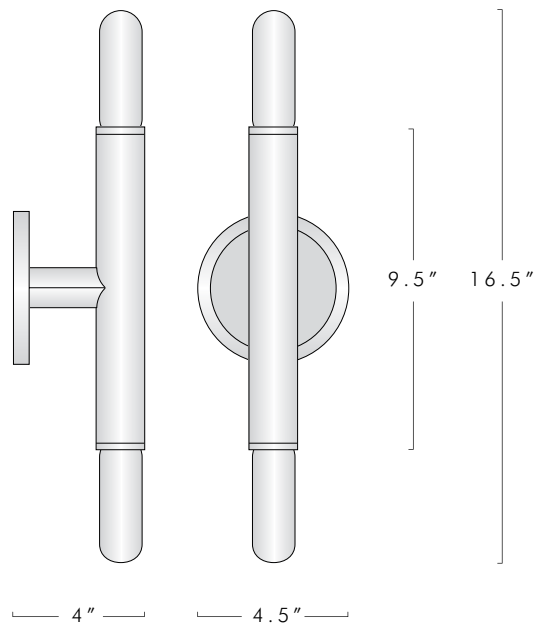
**FINISHES**

Shown in Oil Rubbed Bronze (standard). Please inquire about our other finishes. Note: All finishes may vary slightly.

MODEL #	DIMENSIONS	NET WT.
1 6 0 4	4.5 W x 4 D x 16.5 H	5 lbs

**BACK PLATE / J-BOX**  
4.5" Diameter

**ELECTRICAL**  
2 x E26 25w - 120w max - LED Available







## MALLET SWING ARM SCONCE

### DESCRIPTION

The Mallet Swing Arm Sconce is machined by hand from solid brass. The shade and arm are made from thick-walled brass tubing. All parts are hand polished and patina'd. There are two pivot points to create a wide range of depth adjustments.

### FINISHES

Shown in Oil Rubbed Bronze (standard). Please inquire about our other finishes. Note: All finishes may vary slightly.

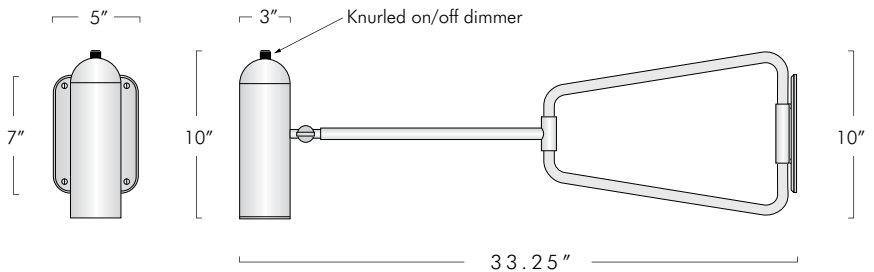
### SHADE

Brass with frosted diffuser or lens.

<b>MODEL #</b>	<b>DIMENSIONS</b>	<b>NET WT.</b>
2 2 2 0	5 W x 33.25 D x 10 H	10 lbs

**BACK PLATE / J-BOX**  
5"W x 7"H / Top to J-Box center: 5"

**ELECTRICAL**  
1 x GU10 6W LED Only







All Lighting Design and Design Elements are ©2008 by Jonathan Browning Studios, Inc.

## M A R A I S   S C O N C E

### DESCRIPTION

The Marais Sconce has been machined completely by hand from solid brass. All parts are hand polished and plated. The diffuser is borosilicate glass that is bead blasted.

### FINISHES

Shown in Oil Rubbed Bronze (standard). Please inquire about our other finishes. Note: All finishes may vary slightly.

### SHADE

Frosted Glass. Also available in Reeded Borosilicate Glass.

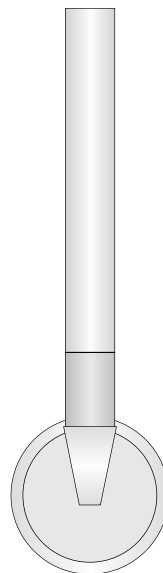
MODEL #	DIMENSIONS	NET WT.
0 8 0 2	4.5 W x 17 H x 4.5 D	3 lbs

### BACK PLATE / J-BOX

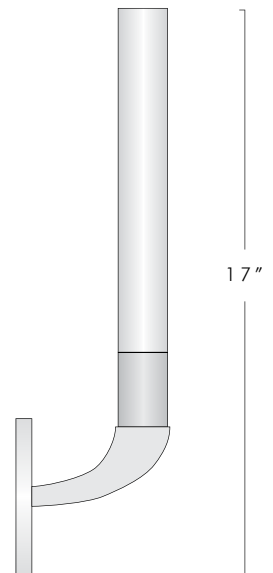
4.5" Diameter / Top to J-Box center: 13.5"

### ELECTRICAL

1 x E26 40w - 75w max - LED Available



4.5"



4.5"

17"









## MEUDON SCONCE

### DESCRIPTION

The Meudon Sconce is machined by hand from solid brass. Its linear body allows for either two T10 bulbs top and bottom, or one long T8 bulb. The half-round brass shield provides an even diffused light.

### FINISHES

Shown in Black Bronze (standard). Please inquire about our other finishes. Note: All finishes may vary slightly.

MODEL #	DIMENSIONS	NET WT.
1 4 0 0	3 W x 24 H x 4.5 D	14 lbs

### BACK PLATE / J-BOX

Top to J-Box center: 12"

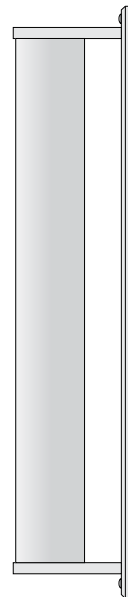
Some additional blocking may be required.

### ELECTRICAL

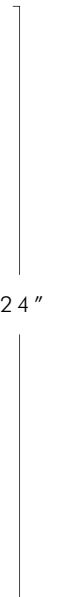
2 x E26 40w - 150w max - LED Available  
(2" x 3" junction box required)



3"



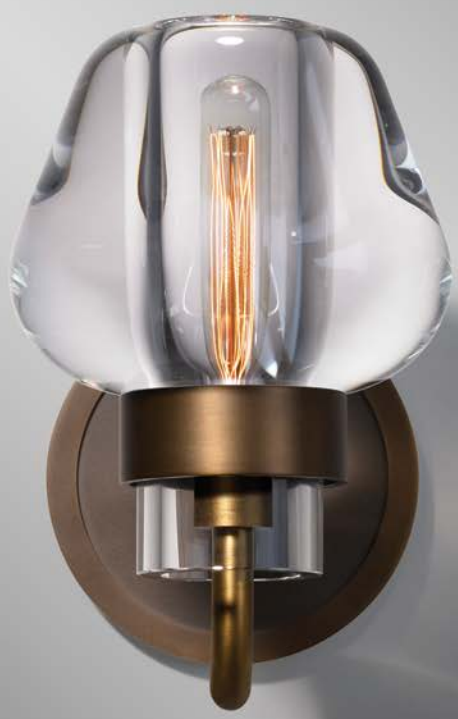
4.5"



24"







All Lighting Design and Design Elements are ©2016 by Jonathan Browning Studios, Inc.

## MONTALEMBERT SCONCE

### DESCRIPTION

The Montalembert sconce is machined by hand from solid brass. All parts are hand polished and patina'd. The lead crystal shade is hand carved and polished.

### FINISHES

Shown in Oil Rubbed and Lite Antique Bronze (standard). Please inquire about our other finishes. Note: All finishes may vary slightly.

### SHADE

Lead Crystal.

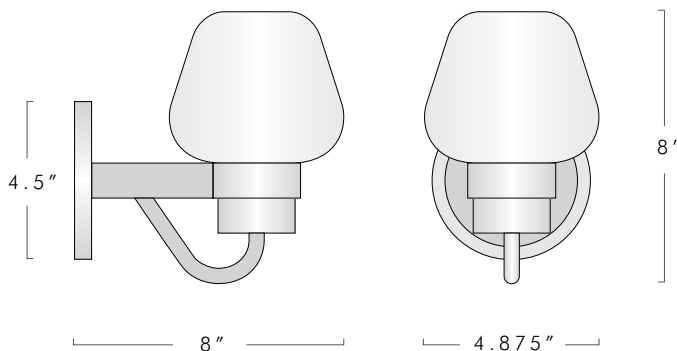
MODEL #	DIMENSIONS	NET WT.
1601	4.875 W x 8 D x 8 H	8 lbs

### BACK PLATE / J-BOX

4.5" Diameter / Top to J-Box center: 4.875"

### ELECTRICAL

1 x E12 25w - 60w max - LED Available







All Lighting Design and Design Elements are ©2015 by Jonathan Browning Studios, Inc.

## MONTFAUCON SINGLE SCONCE

### DESCRIPTION

The Montfaucou Single Sconce is made of solid brass. The hand made shade is made of unglazed white porcelain. All metal parts are hand polished and patina'd.

### FINISHES

Shown in Oil Rubbed Bronze (standard). Please inquire about our other finishes. Note: All finishes may vary slightly.

### SHADE

Unglazed Porcelain. Due to the hand-made nature of these porcelain shades, the thickness, height and texture will vary slightly.

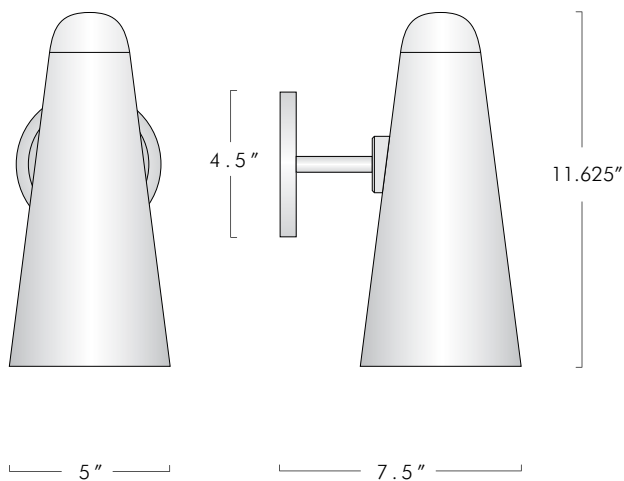
MODEL #	DIMENSIONS	NET WT.
1 5 0 3	5 W x 11 H x 7 D	5 lbs

### BACK PLATE / J-BOX

4.5" Diameter / Top to J-Box center: 4.75"

### ELECTRICAL

1 x 8w LED Bulb - (75w incandescent equivalent)  
Warm White, Dimmable









All Lighting Design and Design Elements are ©2019 by Jonathan Browning Studios, Inc.

## PASTIS SCONCE

### DESCRIPTION

The Pastis Sconce is machined from solid brass. All parts are hand polished and patina'd. The reeded borosilicate glass shade is notched to delicately rest on the brass arm.

### FINISHES

Shown in Oil Rubbed Bronze (standard). Please inquire about our other finishes. Note: All finishes may vary slightly.

### SHADE

Reeded Borosilicate Glass. Two available sizes: 8.5" and 12.5" (shown in photos and line drawings).

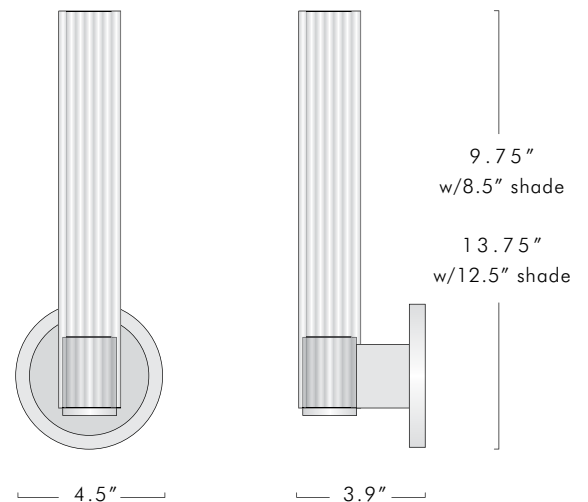
MODEL #	DIMENSIONS	NET WT.
2 1 2 3	4.5 W x 3.9 D x 13.75 H	4 lbs

### BACK PLATE / J-BOX

4.5" Diameter

### ELECTRICAL

1 x E26 60W T10 (8.5" glass version) - LED Available  
 1 x E26 75W T8 (12.5" glass version) - LED Available







**PASTIS DOUBLE SCONCE**

**DESCRIPTION**

The Pastis Double Sconce is machined from solid brass. All parts are hand polished and patina'd. The reeded borosilicate glass shades are notched to delicately rest on each brass arm.

**FINISHES**

Shown in Oil Rubbed Bronze (standard). Please inquire about our other finishes. Note: All finishes may vary slightly.

**SHADE**

Reeded Borosilicate Glass.

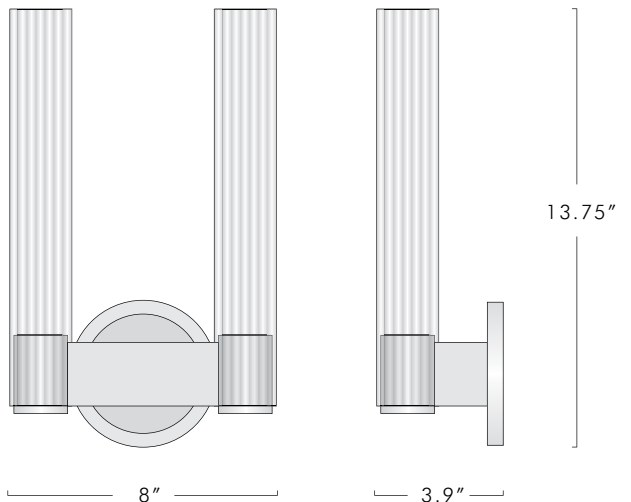
MODEL #	DIMENSIONS	NET WT.
2 2 0 5	8" W x 3.9" D x 13.75" H	5 lbs

**BACK PLATE / J-BOX**

4.5" Diameter / Top to J-Box center: 11.5"

**ELECTRICAL**

2 x E26 40W - 120W Max - LED Available







## PLATIERE SCONCE

### DESCRIPTION

The Platiere Sconce is machined from solid brass. All parts are polished and patina'd. The shades are handmade of white frosted soda-lime glass.

### FINISHES

Shown in Oil Rubbed Bronze (standard). Please inquire about our other finishes. Note: All finishes may vary slightly.

### SHADE

White frosted soda-lime glass.

### MODEL #

1 7 1 9

### DIMENSIONS

4.5 W x 5.75 D x 16.5 H

### NET WT.

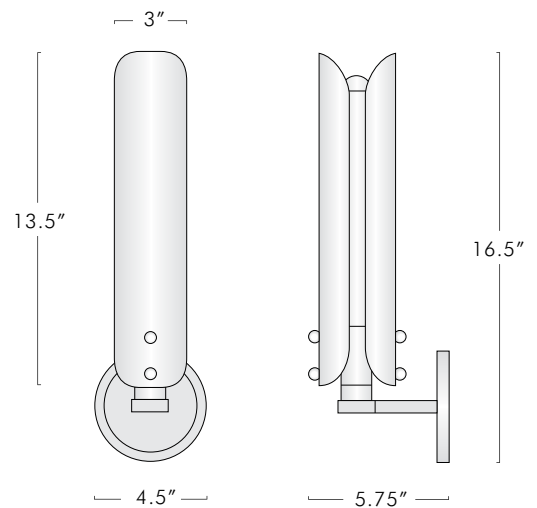
4 lbs

### BACK PLATE / J-BOX

4.5" Diameter / Top to J-Box center: 14.25"

### ELECTRICAL

1 x E26 40W - 75W Max - LED Available









## PLATIERE DOUBLE SCONCE

### DESCRIPTION

The Platiere Double Sconce is machined from solid brass. All parts are polished and patina'd. The shades are handmade of white frosted soda-lime glass.

### FINISHES

Shown in Oil Rubbed Bronze (standard). Please inquire about our other finishes. Note: All finishes may vary slightly.

### SHADE

White frosted soda-lime glass.

### MODEL #

1 7 2 0

### DIMENSIONS

10.5 W x 5.75 D x 16.5 H

### NET WT.

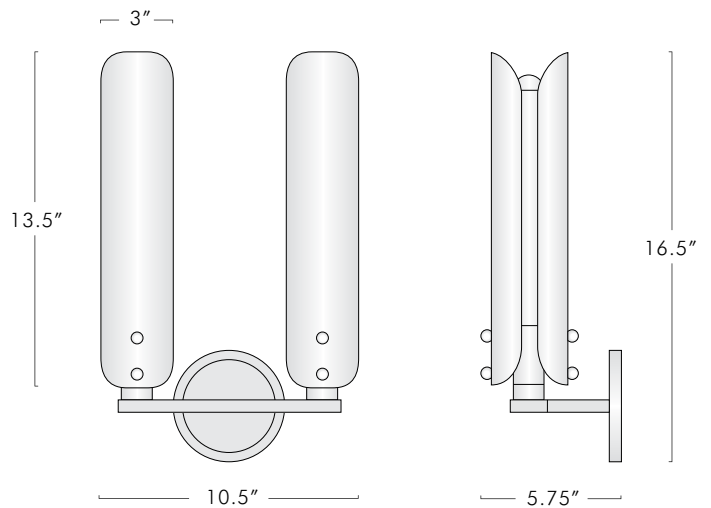
5 lbs

### BACK PLATE / J-BOX

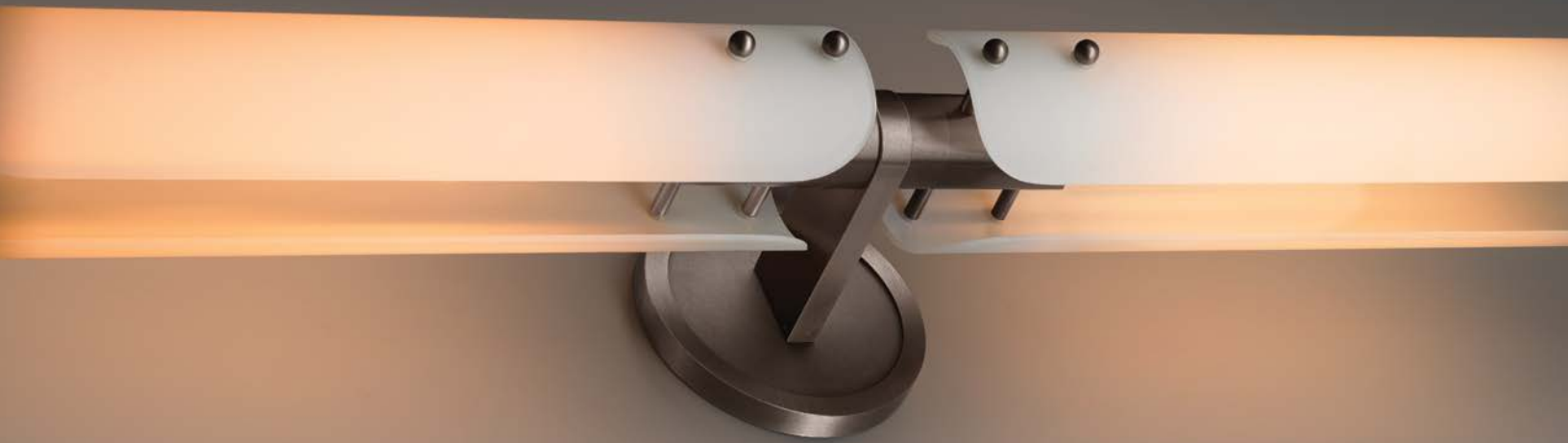
4.5" Diameter / Top to J-Box Center: 14.25"

### ELECTRICAL

2 x E26 40W - 150W Max - LED Available







## PLATIERE VANITY SCONCE

### DESCRIPTION

The Platiere Vanity Sconce is machined from solid brass. All parts are polished and patina'd. The shades are handmade of white frosted soda-lime glass. This can be mounted horizontally or vertically.

### FINISHES

Shown in Oil Rubbed Bronze (standard). Please inquire about our other finishes. Note: All finishes may vary slightly.

### SHADE

White frosted soda-lime glass.

### MODEL #

1 8 1 9

### DIMENSIONS

28.5 W x 5.75 D x 4.5 H

### NET WT.

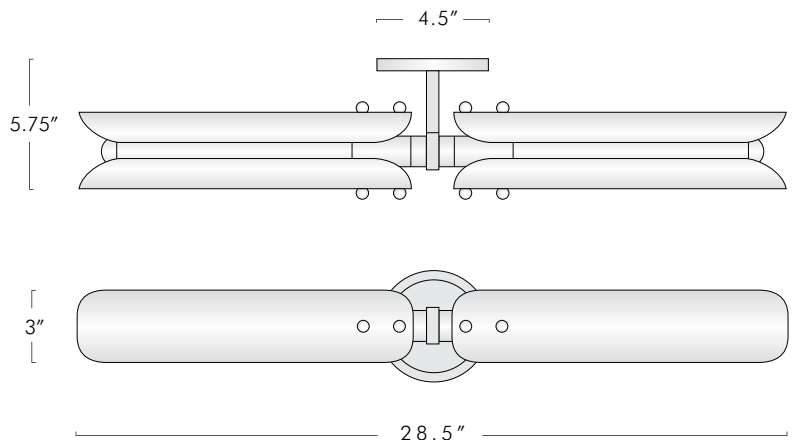
6 lbs

### BACK PLATE / J-BOX

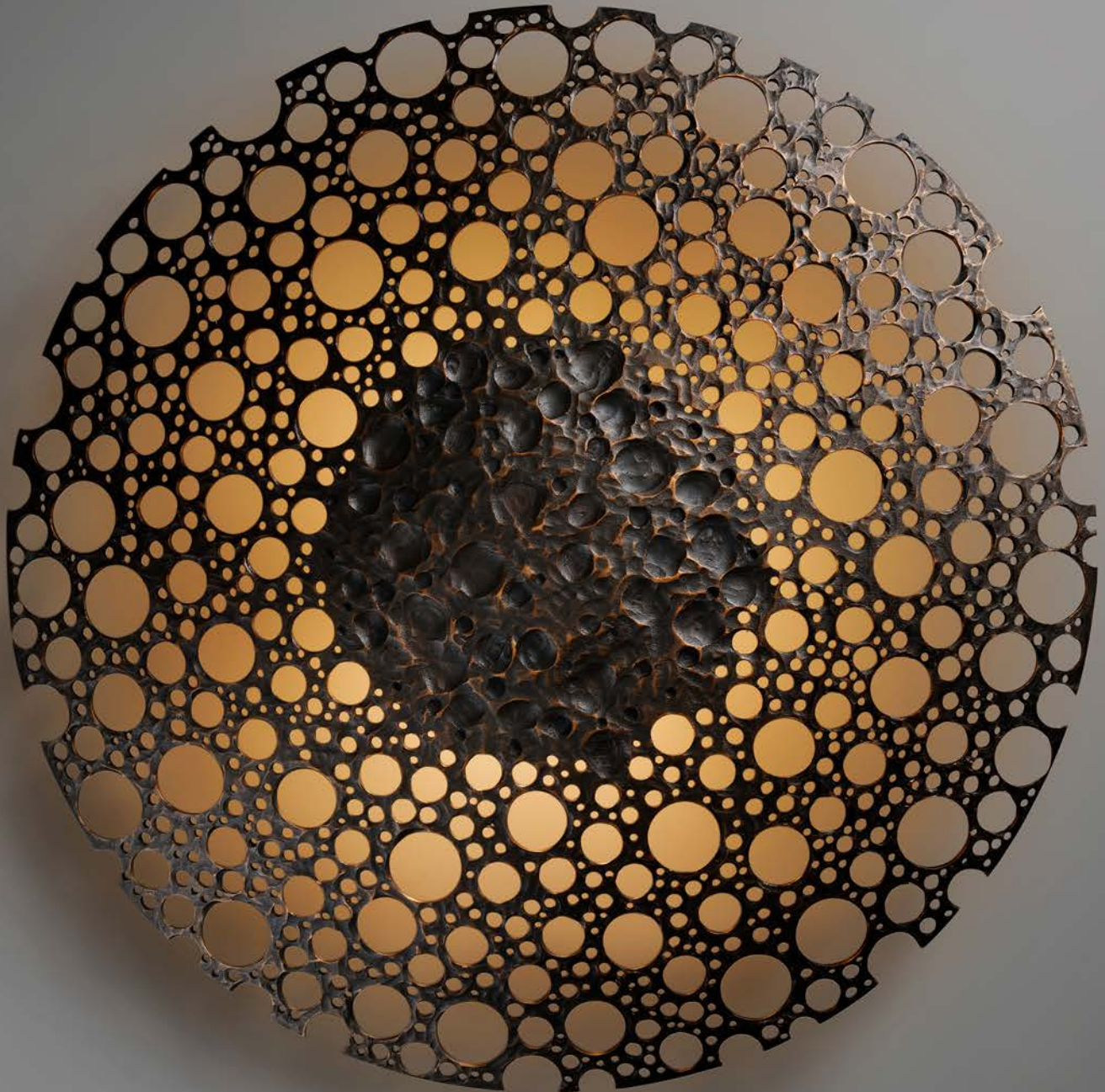
4.5" Diameter / Top to J-Box center: 2.25"

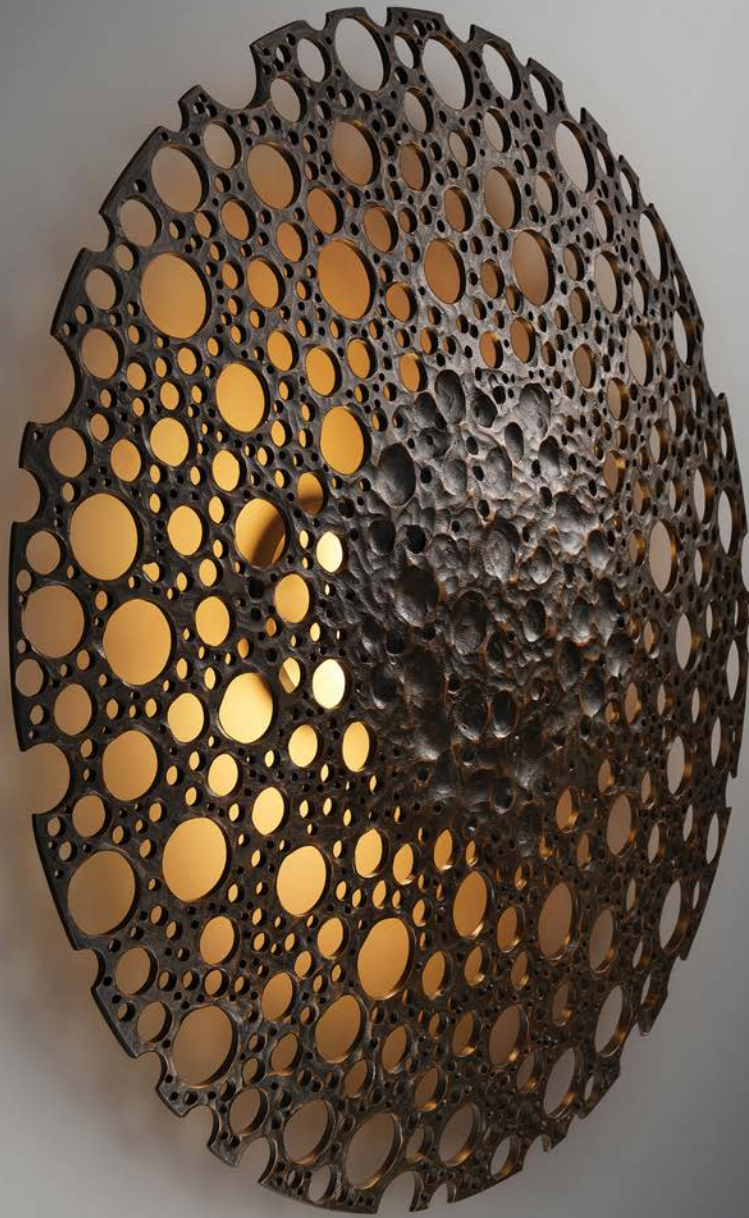
### ELECTRICAL

2 x E26 40w - 150w max - LED Available









## SHIELD SCONCE

### DESCRIPTION

The Shield Sconce casting is made of solid brass. Its body has been cast from a master carving using the investment cast process. The back plate and stem have been machined by hand. All parts are hand polished and plated. The diffuser is borosilicate glass that is bead blasted.

### FINISHES

Shown in Oil Rubbed Bronze with Black Bronze wall plate. Also available in Light Antique Bronze, Matte Nickel and Black Bronze. Note: All finishes may vary slightly.

### SHADE

Textured Brass

### MODEL #

2304

### DIMENSIONS

24 DIA x 4.5 D

### NET WT.

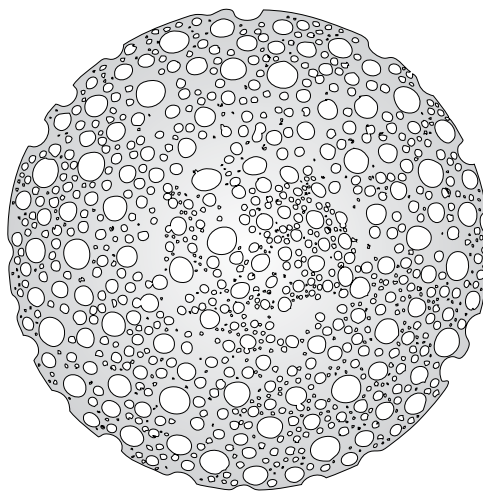
18 lbs

### BACK PLATE / J-BOX

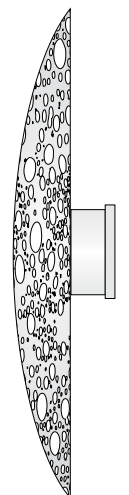
4.5" Diameter - Centers on J-Box

### ELECTRICAL

4 x G9 3.5W LED bulb only



24" Diameter



4.5"

DIMMABLE  
2700K







All Lighting Design and Design Elements are ©2016 by Jonathan Browning Studios, Inc.

## VALDAMPIERRE SCONCE

### DESCRIPTION

The Valdampierre Sconce is machined from solid brass. All parts are hand polished and patina'd. The lead crystal shade is carved and polished by hand.

### FINISHES

Shown in Oil Rubbed Bronze (standard). Please inquire about our other finishes. Note: All finishes may vary slightly.

### SHADE

Lead Crystal.

### MODEL #

1 6 7 4

### DIMENSIONS

19.25 H x 4.5 W x 7 D

### NET WT.

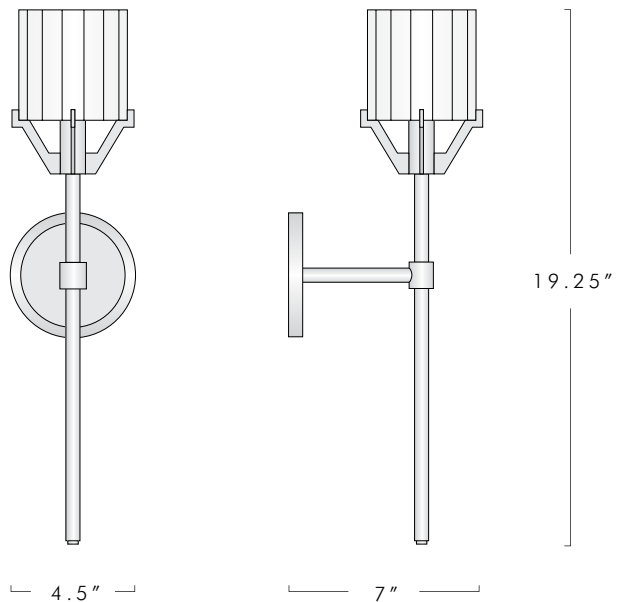
7 lbs

### BACK PLATE / J-BOX

4.5" Diameter / Top to J-Box center: 9.625"

### ELECTRICAL

1 x E12 25w - 60w max - LED Available







All Lighting Design and Design Elements are ©2022 by Jonathan Browning Studios, Inc.

## VALETTE SCONCE

### DESCRIPTION

The Valette Sconce is machined by hand from solid brass. The shade is hand-blown and precision-cut to acquire the unique shape. All parts are hand polished and patina'd.

### FINISHES

Shown in Oil Rubbed Bronze (standard). Please inquire about our other finishes. Note: All finishes may vary slightly.

### SHADE

Clear Glass.

### MODEL #

2 2 2 3

### DIMENSIONS

4.5 W x 8 D x 8.5 H

### NET WT.

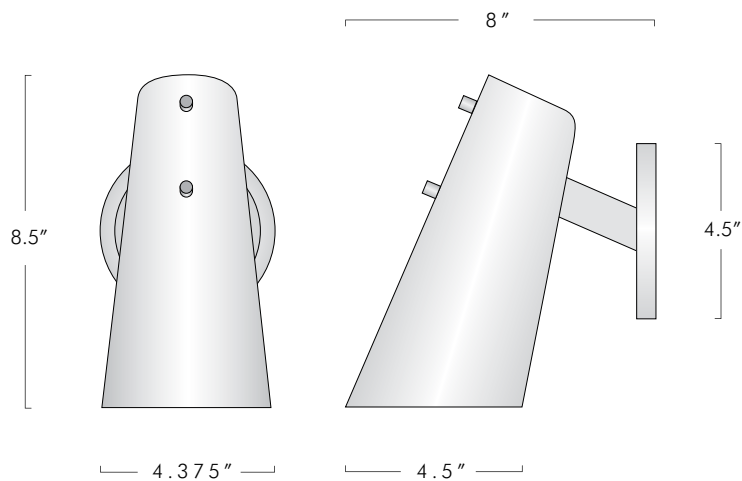
4.5 lbs

### BACK PLATE / J-BOX

4.5" Diameter / Top to J-Box center: 4"

### ELECTRICAL

1 x E12 4W LED bulb







## VENTOUX SCONCE

### DESCRIPTION

This reinterpretation of our original Ventoux Sconce is machined from solid brass. All parts are hand polished and patina'd. The metal shade is turned by hand on a lathe. The borosilicate glass shade is fire polished.

### FINISHES

Shown in Oil Rubbed Bronze (standard). Please inquire about our other finishes. Note: All finishes may vary slightly.

### SHADE

Shown with a frosted borosilicate shade. Also available with a clear borosilicate shade and a frosted diffuser.

### MODEL #

1 8 3 6

### DIMENSIONS

4.5 W x 18.62 H x 6.5 D

### NET WT.

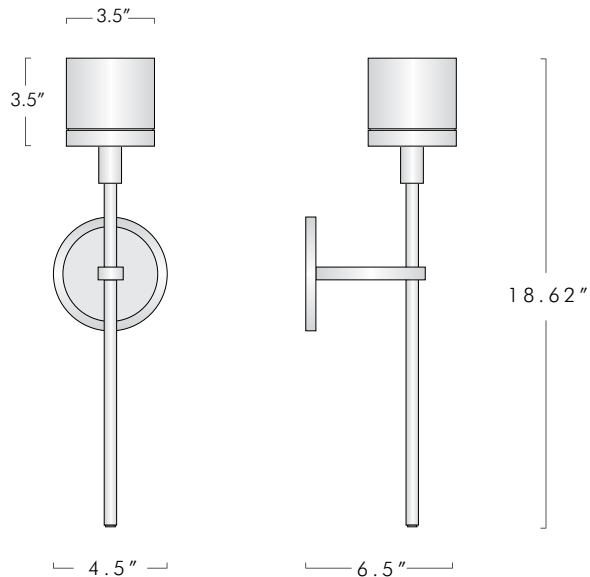
5 lbs

### BACK PLATE / J-BOX

4.5" Diameter / Top to J-Box center: 8"

### ELECTRICAL

1 x E12 40W - 60W max - LED available









## VENTOUX DOUBLE ARM SCONCE

### DESCRIPTION

This reinterpretation of our original Ventoux Double Arm Sconce is machined from solid brass. All parts are hand polished and patina'd. The metal shades are turned by hand on a lathe. The borosilicate glass shades are fire polished.

### FINISHES

Shown in Oil Rubbed Bronze (standard). Please inquire about our other finishes. Note: All finishes may vary slightly.

### SHADE

Brass. Also available in Clear Glass with Diffuser or Frosted Glass.

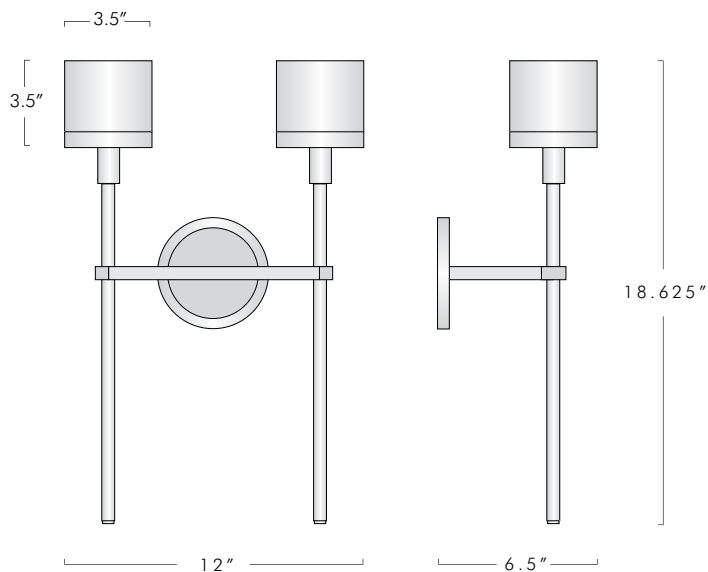
MODEL #	DIMENSIONS	NET WT.
0 5 1 4	12 W x 18.625 H x 6.5 D	8 lbs

### BACK PLATE / J-BOX

4.5" Diameter / Top to J-Box center: 8.5"

### ELECTRICAL

2 x E12 40W - 120W Max - LED Available







All Lighting Design and Design Elements are ©2007 by Jonathan Browning Studios, Inc.

## VINCENNES SCONCE

### DESCRIPTION

The Vincennes Sconce is machined by hand from solid brass. All parts are hand polished and plated. The brass shade is individually turned on a lathe.

### FINISHES

Shown in Oil Rubbed Bronze (standard). Please inquire about our other finishes. Note: All finishes may vary slightly.

### SHADE

Brass. Please inquire about our other shade options.

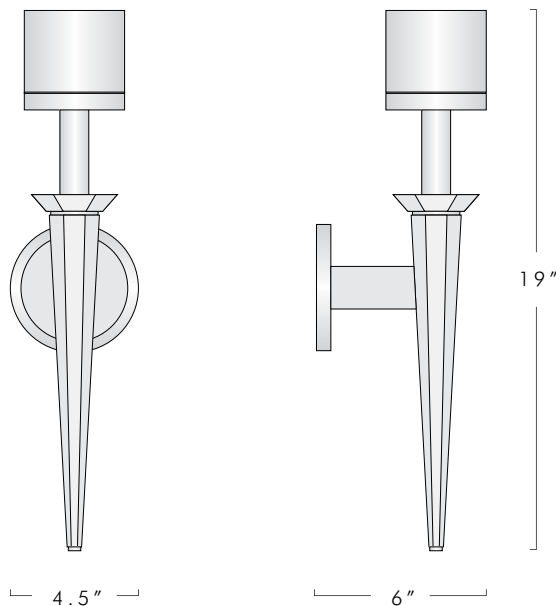
MODEL #	DIMENSIONS	NET WT.
0704	4.5 W x 19 H x 6 D	7 lbs

### BACK PLATE / J-BOX

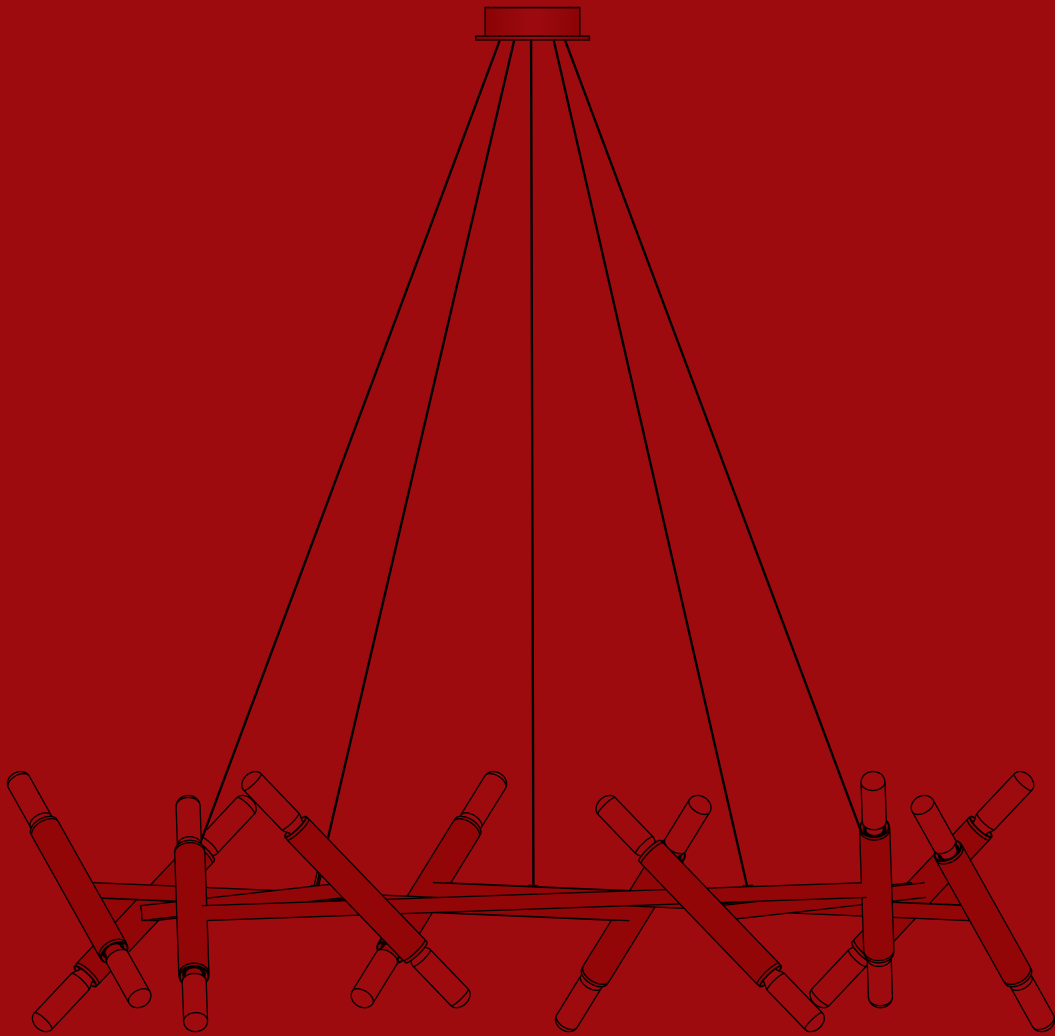
4.5" Diameter / Top to J-Box center: 9.5"

### ELECTRICAL

1 x E12 40w - 60w max - LED available



# CEILING FIXTURES









## ALOUETTE CHANDELIER

### DESCRIPTION

The Alouette Chandelier is machined by hand from solid brass. The shades are reeded borosilicate glass. All parts are hand polished and patina'd or plated.

### FINISHES

Shown in Lite Antique Bronze and Oil Rubbed Bronze (standard). Please inquire about our other finishes. Note: All finishes may vary slightly.

### SHADE

8.5" Reeded borosilicate glass.

MODEL #	DIMENSIONS	NET WT.
1 5 6 1	60 W x 11 D x 60 OAH*	55 lbs

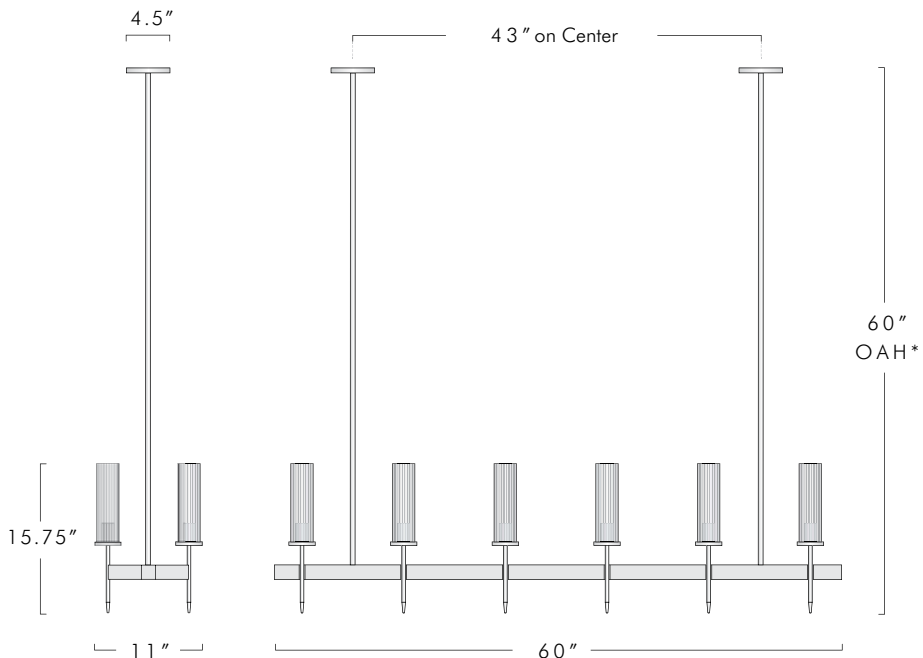
### CEILING PLATE / J-BOX

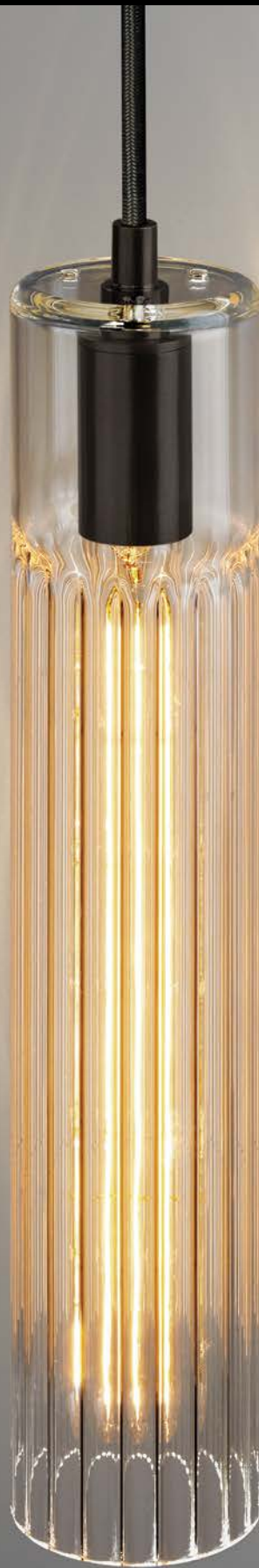
Two 4.5" Circular Ceiling Mounts - 43" on Center  
Some additional blocking may be required.

### ELECTRICAL

12 x E26 40w - 480w max - LED available

\*Custom drop lengths can be specified.







## ALOUETTE PENDANT

### DESCRIPTION

The Alouette Pendant is machined from solid brass. All parts are hand polished and patina'd. It's borosilicate glass shade is fire polished by hand.

### FINISHES

Shown in Oil Rubbed Bronze (standard). Please inquire about our other finishes. Note: All finishes may vary slightly.

### SHADE

Reeded borosilicate glass.

MODEL #	DIMENSIONS	NET WT.
1755	2.4 W x 14.5 H x 60 OAH	3 lbs

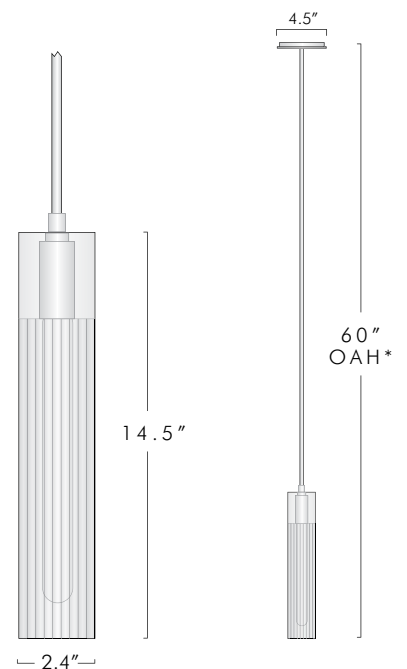
### CEILING PLATE

4.5" Diameter

### ELECTRICAL

1 x E26 3.5w T8 LED

\*Custom drop lengths can be specified.







## APOLLINAIRE CIRCULAR CHANDELIER

### DESCRIPTION

The Apollinaire Circular Chandelier is made up of ten lead crystal pendants which are turned by hand on a lathe. The top plate and socket are also made by hand.

### FINISHES

Black Bronze canopy with Oil Rubbed Bronze socket covers (standard). Please note: All finishes may vary slightly.

### SHADES

Lead Crystal.

### MODEL #

1 6 6 3

### DIMENSIONS

18 DIA x 72 OAH\*

### NET WT.

60 lbs

### CEILING PLATE / J-BOX

18" Diameter - J-Box on center

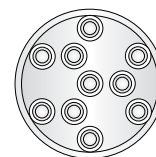
Some additional blocking may be required.

### ELECTRICAL

10 x E12 5w LED Bulb Only - (40w incandescent equivalent)

Total 50w - (400w equivalent), Warm White, Dimmable

\*Custom drop lengths can be specified.



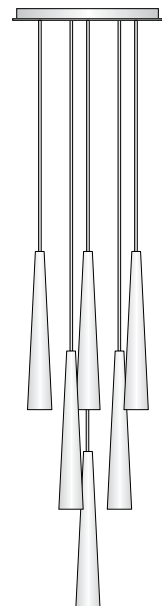
18"

(10 lights)



18"

2.75"



72"  
OAH\*









All Lighting Design and Design Elements are ©2016 by Jonathan Browning Studios, Inc.

## APOLLINAIRE LINEAR CHANDELIER

### DESCRIPTION

The Apollinaire Linear Chandelier is machined by hand from solid brass. It is also hand polished and patina'd. The lead crystal shades are turned and polished by hand.

### FINISHES

Shown in Oil Rubbed and Lite Antique Bronze (standard). Please inquire about our other finishes. Note: All finishes may vary slightly.

### SHADE

Lead Crystal.

### MODEL #

1 6 5 1

### DIMENSIONS

60 W x 11.5 D x 72 OAH\*

### NET WT.

90 lbs

### CEILING PLATE / J-BOX

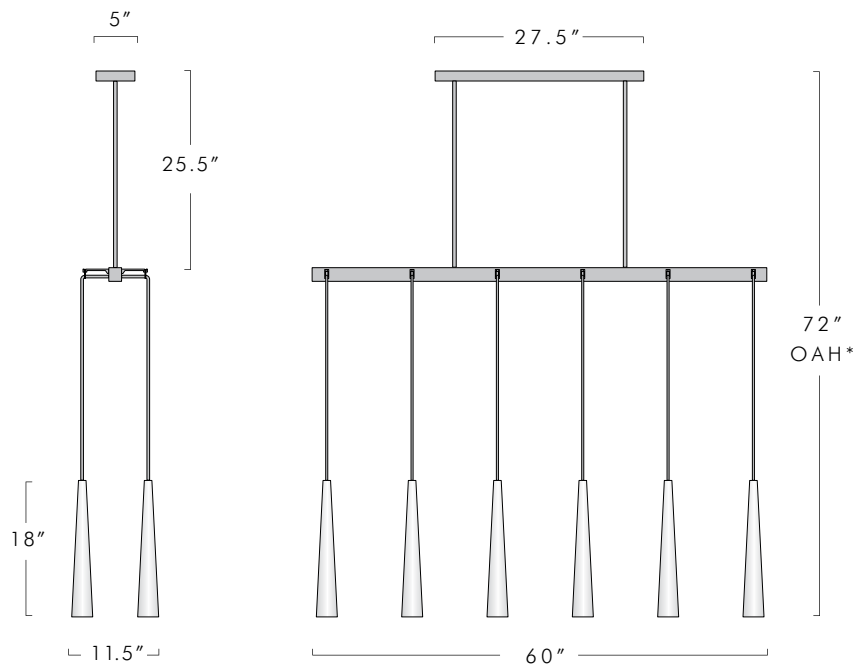
27.5 L x 5 W - J-Box on center

Some additional blocking may be required.

### ELECTRICAL

12 x 4w LED Bulb Only - Total 48w

\*Custom drop lengths can be specified.







## A POLLINAIRE PENDANT

### DESCRIPTION

The Apollinaire Pendant is machined from solid brass. All parts are hand polished and patina'd. The lead crystal shade is turned and polished by hand.

### FINISHES

Shown in Lite Antique Bronze (standard). Please inquire about our other finishes. Note: All finishes may vary slightly.

### SHADE

Lead Crystal.

### MODEL #

1 6 6 5

### DIMENSIONS

2.75 Diam x 18 H x 60 OAH\*

### NET WT.

5 lbs

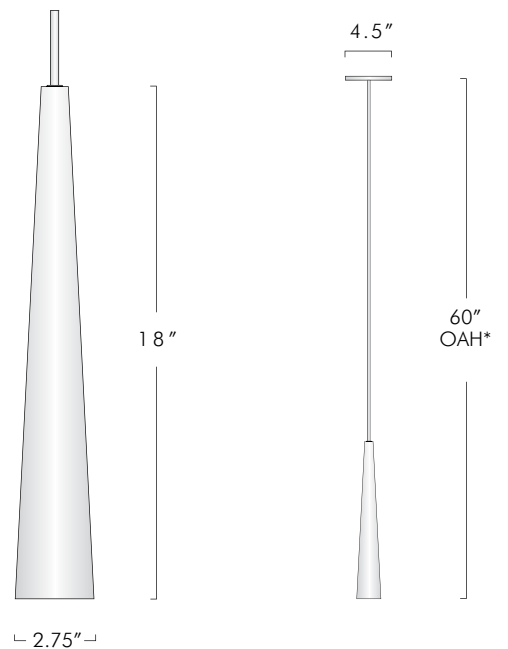
### CEILING PLATE

4.5" Diameter

### ELECTRICAL

1 x 5w LED Bulb Only - (40w incandescent equivalent)  
Warm White, Dimmable

\*Custom drop lengths can be specified.







## APOLLINAIRE 2 LIGHT PENDANT

### DESCRIPTION

The Apollinaire 2 Light Pendant is machined by hand from solid brass. All parts are hand polished and patina'd. The shades are lead crystal which are turned by hand on a lathe.

### FINISHES

Shown in Lite Antique Bronze with Oil Rubbed Bronze Detail (standard). Please inquire about our other finishes. Note: All finishes may vary slightly.

### SHADE

Lead Crystal.

### MODEL #

1 7 5 3

### DIMENSIONS

11.25 W x 4.5 D x 60 OAH\*

### NET WT.

9 lbs

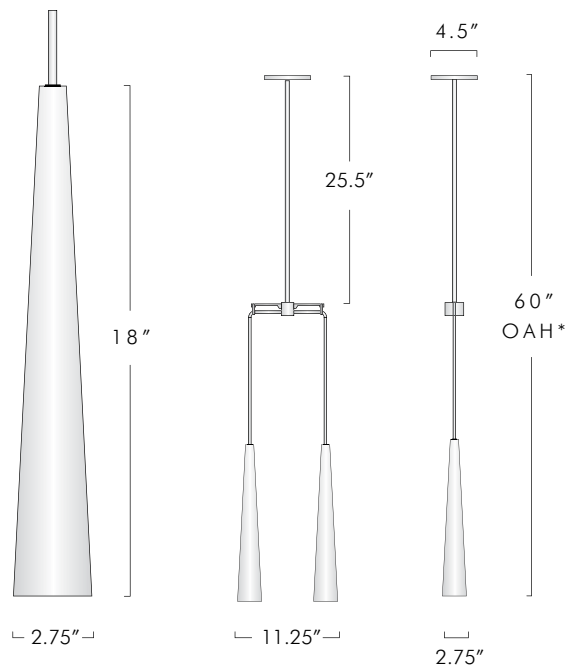
### CEILING PLATE

4.5" Diameter

### ELECTRICAL

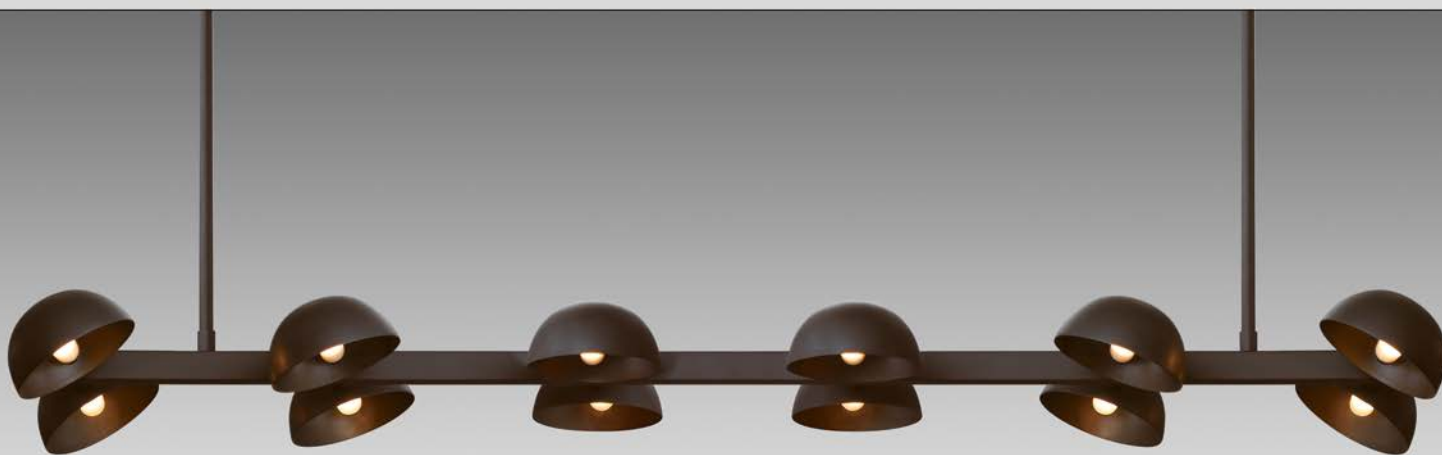
2 x E12 5w - LED Bulb only - (40w incandescent equivalent, Warm White).

\*Custom drop lengths can be specified.









## AVION CHANDELIER

### DESCRIPTION

The Avion chandelier is machined by hand from solid brass. The round shades are turned by hand, and rotate 360 degrees. The entire fixture is hand polished and patina'd.

### FINISHES

Shown in Oil Rubbed Bronze (standard). Please inquire about our other finishes. Note: All finishes may vary slightly.

### SHADE

Brass. Hand turned.

<b>MODEL #</b>	<b>DIMENSIONS</b>	<b>NET WT.</b>
1 5 5 2	55 W x 13 D x 60 OAH*	24 lbs

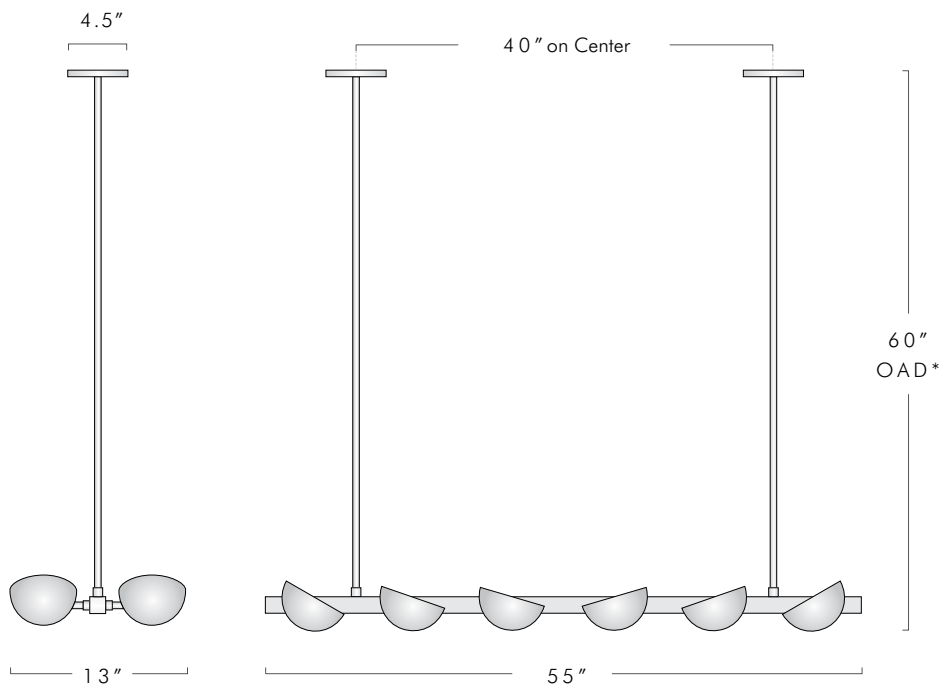
### CEILING PLATES / J-BOX

4.5" Diameter / J-Box center to center: 40"  
Some additional blocking may be required.

### ELECTRICAL

12 x G9 20w - 480w max - LED Available

\*Custom drop lengths can be specified.







All Lighting Design and Design Elements are ©2015 by Jonathan Browning Studios, Inc.

**AVION CIRCULAR CHANDELIER  
12 LIGHT**

**DESCRIPTION**

The 12 Light Avion Circular Chandelier is turned by hand from solid brass. All parts are hand polished and patina'd.

**FINISHES**

Shown in Oil Rubbed Bronze (standard). Please inquire about our other finishes. Note: All finishes may vary slightly.

**SHADE**

Brass, Hand Turned

MODEL #	DIMENSIONS	NET WT.
1 5 6 4	48 Diameter x 60 OAH*	30 lbs

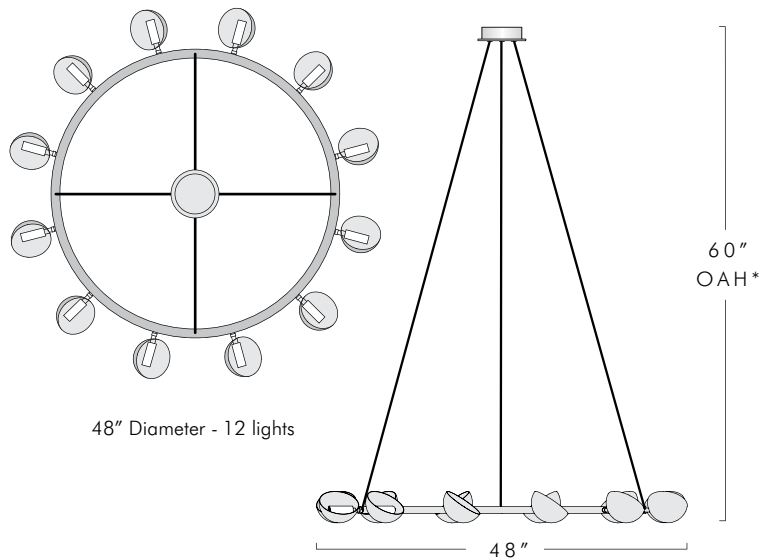
**CEILING PLATE**

6" Diameter

**ELECTRICAL**

12 x G9 3.5W - 42W total - LED Bulb only

\*Custom drop lengths can be specified.







## BECQUEREL PENDANT

### DESCRIPTION

The Becquerel Pendant is machined by hand from solid brass. All parts are hand polished and patina'd. Both inner and outer shades are made from ivory silk.

### FINISHES

Shown in Oil Rubbed Bronze (standard). Please inquire about our other finishes. Note: All finishes may vary slightly.

### SHADE

Outer black silk and inner ivory silk shades.

### MODEL #

2 2 1 5

### DIMENSIONS

24 DIA x 60 OAH\*

### NET WT.

8.5 lbs

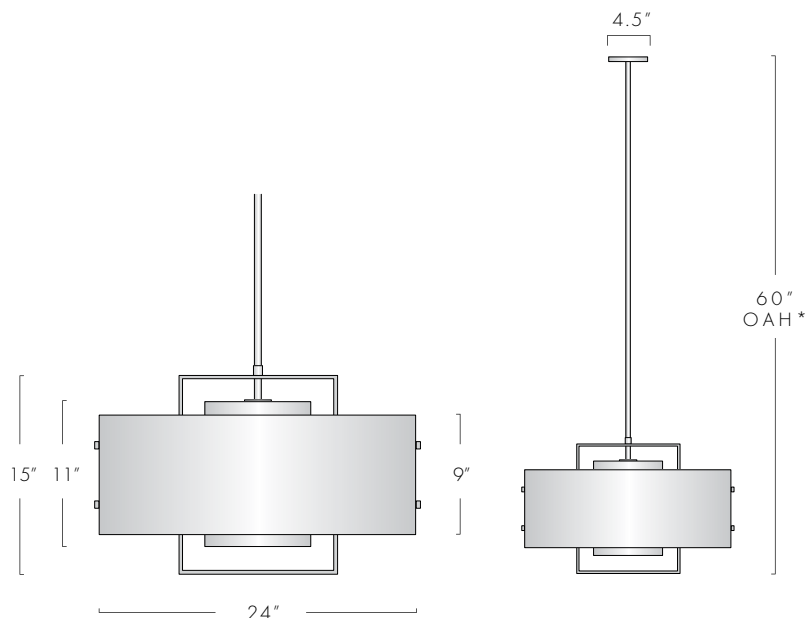
### CEILING PLATE / J-BOX

4.5" Diameter

### ELECTRICAL

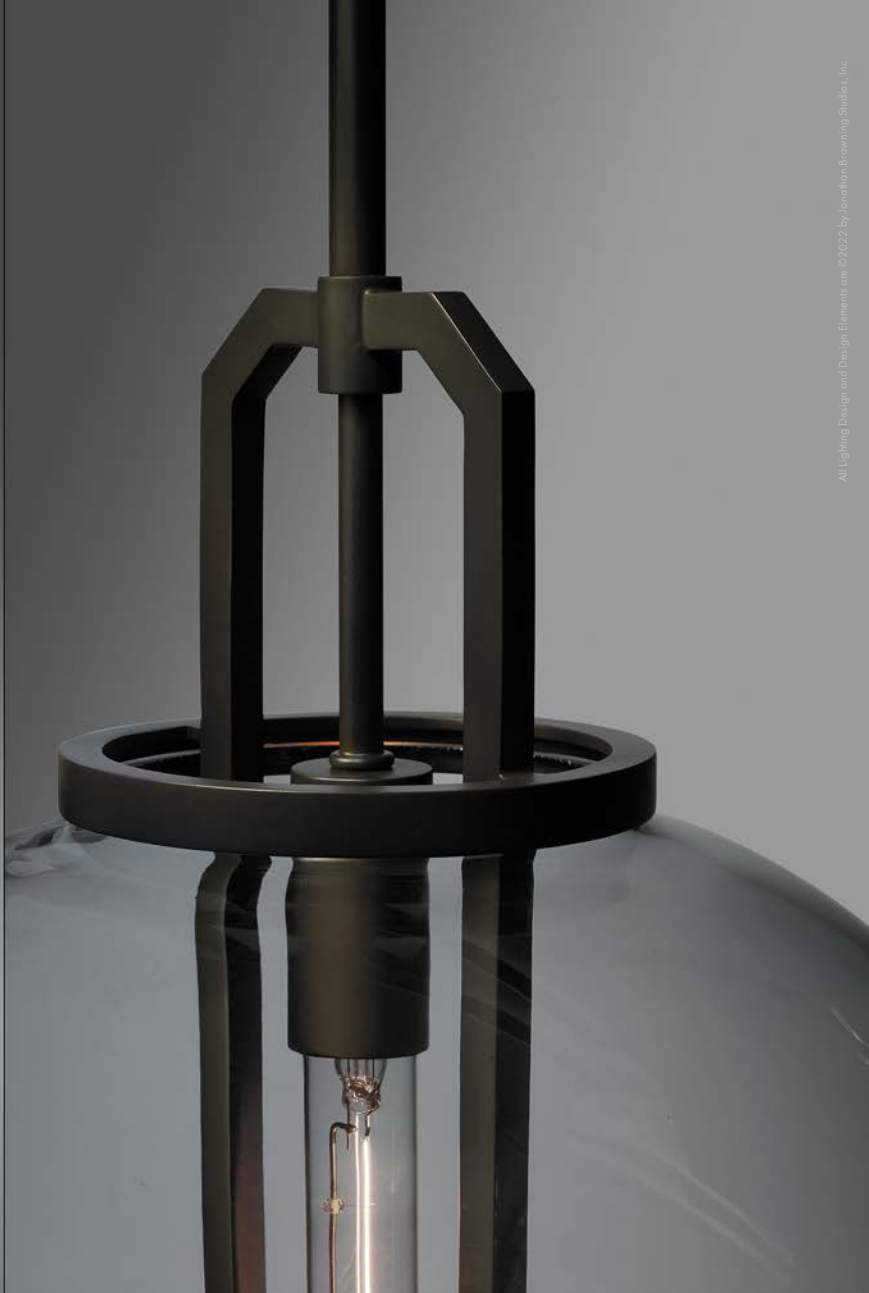
1 x E26 6W LED Bulb Only

\*Custom drop lengths can be specified.









## BOUILLANT CLOCHE PENDANT

### DESCRIPTION

The Bouillant Cloche Pendant is machined by hand from solid brass. All parts are hand polished and patina'd. The Cloche blown glass is secured by machined brass parts.

### FINISHES

Shown in Oil Rubbed Bronze (standard). Please inquire about our other finishes. Note: All finishes may vary slightly.

### SHADE

Blown Glass - Cloche.

### MODEL #

2 1 4 1

### DIMENSIONS

16 DIA x 60 OAH\*

### NET WT.

22.5 lbs

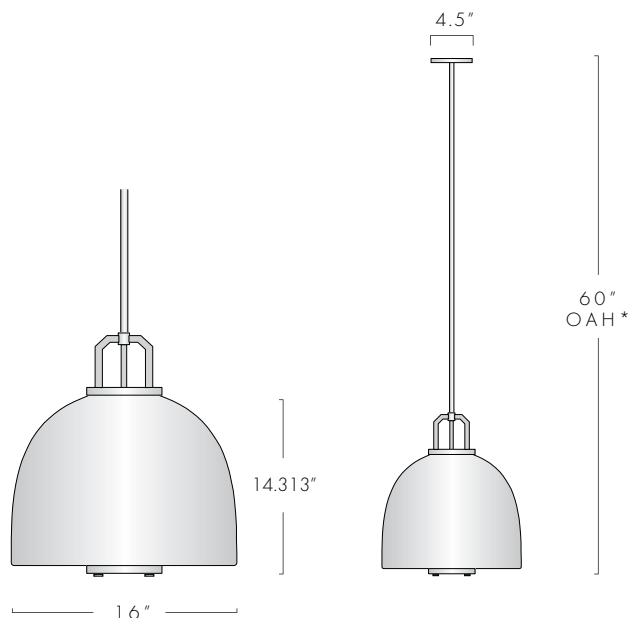
### CEILING PLATE / J-BOX

4.5" Diameter

### ELECTRICAL

1 x E26 3.5W LED Bulb Only

\*Custom drop lengths can be specified.







## BOUILLANT CYLINDER PENDANT

### DESCRIPTION

The Bouillant Cylinder Pendant is machined by hand from solid brass. All parts are hand polished and patina'd. The Cylinder is borosilicate glass secured by machined brass parts.

### FINISHES

Shown in Oil Rubbed Bronze (standard). Please inquire about our other finishes. Note: All finishes may vary slightly.

### SHADE

Borosilicate Glass - Cylinder.

### MODEL #

2305

### DIMENSIONS

5.25 DIA x 60 OAH\*

### NET WT.

12 lbs

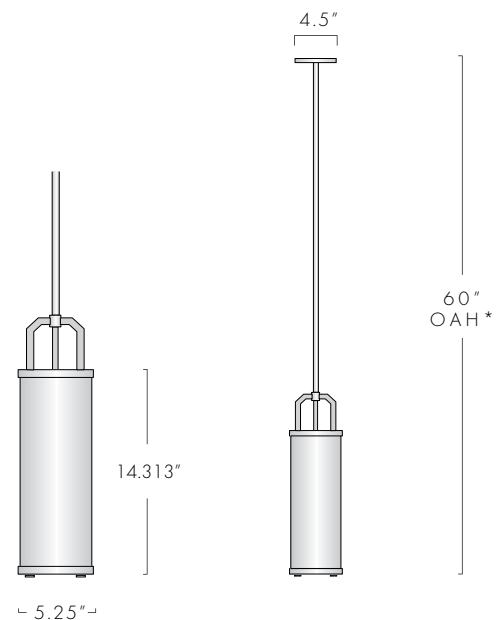
### CEILING PLATE / J-BOX

4.5" Diameter

### ELECTRICAL

1 x E26 3.5W LED Bulb Only

\*Custom drop lengths can be specified.







All Lighting Design and Design Elements are ©2022 by Jonathan Browning Studios, Inc.

## BOUILLANT FUNNEL PENDANT

### DESCRIPTION

The Bouillant Funnel Pendant is machined by hand from solid brass. All parts are hand polished and patina'd. The Funnel blown glass is secured by machined brass parts.

### FINISHES

Shown in Oil Rubbed Bronze (standard). Please inquire about our other finishes. Note: All finishes may vary slightly.

### SHADE

Blown Glass - Funnel.

### MODEL #

2 3 0 6

### DIMENSIONS

13.75 DIA x 60 OAH\*

### NET WT.

18 lbs

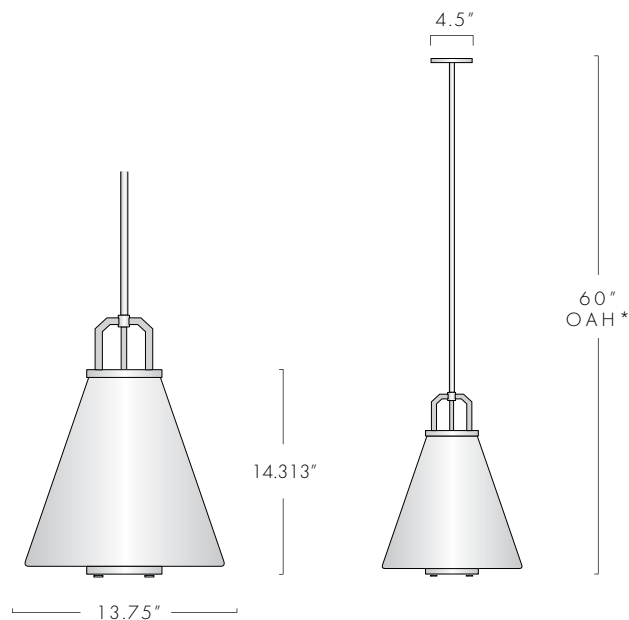
### CEILING PLATE / J-BOX

4.5" Diameter

### ELECTRICAL

1 x E26 3.5W LED Bulb Only

\*Custom drop lengths can be specified.









## CANTENAC CIRCULAR CHANDELIER

### DESCRIPTION

The Catenac Circular Chandelier is made up of ten brass pendants. All parts are hand polished and patina'd. The ceiling plate is made in stainless steel.

### FINISHES

Shown in Black Bronze and Lite Antique Bronze (standard). Please inquire about our other finishes. Note: All finishes may vary slightly.

### SHADE

Brass.

**MODEL #**  
2 0 2 6

**DIMENSIONS**  
18 DIA x 60 OAH\*

**NET WT.**  
32 lbs

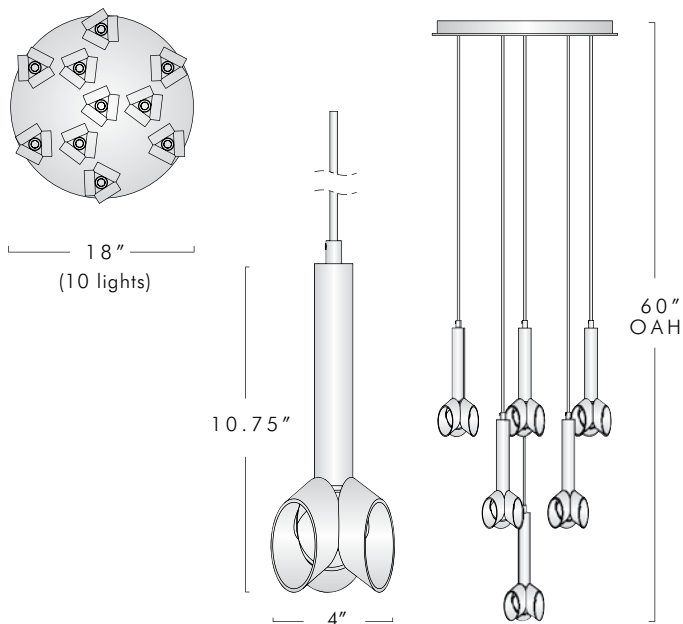
### CEILING PLATE

18" Diameter - J-Box on center - Additional blocking or anchoring may be required.

### ELECTRICAL

10 x E12 2.5W LED Bulb Only

\*Custom drop lengths can be specified.







All Lighting Design and Design Elements are ©2022 by Jonathan Browning Studios, Inc.

## CANTENAC PENDANT

### DESCRIPTION

The Cantenac Pendant is made by hand from thick-walled brass tubing. The ceiling plate is machined from solid brass. All parts are hand polished and patina'd. The shade exterior is finished in Black Bronze and the interior is Lite Antique Bronze.

### FINISHES

Shown in Black Bronze and Lite Antique Bronze (standard). Please inquire about our other finishes. Note: All finishes may vary slightly.

### SHADE

Brass.

MODEL #	DIMENSIONS	NET WT.
2 2 2 4	4.5 DIA x 60 OAH*	3 lbs

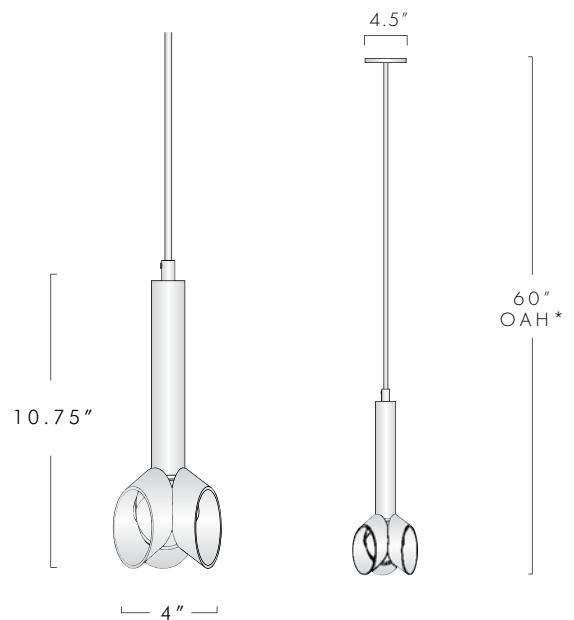
### CEILING PLATE / J-BOX

4.5" Diameter

### ELECTRICAL

1 x E12 4W LED Bulb Only

\*Custom drop lengths can be specified.







All Lighting Design and Design Elements are © 2018 by Jonathan Browning Studios, Inc.

## CAMUS CHANDELIER

### DESCRIPTION

The Camus Chandelier is made from solid brass. All parts are hand polished and patina'd. The beveled cube lays within a flattened brass diamond. The lead crystal panels are carved and polished by hand. Available in two sizes.

### FINISHES

Shown in Oil Rubbed Bronze (standard). Please inquire about our other finishes. Note: All finishes may vary slightly.

### SHADE

Lead Crystal.

MODEL #	DIMENSIONS	NET WT.
1 8 4 2	26.25 W x 28.5 H x 62 OAH*	60 lbs

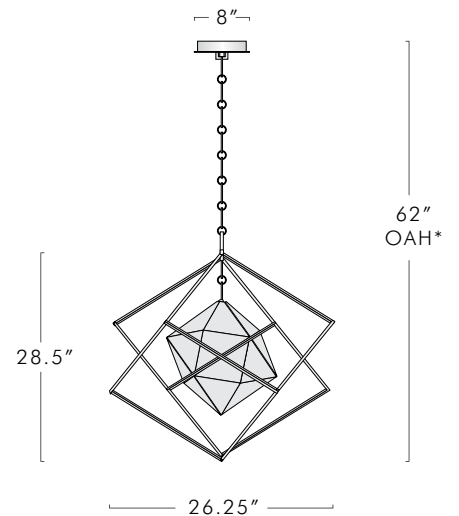
### CEILING PLATE

8" Diameter - Additional blocking or anchoring may be required.

### ELECTRICAL

2 x E26 8W LED - 180W Max - LED Standard

\*Custom drop lengths can be specified.









All Lighting Design and Design Elements are ©2013 by Jonathan Browning Studios, Inc.

## CHAMONT CHANDELIER

### DESCRIPTION

The Chamont Chandelier is machined by hand from solid brass. The round rods of the two arms transform seamlessly into its square spine at each corner. Six lead crystal cylinders, with hand carved details, sit along the spine.

### FINISHES

Shown in Oil Rubbed Bronze (standard). Please inquire about our other finishes. Note: All finishes may vary slightly.

### SHADE

Lead Crystal.

<b>MODEL #</b>	<b>DIMENSIONS</b>	<b>NET WT.</b>
1 3 5 0	54 L x 4.5 W x 50.75 OAH*	25 lbs

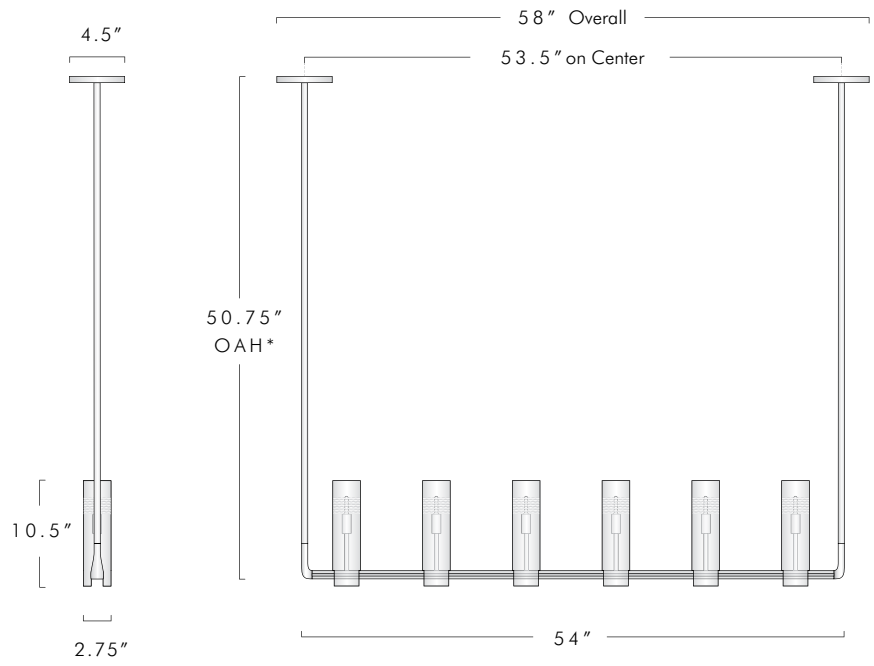
### CEILING PLATE

Two 4.5" Circular Ceiling Mounts - 53.5" on Center  
Some additional blocking may be required.

### ELECTRICAL

6 x E12 40w - 360w max - LED available

\*Custom drop lengths can be specified.









All Lighting Design and Design Elements are ©2013 by Jonathan Browning Studios, Inc.

## CHAMONT LAVALIER

### DESCRIPTION

The Chamont Lavalier is machined by hand from solid brass. The round rods of the two arms transform seamlessly into its square spine at each corner. A lead crystal cylinder, with hand carved spine, sits along the spine.

### FINISHES

Shown Oil Rubbed Bronze (standard). Please inquire about our other finishes. Note: All finishes may vary slightly.

### SHADE

Lead Crystal.

### MODEL #

1 5 5 0

### DIMENSIONS

7.375 L x 7.375 W x 60 OAH\*

### NET WT.

10 lbs

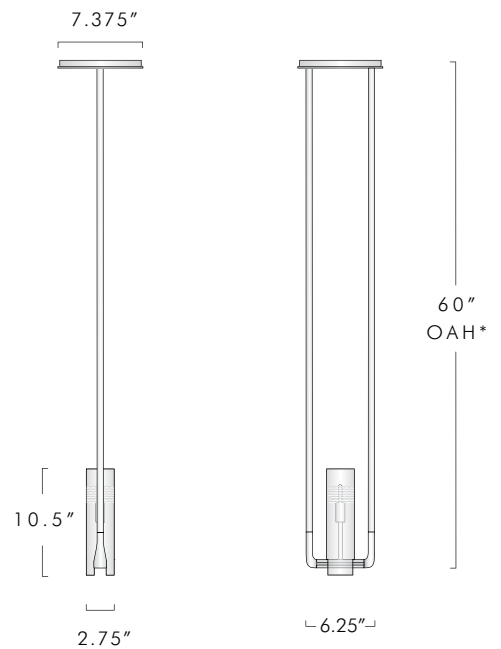
### CEILING PLATE

7.375 Diameter

### ELECTRICAL

1 x E12 40W - 40W Max - LED Available

\*Custom drop lengths can be specified.







All Lighting Design and Design Elements are ©2014 by Jonathan Browning Studios, Inc.

## CHAMONT PENDANT

### DESCRIPTION

The Chamont Pendant is machined by hand from solid brass. The shade is made of borosilicate glass which is carved by hand on a diamond wheel.

### FINISHES

Shown in Oil Rubbed Bronze (standard). Please inquire about our other finishes. Note: All finishes may vary slightly.

### SHADE

Borosilicate Glass

### MODEL #

1 5 5 1

### DIMENSIONS

4.5 Diam x 11 H x 40 OAH\*

### NET WT.

7 lbs

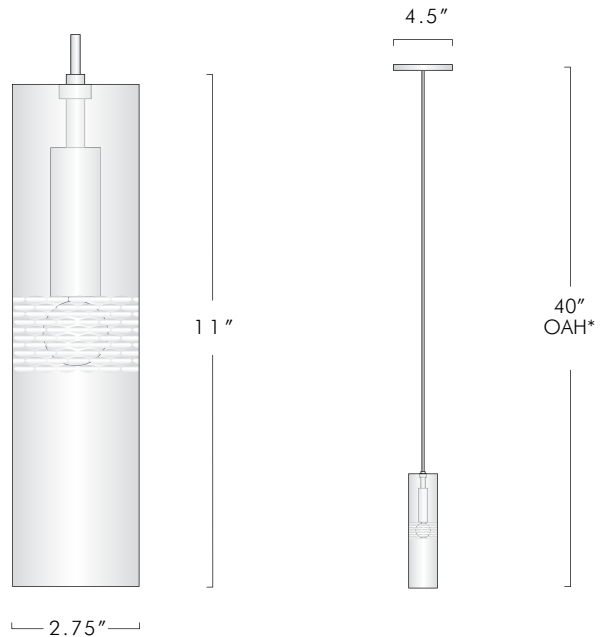
### CEILING PLATE

4.5" Diameter

### ELECTRICAL

1 x 5w LED Bulb Only - (40w incandescent equivalent)  
Warm White, Dimmable

\*Custom drop lengths can be specified.







## CHARLOT CIRCULAR CHANDELIER

### DESCRIPTION

The Charlot Circular Chandelier is made from smoked borosilicate glass. The ceiling plate and socket cover are machined and polished by hand.

### FINISHES

Black Bronze Canopy and Socket Covers (standard). Please inquire about our other finishes. Note: All finishes may vary slightly.

### SHADE

Smoked Borosilicate Glass.

MODEL #	DIMENSIONS	NET WT.
1 7 3 1	18 DIA x 72 OAH*	50 lbs

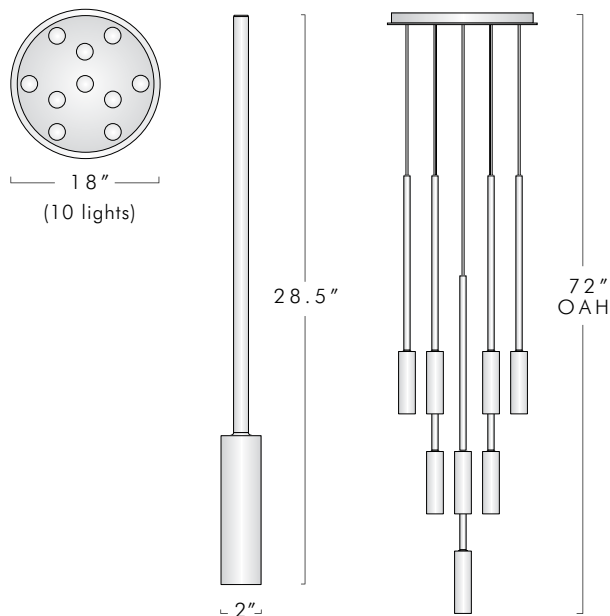
### CEILING PLATE / J-BOX

18" Diameter - J-Box on center - Additional blocking or anchoring may be required.

### ELECTRICAL

10 x E12 4W LED Bulb only  
Total 40W - Warm White, Dimmable.

\*Custom drop lengths can be specified.









All Lighting Design and Design Elements are ©2018 by Jonathan Browning Studios, Inc.

## CHARLOT PENDANT

### DESCRIPTION

The Charlot Pendant is made from smoked borosilicate glass. The ceiling plate and socket cover are machined and polished by hand from solid brass.

### FINISHES

Shown in Black Bronze (standard). Please inquire about our other finishes. Note: All finishes may vary slightly.

### SHADE

Smoked Borosilicate Glass.

### MODEL #

1 8 2 1

### DIMENSIONS

5.125 DIA x 60 OAH\*

### NET WT.

5 lbs

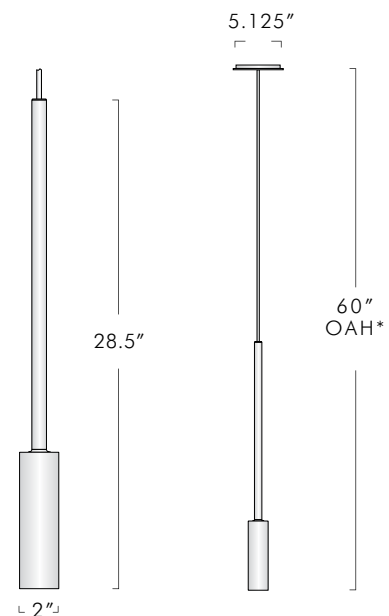
### CEILING PLATE

5.125" Diameter

### ELECTRICAL

1 x E12 4W LED Bulb Only  
Warm White, Dimmable

\*Custom drop lengths can be specified.







All Lighting Design and Design Elements are ©2023 by Jonathan Browning Studios, Inc.

## CHARTIER 10 LIGHT CIRCULAR CHANDELIER

### DESCRIPTION

The Chartier 10 Light Circular Chandelier is made up of ten lead crystal Chartier Pendants. The ceiling plate and socket covers are made by hand. All parts are hand polished and patina'd.

### FINISHES

Shown in Oil Rubbed Bronze (standard) with Black Bronze ceiling plate. Please inquire about our other finishes. Note: All finishes may vary slightly.

### SHADE

Clear Lead Crystal.

### MODEL #

2 2 2 9

### DIMENSIONS

18 DIA x 72 OAH\*

### NET WT.

95 lbs

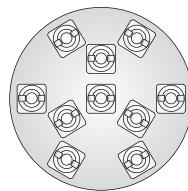
### CEILING PLATE

18" Diameter - J-Box on center - Additional blocking or anchoring is recommended.

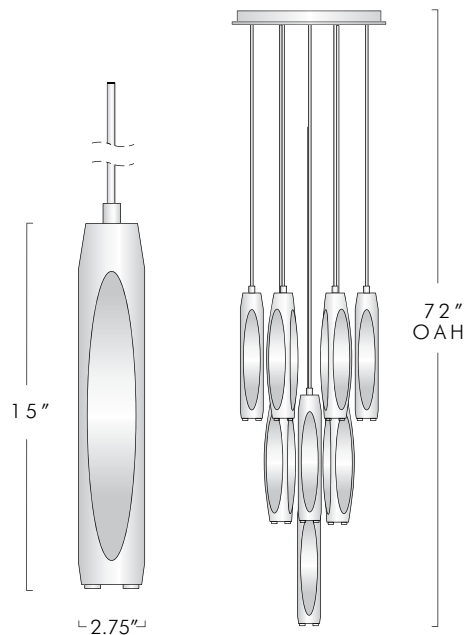
### ELECTRICAL

10 x E26 3.5W T8 LED filament bulb only

\*Custom drop lengths can be specified.



18"  
(10 lights)







All Lighting Design and Design Elements are ©2018 by Jonathan Browning Studios, Inc.

## CHARTIER CIRCULAR CHANDELIER

### DESCRIPTION

The Chartier Circular Chandelier is machined from solid brass. All parts are hand polished and patina'd. The lead crystal shades are hand polished.

### FINISHES

Shown in Oil Rubbed Bronze (standard). Please inquire about our other finishes. Note: All finishes may vary slightly.

### SHADE

Lead Crystal.

### MODEL #

1 7 2 4

### DIMENSIONS

60 DIA x 60 OAH\*

### NET WT.

120 lbs

### CEILING PLATE / J-BOX

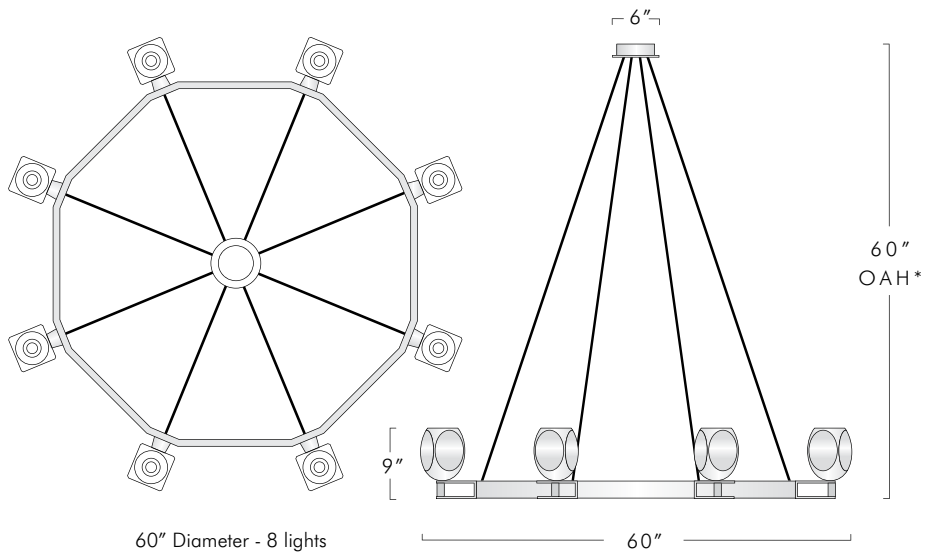
8" Diameter

Additional blocking or anchoring may be required.

### ELECTRICAL

8 x E26 25W - 480W Max - LED Available

\*Custom drop lengths can be specified.









## CHARTIER LINEAR CHANDELIER

### DESCRIPTION

The Chartier Linear Chandelier is machined from solid brass. All parts are hand polished and patina'd. The lead crystal shades are hand polished.

### FINISHES

Shown in Oil Rubbed Bronze (standard). Please inquire about our other finishes. Note: All finishes may vary slightly.

### SHADE

Lead Crystal.

MODEL #	DIMENSIONS	NET WT.
1725	60 W x 17.5 D x 60 OAH*	143 lbs

### CEILING PLATE / J-BOX

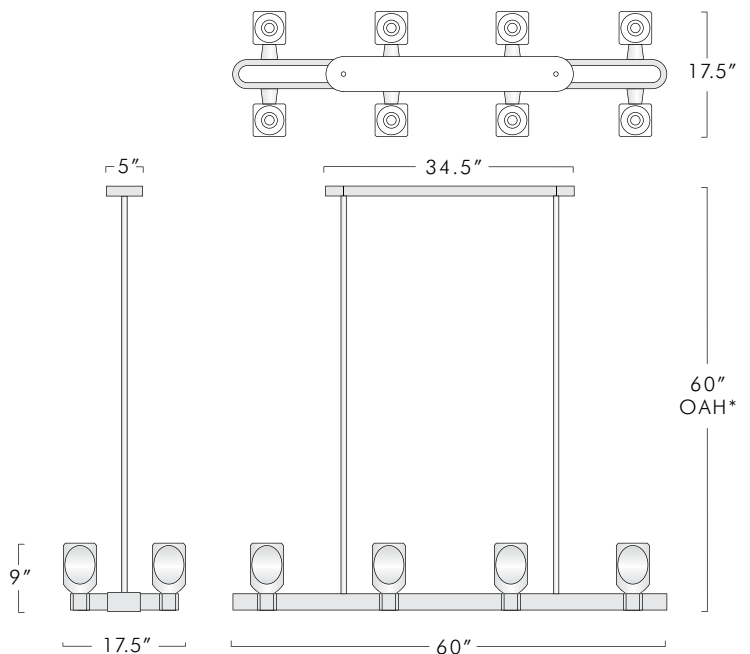
34.5" W x 5" D

Additional blocking or anchoring may be required.

### ELECTRICAL

8 x E26 25W - 480W Max - LED Available.

\*Custom drop lengths can be specified.









## CHARTIER PENDANT

### DESCRIPTION

The Chartier Pendant is machined from solid brass. All parts are hand polished and patina'd. The lead crystal shade is hand polished.

### FINISHES

Shown in Oil Rubbed Bronze (standard). Please inquire about our other finishes. Note: All finishes may vary slightly.

### SHADE

Lead Crystal.

### MODEL #

1 7 8 5

### DIMENSIONS

4.5 DIA x 60 OAH\*

### NET WT.

8 lbs

### CEILING PLATE

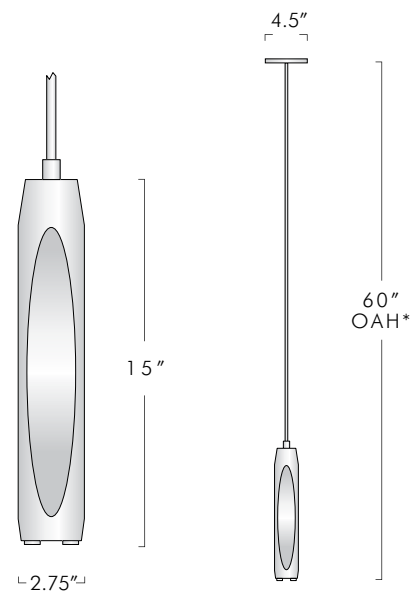
4.5" Diameter

### ELECTRICAL

1x E26 40w T8 - 75w Max

1x E26 3.5w T8 LED

\*Custom drop lengths can be specified.







## CHARTIER SQUARE CHANDELIER

### DESCRIPTION

The Chartier Square Chandelier is machined from solid brass. All parts are hand polished and patina'd. The lead crystal shades are hand polished.

### FINISHES

Shown in Oil Rubbed Bronze (standard). Please inquire about our other finishes. Note: All finishes may vary slightly.

### SHADE

Lead Crystal.

### MODEL #

1 7 2 6

### DIMENSIONS

36 DIA x 60 OAH\*

### NET WT.

60 lbs

### CEILING PLATE / J-BOX

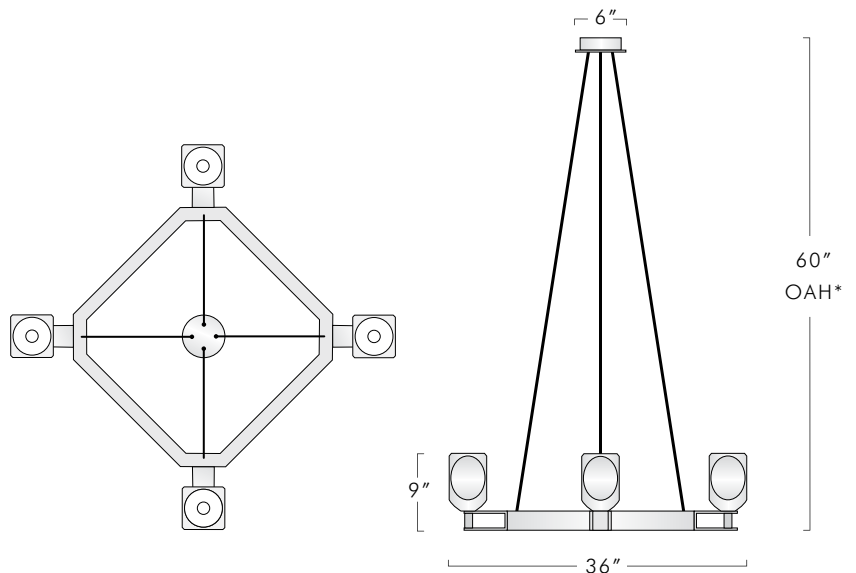
6" Diameter

Additional blocking or anchoring may be required.

### ELECTRICAL

4 x E26 25W - 240W Max - LED Available.

\*Custom drop lengths can be specified.







## CHATELET CIRCULAR CHANDELIER

### DESCRIPTION

The Chatelet Circular Chandelier is made up of ten lead crystal pendants. All parts are hand polished and patina'd. The ceiling plate and socket covers are also made by hand.

### FINISHES

Black Bronze Canopy and Socket Covers (standard). Please inquire about our other finishes. Note: All finishes may vary slightly.

### SHADE

Lead Crystal in either Clear or Canary.

MODEL #	DIMENSIONS	NET WT.
1 8 3 2	18" Diameter x 72 OAH*	75 lbs

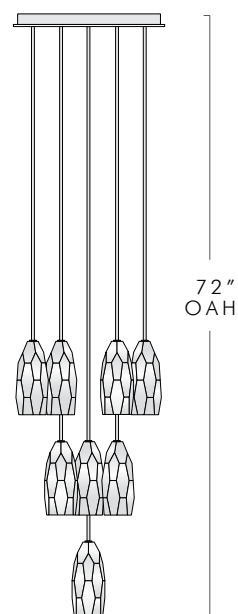
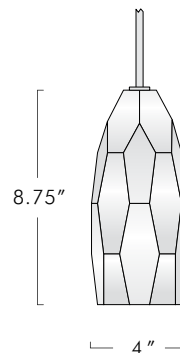
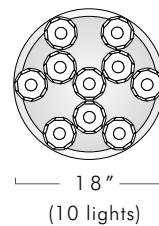
### CEILING PLATE / J-BOX

18" Diameter - J-Box on center - Additional blocking or anchoring may be required.

### ELECTRICAL

10 x E12 5W LED Bulb Only - (40W incandescent equivalent). Total 50W - (400W equivalent)

\*Custom drop lengths can be specified.











## CHATELET LINEAR CHANDELIER

### DESCRIPTION

The Chatelet Linear Chandelier is made up of twelve lead crystal pendants. All parts are hand polished and patina'd. The ceiling plate and socket covers are also made by hand.

### FINISHES

Black Bronze Canopy and Socket Covers (standard). Please inquire about our other finishes. Note: All finishes may vary slightly.

### SHADE

Lead Crystal in either Clear or Canary.

### MODEL #

1 8 4 0

### DIMENSIONS

60 W x 12 D x 60 OAD\*

### NET WT.

115 lbs.

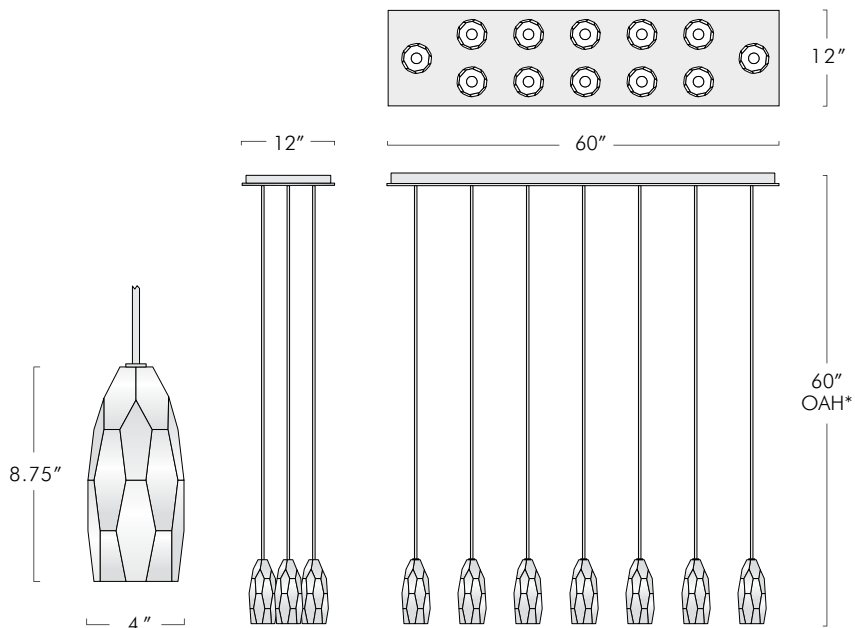
### CEILING PLATE / J-BOX

60" x 12" Additional blocking or anchoring may be required.

### ELECTRICAL

12 x E12 5W LED Bulb Only - (40W incandescent equivalent). Total 60W - (480W equivalent)

\*Custom drop lengths can be specified.







## CHATELET PENDANT

### DESCRIPTION

The Chatelet Pendant is made of lead crystal. All parts are hand polished and patina'd. The ceiling plate and sockets are also made by hand in brass.

### FINISHES

Shown in Black Bronze (standard). Please inquire about our other finishes. Note: All finishes may vary slightly.

### SHADE

Lead Crystal in either Clear or Canary.

MODEL #	DIMENSIONS	NET WT.
1 8 3 3	4.5 Diam x 60 OAH*	5 lbs

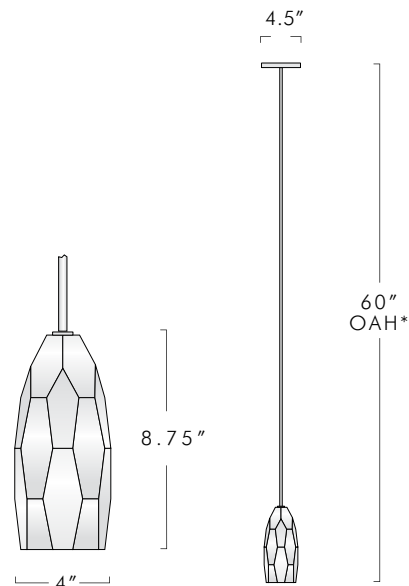
### CEILING PLATE / J-BOX

4.5" Diameter

### ELECTRICAL

1 x E12 5W LED Bulb Only - (40W incandescent equivalent)

\*Custom drop lengths can be specified.







## CORNICHE CIRCULAR CHANDELIER

### DESCRIPTION

The Corniche Circular Chandelier is machined by hand from solid brass. All parts are hand polished and patina'd. The shades are made from ivory silk.

### FINISHES

Shown in Oil Rubbed Bronze (standard). Please inquire about our other finishes. Note: All finishes may vary slightly.

### SHADE

Ivory Silk

### MODEL #

1 8 1 1

### DIMENSIONS

60 DIA x 60 OAH\*

### NET WT.

34 lbs

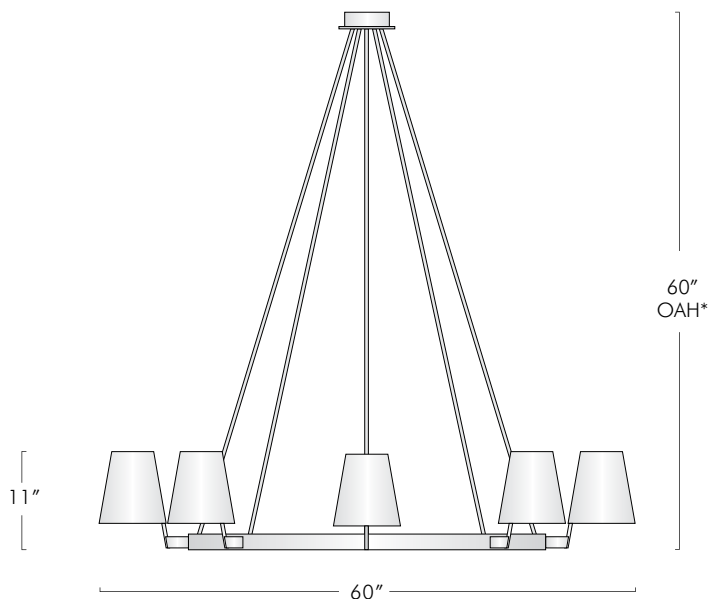
### CEILING PLATE/J-BOX

6" Diameter / J-Box on center.

### ELECTRICAL

8 x E12 4W LED - 320W max - LED Standard

\*Custom drop lengths can be specified.











## CORNICHE LINEAR CHANDELIER

### DESCRIPTION

The Corniche Linear Chandelier is machined by hand from solid brass. All parts are hand polished and patina'd. The shades are made from ivory silk.

### FINISHES

Shown in Oil Rubbed Bronze (standard). Please inquire about our other finishes. Note: All finishes may vary slightly.

### SHADE

Ivory Silk

MODEL #	DIMENSIONS	NET WT.
1 8 1 2	60 L x 22 W x 60 OAH*	85 lbs

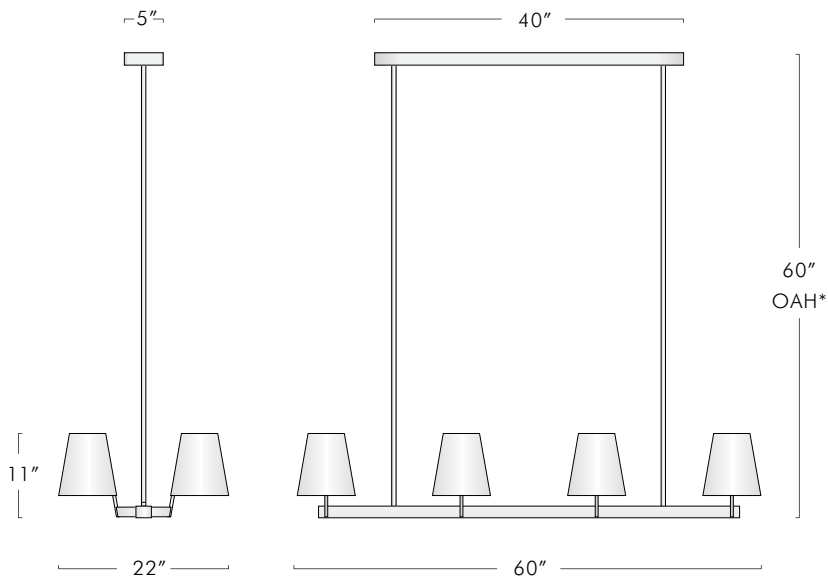
### CEILING PLATE/J-BOX

40"W x 5"D / J-Box on center - Additional blocking or anchoring may be required.

### ELECTRICAL

8 x E12 4W LED - 320W max - LED Standard

\*Custom drop lengths can be specified.







## CORNICHE PENDANT

### DESCRIPTION

The Corniche Pendant is machined by hand from solid brass. All parts are hand polished and patina'd. The shade is made from ivory silk.

### FINISHES

Shown in Oil Rubbed Bronze (standard). Please inquire about our other finishes. Note: All finishes may vary slightly.

### SHADE

Ivory Silk.

### MODEL #

1810

### DIMENSIONS

7.5 Dia x 60 OAH\*

### NET WT.

6 lbs

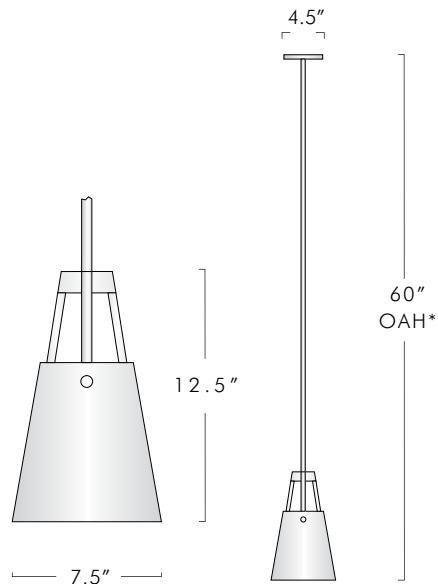
### CEILING PLATE

4.5" Diameter

### ELECTRICAL

1 x E12 4W LED - 40W Max - LED Standard

\*Custom drop lengths can be specified.







All Lighting Design and Design Elements are ©2020 by Jonathan Browning Studios, Inc.

## CORNICHE 4 LIGHT PENDANT

### DESCRIPTION

The Corniche 4 Light Pendant is machined from solid brass. All parts are hand polished and patina'd. The shades are made from ivory silk.

### FINISHES

Shown in Oil Rubbed Bronze (standard). Please inquire about our other finishes. Note: All finishes may vary slightly.

### SHADE

Ivory Silk.

### MODEL #

1 9 2 6

### DIMENSIONS

26 DIA x 60 OAH\*

### NET WT.

12 lbs

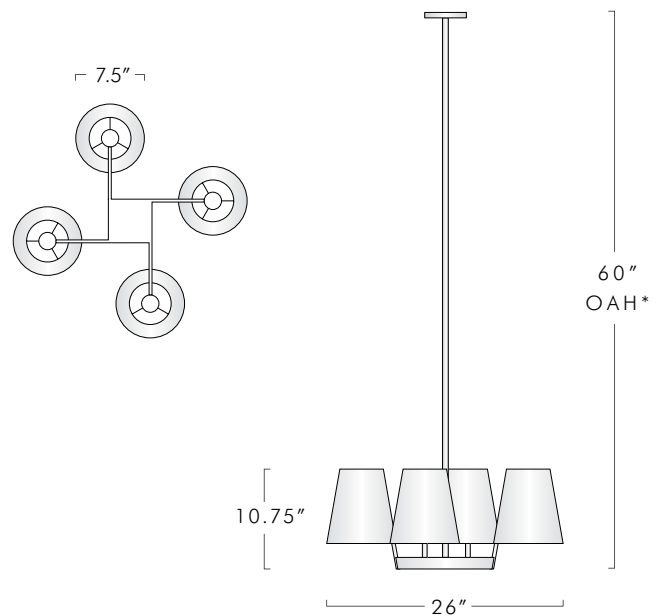
### CEILING PLATE

4.5" Diameter

### ELECTRICAL

4 x E12 4W LED - 160W Max - LED Standard

\*Custom drop lengths can be specified.









All Lighting Design and Design Elements are ©2023 by Jonathan Browning Studios, Inc.

## DESSAY CIRCULAR CHANDELIER

### DESCRIPTION

The Dessay Circular Chandelier is machined from solid brass. All parts are hand polished and patina'd. The shades are made from ivory silk.

### FINISHES

Shown in Lite Antique Bronze and Oil Rubbed Bronze (standard). Please inquire about our other finishes. Note: All finishes may vary slightly.

### SHADE

Ivory Silk.

### MODEL #

2 3 0 7

### DIMENSIONS

60 DIA x 60 OAH\*

### NET WT.

26 lbs

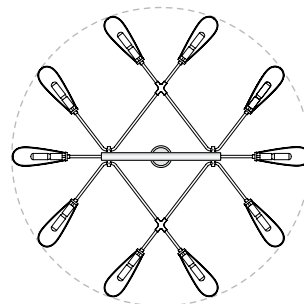
### CEILING PLATE

4.5" Diameter

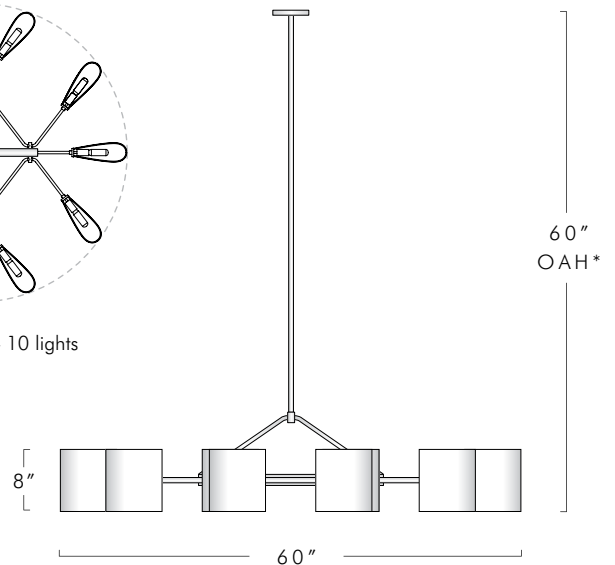
### ELECTRICAL

10 x E26 T10 6W LED

\*Custom drop lengths can be specified.



60" Diameter - 10 lights







## DESSAY LINEAR CHANDELIER

### DESCRIPTION

The Dessay Linear Chandelier is machined from solid brass. All parts are hand polished and patina'd. The shades are made from ivory silk.

### FINISHES

Shown in Lite Antique Bronze and Oil Rubbed Bronze (standard). Please inquire about our other finishes. Note: All finishes may vary slightly.

### SHADE

Ivory Silk.

### MODEL #

2309

### DIMENSIONS

60 W x 24 D x 60 OAH\*

### NET WT.

21 lbs

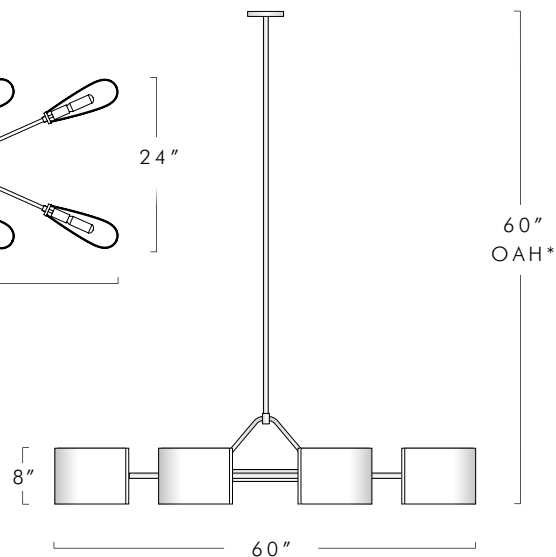
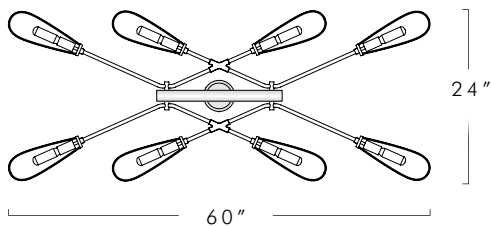
### CEILING PLATE

4.5" Diameter

### ELECTRICAL

8 x E26 T10 5.5W LED bulb only

\*Custom drop lengths can be specified.









All Lighting Design and Design Elements are ©2023 by Jonathan Browning Studios, Inc.

## DUBREUIL PENDANT

### DESCRIPTION

The Dubreuil Pendant is machined by hand from solid brass. The textured glass panels are made via casting to achieve subtle wavy details. All parts are hand polished and patina'd.

### FINISHES

Shown in Oil Rubbed Bronze (standard). Please inquire about our other finishes. Note: All finishes may vary slightly.

### SHADE

Textured Cast Glass.

MODEL #	DIMENSIONS	NET WT.
2 2 4 1	14.875 DIA x 60 OAH*	15 lbs

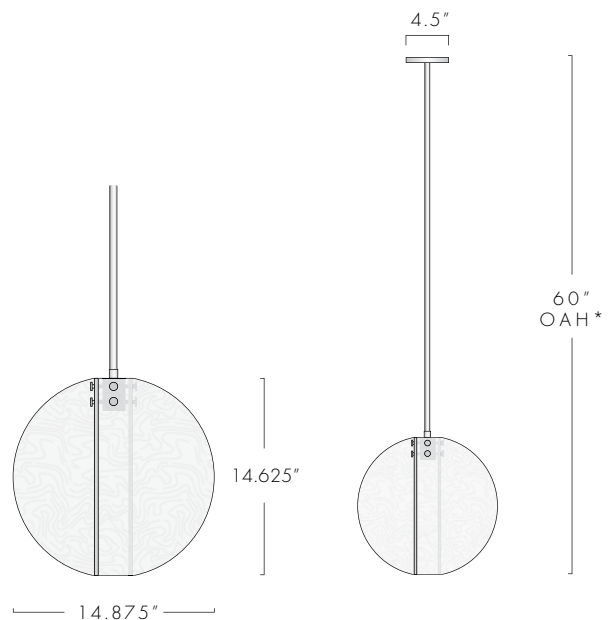
### CEILING PLATE / J-BOX

4.5" Diameter

### ELECTRICAL

1 x E26 5W LED filament bulb only

\*Custom drop lengths can be specified.









## DUVERNOIS LAVALIER

### DESCRIPTION

The Duvernois Lavalier is made of solid brass. All parts are hand polished and patina'd. The frosted glass shade is surrounded by a column of brass fins.

### FINISHES

Shown in Oil Rubbed Bronze (standard). Please inquire about our other finishes. Note: All finishes may vary slightly.

### SHADE

Frosted Glass.

MODEL #	DIMENSIONS	NET WT.
1 9 3 1	7.375 DIA x 60 OAH *	18 lbs

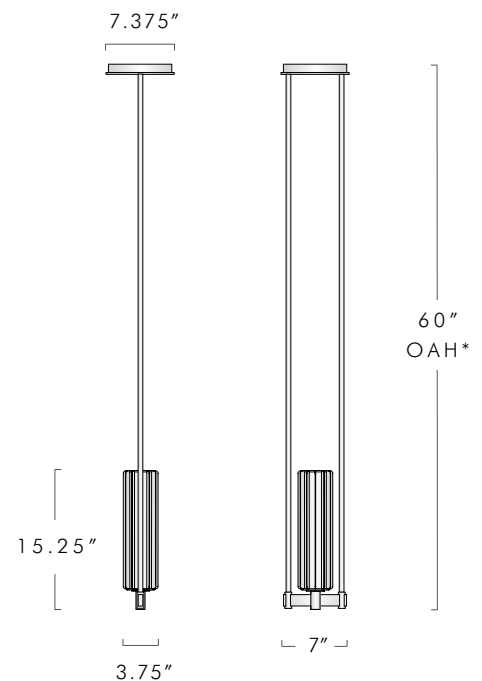
### CEILING PLATE

7.375" Diameter

### ELECTRICAL

1 x E26 40W - 75W Max - LED Available

\*Custom drop lengths can be specified.







## FONTENAY LINEAR CHANDELIER

### DESCRIPTION

The Fontenay Linear Chandelier is made up of twelve lead crystal pendants which are turned by hand on a lathe. The top plate and socket covers are also made by hand.

### FINISHES

Black Bronze Canopy and Socket Covers (standard). Please inquire about our other finishes. Note: All finishes may vary slightly.

### SHADE

Lead Crystal.

### MODEL #

1 5 5 4

### DIMENSIONS

60 W x 12 D x 60 OAH\*

### NET WT.

125 lbs

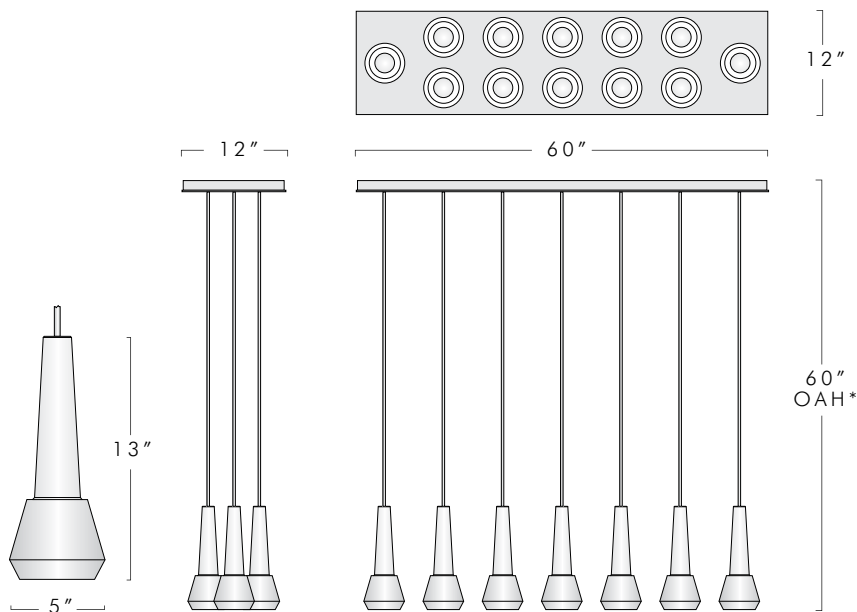
### CEILING PLATE

60" x 12" Additional blocking or anchoring may be required.

### ELECTRICAL

12 x 5w LED Bulbs Only - (40w incandescent equivalent)  
Total 60w - (480w equivalent), Warm White, Dimmable

\*Custom drop lengths can be specified.







All Lighting Design and Design Elements are ©2015 by Jonathan Browning Studios, Inc.

## FONTENAY PENDANT

### DESCRIPTION

The Fontenay Pendant is handmade of lead crystal. The ceiling plate and socket cover are turned by hand from solid brass.

### FINISHES

Shown in Black Bronze. Please inquire about our other finishes. Note: All finishes may vary slightly.

### SHADE

Lead Crystal.

### MODEL #

### DIMENSIONS

### NET WT.

1 5 5 5    5.125 Diam x 50 OAH\*

9 lbs

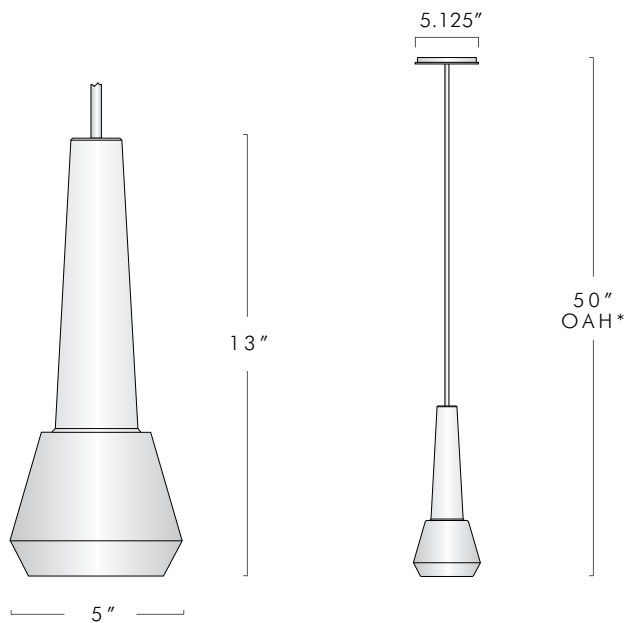
### CEILING PLATE

5.125" Diameter

### ELECTRICAL

1 x 5w LED Bulb Only - (40w incandescent equivalent)  
Warm White, Dimmable

\*Custom drop lengths can be specified.









## FRANCAIX PENDANT

### DESCRIPTION

The Francaix Pendant is machined by hand from solid brass. All parts are hand polished and patina'd. The lead crystal panels are machined and polished by hand.

### FINISHES

Shown in Oil Rubbed Bronze (standard). Please inquire about our other finishes. Note: All finishes may vary slightly.

### SHADE

Crystal in both a clear and opalescent option.

### MODEL #

1 7 6 5

### DIMENSIONS

6.5 W x 4.5 D x 60 OAH\*

### NET WT.

12 lbs

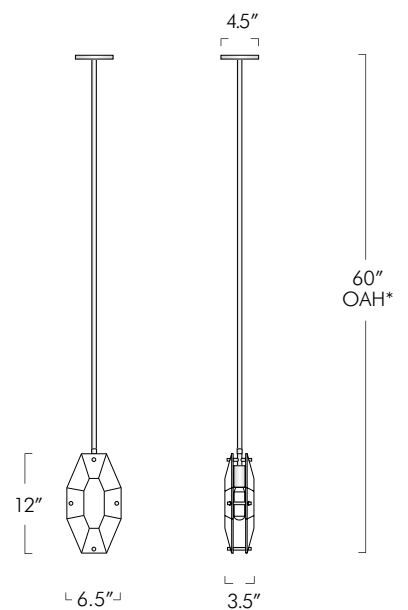
### CEILING PLATE

4.5" Diameter

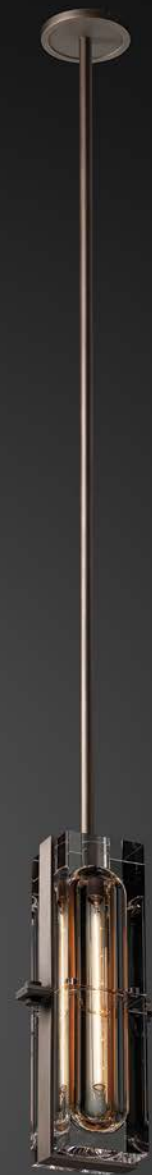
### ELECTRICAL

1 x E26 40w T10 60watt max - LED Available

\*Custom drop lengths can be specified.







## GLAÇON PENDENT

### DESCRIPTION

The Glaçon Pendant is machined from solid brass. All parts are hand polished and patina'd. The lead crystal is machined and polished by hand. The brass band secures the crystal to the fixture.

### FINISHES

Shown in Oil Rubbed Bronze (standard). Please inquire about our other finishes. Note: All finishes may vary slightly.

### SHADE

Lead Crystal.

MODEL #	DIMENSIONS	NET WT.
1 9 1 9	6.75 W x 4 D x 60 OAD *	22 lbs

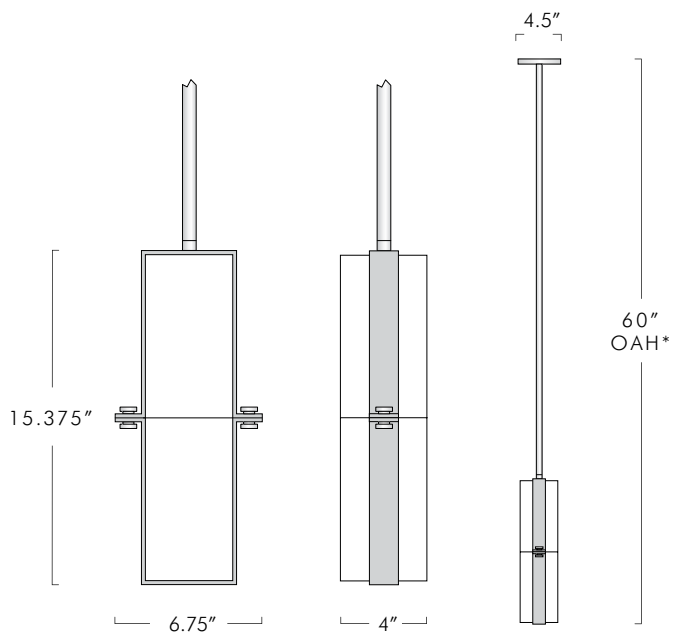
### CEILING PLATE

4.5" Diameter

### ELECTRICAL

1 x E26 4W LED - 75W max - LED Standard

\*Custom drop lengths can be specified.





J | B  
JONATHAN  
BROWNING



All Lighting Design and Design Elements are ©2016 by Jonathan Browning Studios, Inc.

## LAURISTON CIRCULAR CHANDELIER

### DESCRIPTION

The Lauriston Circular Chandelier is machined from solid brass. All parts are hand polished and patina'd. The unglazed porcelain shades are made by hand.

### FINISHES

Shown in Oil Rubbed Bronze (standard). Please inquire about our other finishes. Note: All finishes may vary slightly.

### SHADE

Unglazed Porcelain. Due to the hand-made nature of these porcelain shades, the thickness, height and texture will vary slightly.

MODEL #	DIMENSIONS	NET WT.
1 6 5 6	60 Diam x 8.5H x 60 OAH*	30 lbs

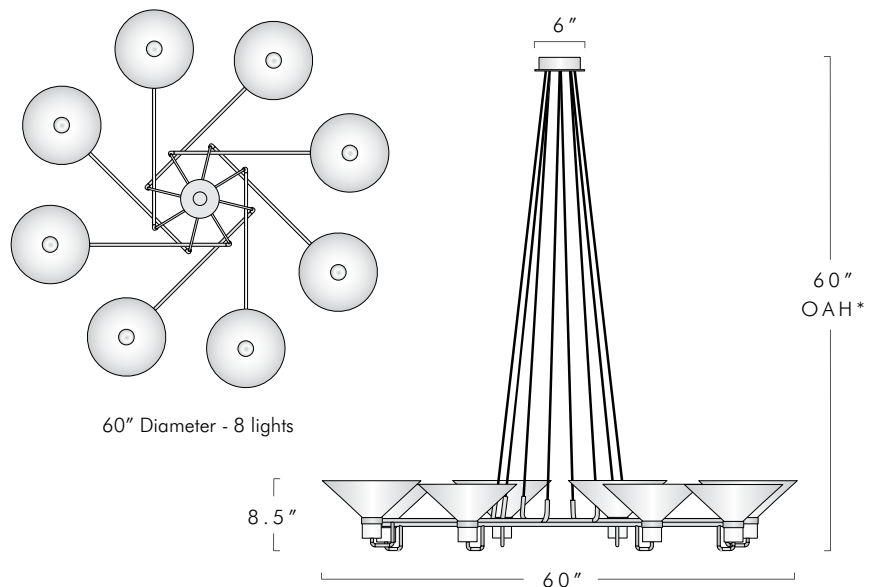
### CEILING PLATE

6" Diameter

### ELECTRICAL

8 x E26 25w 480w max - LED available

\*Custom drop lengths can be specified.









## LAURISTON CLUSTER PENDANT

### DESCRIPTION

The Lauriston Cluster Pendant is machined from solid brass. All parts are hand polished and patina'd. The unglazed porcelain shade is made by hand.

### FINISHES

Shown in Oil Rubbed Bronze (standard). Please inquire about our other finishes. Note: All finishes may vary slightly.

### SHADE

Unglazed Porcelain. Due to the hand-made nature of these porcelain shades, the thickness, height, and texture will vary slightly.

MODEL #	DIMENSIONS	NET WT.
2 2 3 1	17.5 Diameter x 60 OAH*	18 lbs

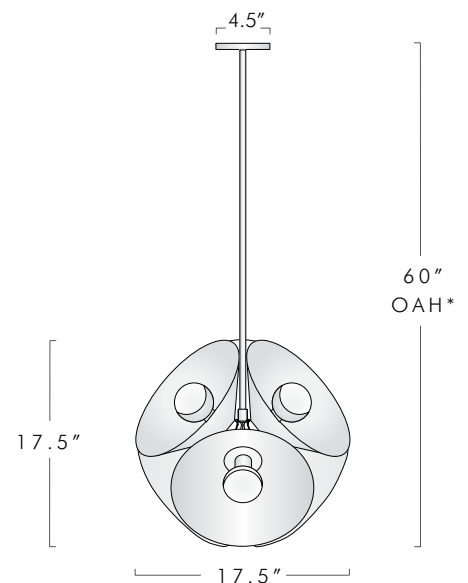
### CEILING PLATE

4.5" Diameter

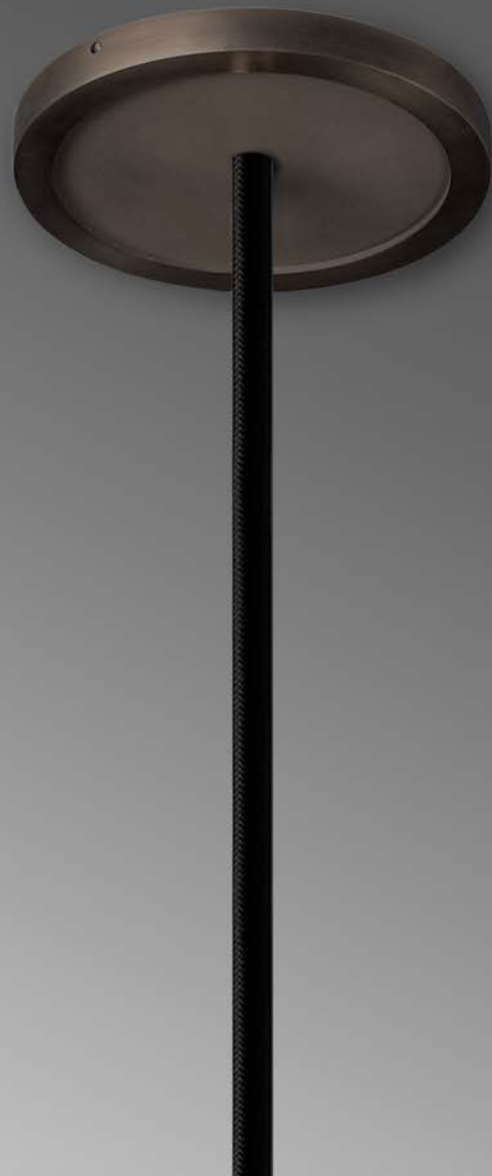
### ELECTRICAL

6 x E26 G25 12W Mirrored LED bulb only

\*Custom drop lengths can be specified.







## LAURISTON PENDANT

### DESCRIPTION

The Lauriston Pendant is machined from solid brass. All parts are hand polished and patina'd. The unglazed porcelain shades are made by hand.

### FINISHES

Shown in Oil Rubbed Bronze (standard). Please inquire about our other finishes. Note: All finishes may vary slightly.

### SHADE

Unglazed Porcelain. Due to the hand-made nature of these porcelain shades, the thickness, height and texture will vary slightly.

MODEL #	DIMENSIONS	NET WT.
1 7 5 0	12 Diam. x 60 OAH*	3 lbs

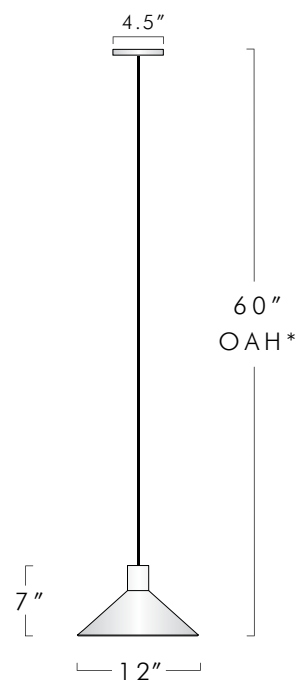
### CEILING PLATE

4.5" Diameter

### ELECTRICAL

1 x E26 8w LED bulb - (75w equivalent)

\*Custom drop lengths can be specified.







## LAURISTON 2 LIGHT PENDANT

### DESCRIPTION

The Lauriston Two Light Pendant is machined from solid brass. All parts are hand polished and patina'd. The unglazed porcelain shades are made by hand.

### FINISHES

Shown in Oil Rubbed Bronze (standard). Please inquire about our other finishes. Note: All finishes may vary slightly.

### SHADE

Unglazed Porcelain. Due to the hand-made nature of these porcelain shades, the thickness, height and texture will vary slightly.

MODEL #	DIMENSIONS	NET WT.
1 7 5 1	28W x 12D x 60 OAH*	9 lbs

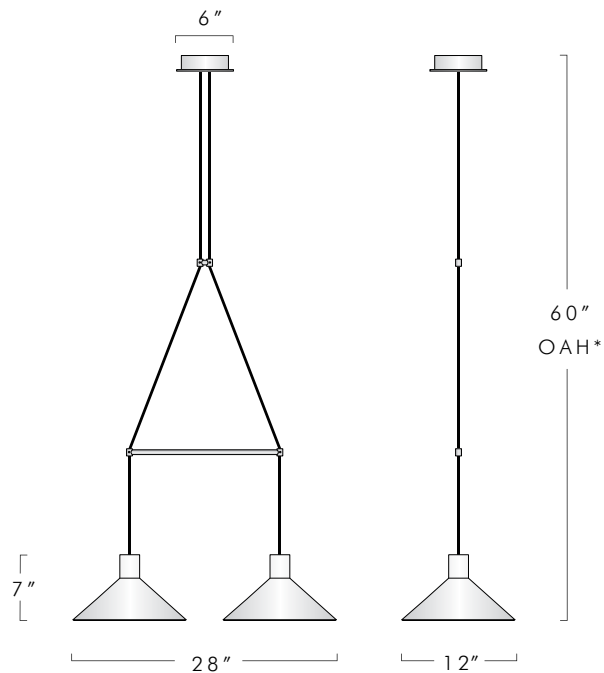
### CEILING PLATE

6" Diameter

### ELECTRICAL

2 x E26 8w LED bulb - (75w equivalent)

\*Custom drop lengths can be specified.









## LAURISTON 4 LIGHT PENDANT

### DESCRIPTION

The Lauriston 4 Light Pendant is machined by hand from solid brass. All parts are hand polished and patina'd. The shades are unglazed white porcelain.

### FINISHES

Shown in Oil Rubbed Bronze (standard). Please inquire about our other finishes. Note: All finishes may vary slightly.

### SHADE

Unglazed Porcelain.

MODEL #	DIMENSIONS	NET WT.
1 7 5 8	36 Diameter x 60 OAH*	14 lbs

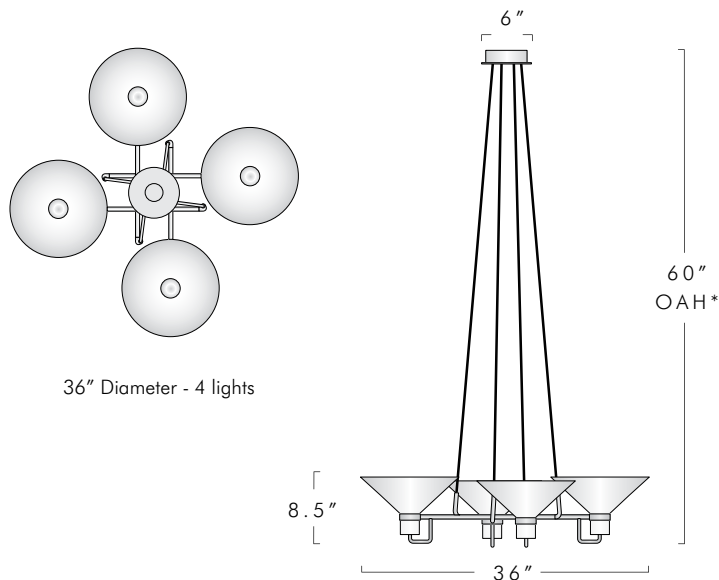
### CEILING PLATE

6 Diameter

### ELECTRICAL

4 x 8w E26 LED Bulb (75w incandescent equivalent) Total 32 watts (300w equivalent - warm white, dimmable)

\*Custom drop lengths can be specified.







All Lighting Design and Design Elements are ©2011 Jonathan Browning Studios, Inc.

## LE DIAMANT CHANDELIER

### DESCRIPTION

The Le Diamant chandelier is made from heavy wall brass tubes. The four square tubes terminate at each end of a round tube which is offset at various angles. Each round tube terminates with a frosted tubular bulb. These 8 lights create a diamond shape of light offset from the center diamond structure. The electrical cord suspends this brass body at any desired drop length. Ceiling plate is milled of solid brass.

### FINISHES

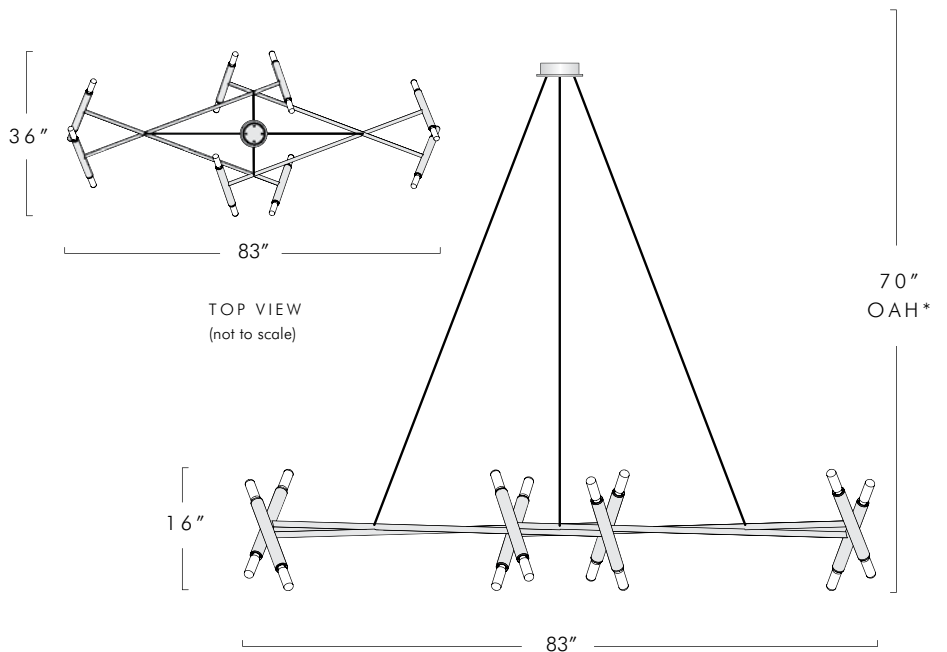
Shown in Oil Rubbed Bronze (standard). Please inquire about our other finishes. Note: All finishes may vary slightly.

MODEL #	DIMENSIONS	NET WT.
1 5 5 6	83W x 36D x 16H 70" OAH*	30 lbs

**CEILING PLATE**  
6" Diameter

**ELECTRICAL**  
16 x E26 25w - 400w max - LED available

\*Custom drop lengths can be specified.







All Lighting Design and Design Elements are ©2013 by Jonathan Browning Studios, Inc.

## LE PENTAGONE CHANDELIER

### DESCRIPTION

Le Pentagone chandelier is made from heavy wall brass tubes. The five square tubes terminate at each end at a round tube which is offset at various angles. Each round tube terminates with a frosted tubular bulb. These 20 lights create a round circle of light offset from the center pentagonal structure. The electrical cord suspends this brass body at any desired drop length. Ceiling plate is milled of solid brass.

### FINISHES

Shown in Oil Rubbed Bronze (standard). Please inquire about our other finishes. Note: All finishes may vary slightly.

MODEL #	DIMENSIONS	NET WT.
1 3 5 3	8' Diam x 16 H x 72 OAH*	38 lbs
1 3 5 4	7' Diam x 16 H x 72 OAH*	35 lbs
1 3 5 8	6' Diam x 16 H x 72 OAH*	32 lbs
1 3 5 7	5' Diam x 14 H x 60 OAH*	29 lbs
1 3 5 9	4' Diam x 14 H x 60 OAH*	28 lbs (Standard)
	3' Diam - see Le Petite Pentagone	

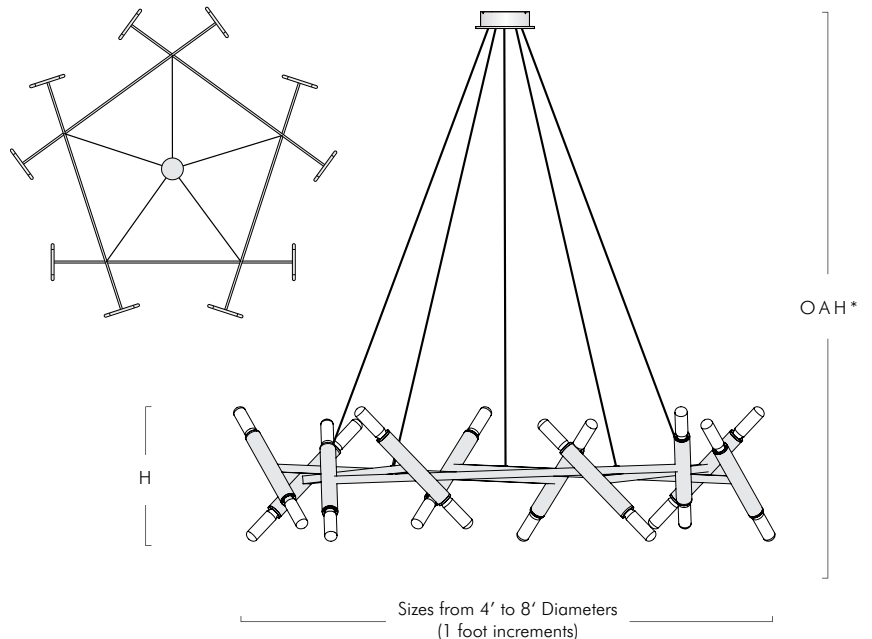
### CEILING PLATE

6" Diameter

### ELECTRICAL

20 x E26 25w - 500w max - LED available

\*Custom drop lengths can be specified.









All Lighting Design and Design Elements are ©2014 by Jonathan Browning Studios, Inc.

## LE PETITE PENTAGONE CHANDELIER

### DESCRIPTION

Le Petite Pentagone chandelier is made from heavy wall brass tubes. The square tubes terminate at each end into a round tube which is offset at various angles. Each round tube terminates with a frosted tubular bulb. These 20 lights create a round circle of light offset from the center pentagonal structure. The electrical cord suspends this brass body at any desired drop length. Ceiling plate is milled of solid brass.

### FINISHES

Shown in Oil Rubbed Bronze (standard). Please inquire about our other finishes. Note: All finishes may vary slightly.

MODEL #	DIMENSIONS	NET WT.
1 3 5 6	36 Diam x 10 H x 54 OAH*	15 lbs

### CEILING PLATE

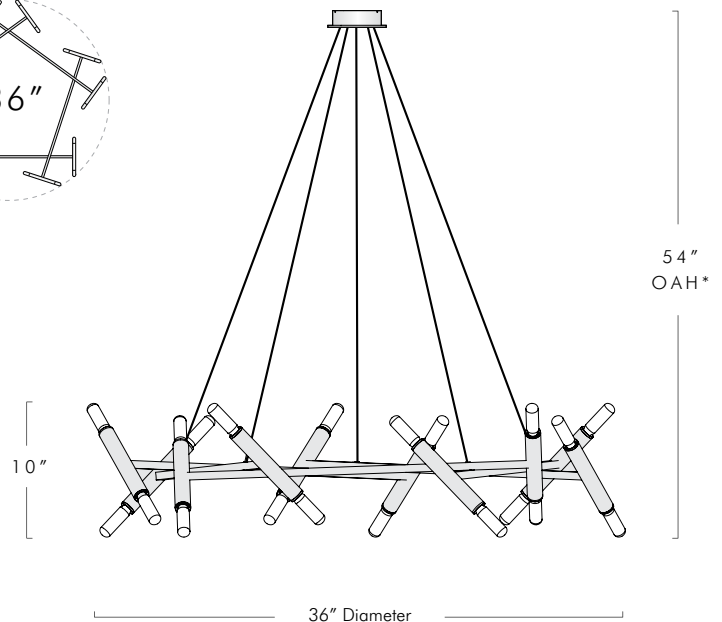
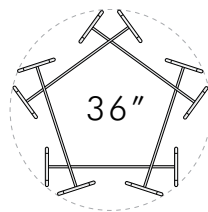
6" Diameter

### ELECTRICAL

20 x E12 15w - 300w max - LED available

### NOTE ON SIZES

The Petite Pentagon is our smallest version of this chandelier. It is also known as Le Pentagone (see tearsheet) and is available in 1 foot diameter increments from 4' to 8'.



\*Custom drop lengths can be specified.





All Lighting Design and Design Elements are ©2020 by Jonathan Browning Studios, Inc.

## LE PENTAGONE PENDANT

### DESCRIPTION

The Le Pentagone Pendant is machined by hand from solid brass. All parts are hand polished and patina'd.

### FINISHES

Shown in Oil Rubbed Bronze (standard). Please inquire about our other finishes. Note: All finishes may vary slightly.

MODEL #	DIMENSIONS	NET WT.
1 8 4 8	16.5 Dia x 60 OAD*	15 lbs

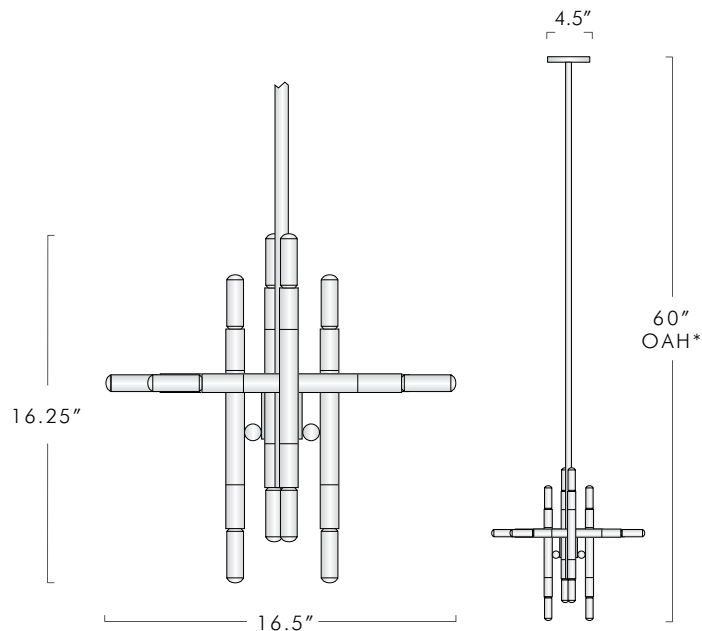
### CEILING PLATE

4.5" Diameter

### ELECTRICAL

16 x E12 25W - 400W Max - LED Available

\*Custom drop lengths can be specified.







All Lighting Design and Design Elements are ©2016 by Jonathan Browning Studios, Inc.

**MONTALEMBERT CHANDELIER  
- 6 LIGHT**

**DESCRIPTION**

The Montalembert Chandelier is machined from solid brass. All parts are hand polished and patina'd. The lead crystal shades are carved and polished by hand.

**FINISHES**

Shown in Oil Rubbed and Lite Antique Bronze (standard). Please inquire about our other finishes. Note: All finishes may vary slightly.

**SHADE**

Lead Crystal.

**MODEL #**

1 6 5 8

**DIMENSIONS**

36 Diameter x 60 OAH\*

**NET WT.**

43 lbs

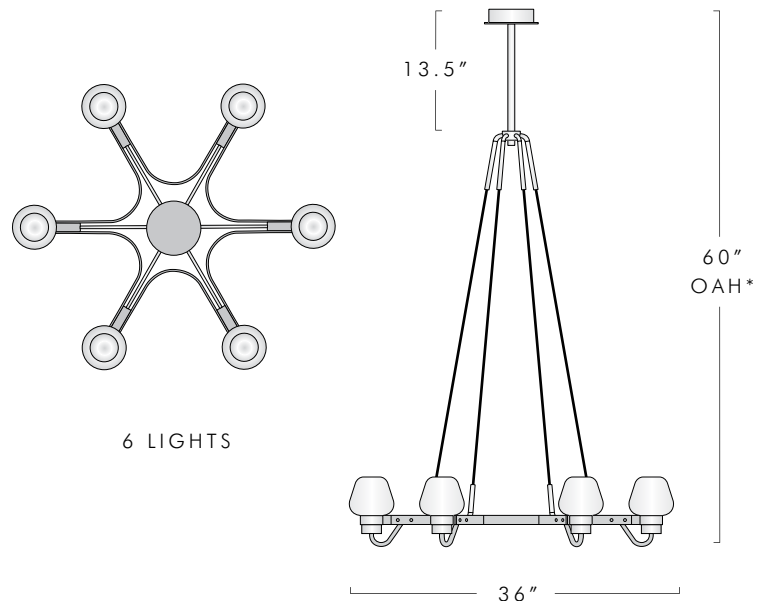
**CEILING PLATE**

6" Diameter

**ELECTRICAL**

6 x E12 25w - 360w max - LED Available

\*Custom drop lengths can be specified.









All Lighting Design and Design Elements are ©2016 by Jonathan Browning Studios, Inc.

**MONTALEMBERT CHANDELIER  
- 3 LIGHT**

**DESCRIPTION**

The Montalembert Chandelier is machined from solid brass. All parts are hand polished and patina'd. The lead crystal shades are carved and polished by hand.

**FINISHES**

Shown in Oil Rubbed and Lite Antique Bronze (standard). Please inquire about our other finishes. Note: All finishes may vary slightly.

**SHADE**

Lead Crystal.

**MODEL #**

1 6 5 7

**DIMENSIONS**

36 Diameter x 60 OAH\*

**NET WT.**

25 lbs

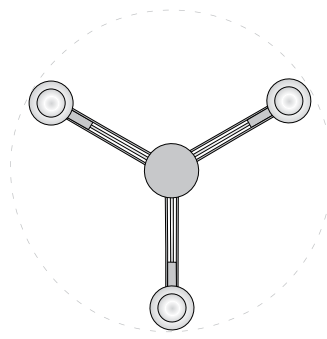
**CEILING PLATE**

6" Diameter

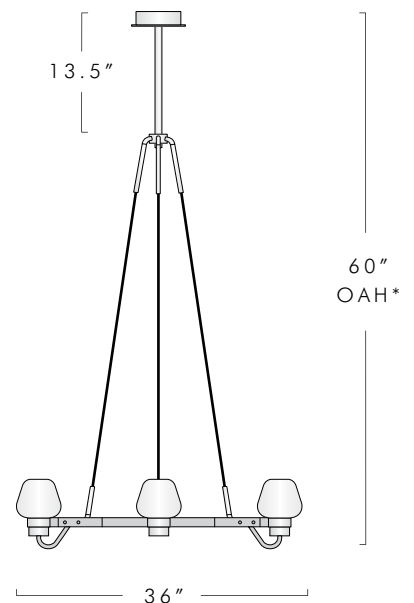
**ELECTRICAL**

3 x E12 25w - 180w max - LED Available

\*Custom drop lengths can be specified.



3 LIGHTS  
36" DIAMETER







All Lighting Design and Design Elements are ©2017 by Jonathan Browning Studios, Inc.

**MONTALEMBERT 4 LIGHT PENDANT**

**DESCRIPTION**

The Montalembert 4 Light Pendant is machined from solid brass. All parts are hand polished and patina'd. The lead crystal shades are carved and polished by hand.

**FINISHES**

Shown in Oil Rubbed and Lite Antique Bronze (standard). Please inquire about our other finishes. Note: All finishes may vary slightly.

**SHADE**

Lead Crystal.

**MODEL #**

1 7 6 7

**DIMENSIONS**

17.25 Diam x 60 OAH\*

**NET WT.**

30 lbs

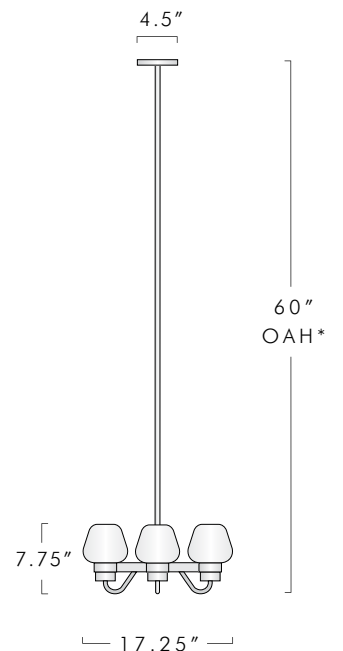
**CEILING PLATE**

4.5" Diameter

**ELECTRICAL**

4 x E12 25w - 240w max - LED Available

\*Custom drop lengths can be specified.









All Lighting Design and Design Elements are ©2016 by Jonathan Browning Studios, Inc.

## MONTALEMBERT LINEAR CHANDELIER

### DESCRIPTION

The Montalembert Linear Chandelier is machined from solid brass. All parts are hand polished and patina'd. The lead crystal shades are carved and polished by hand.

### FINISHES

Shown in Oil Rubbed and Lite Antique Bronze (standard). Please inquire about our other finishes. Note: All finishes may vary slightly.

### SHADE

Lead Crystal.

### MODEL #

1 6 5 9

### DIMENSIONS

60L x 16.75 W x 60 OAH\*

### NET WT.

98 lbs

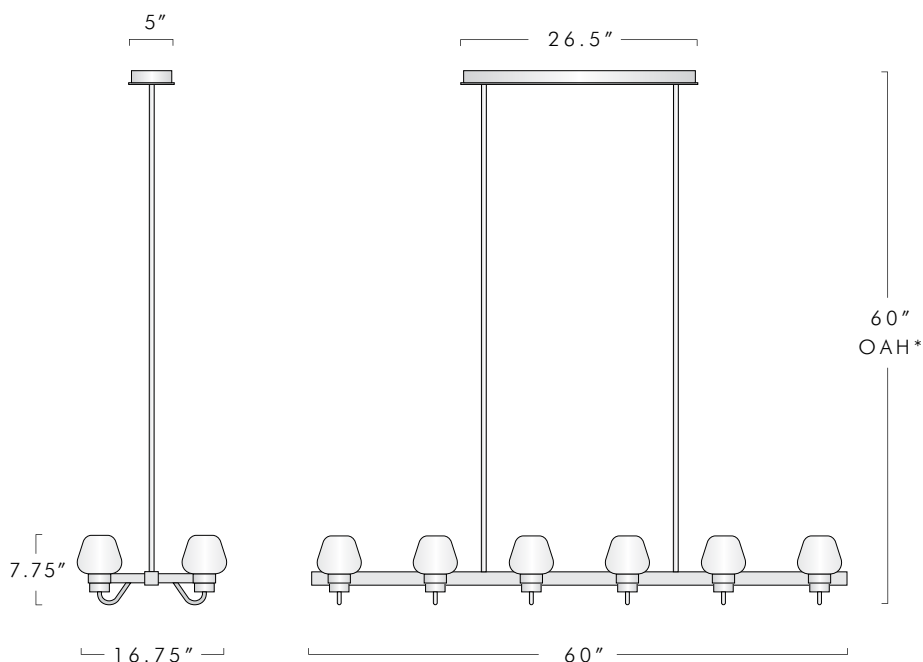
### CEILING PLATE

26.5 L x 5 D - Some additional blocking will be required.

### ELECTRICAL

12 x E12 25w - 480w max - LED Available

\*Custom drop lengths can be specified.









All Lighting Design and Design Elements are ©2015 by Jonathan Browning Studios, Inc.

## MONTFAUCON CHANDELIER

### DESCRIPTION

The Montfaucou Chandelier is machined from solid brass. The shades are handmade of white porcelain. Shades are unglazed, making them translucent.

### FINISHES

Shown in Oil Rubbed Bronze (standard). Please inquire about our other finishes. Note: All finishes may vary slightly.

### SHADE

Unglazed Porcelain. Due to the hand-made nature of these porcelain shades, the thickness, height and texture will vary slightly.

### MODEL #

1 5 6 0

### DIMENSIONS

48 Diam x 60 OAH\*

### NET WT.

21 lbs

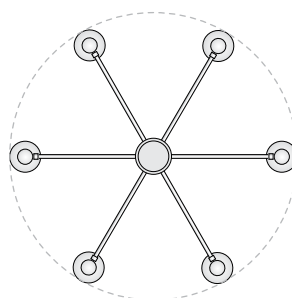
### CEILING PLATE

6" Diameter

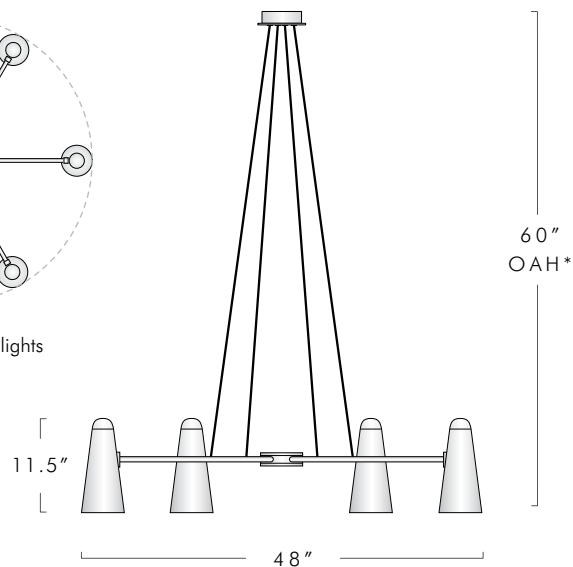
### ELECTRICAL

6 x 8w LED Bulb Only - (75w incandescent equivalent)  
Total 48w - (450w equivalent), Warm White, Dimmable

\*Custom drop lengths can be specified.



48" Diameter - 6 lights







All Lighting Design and Design Elements are ©2016 by Jonathan Browning Studios, Inc.

## MONTFAUCON 3 LIGHT PENDANT

### DESCRIPTION

The Montfaucou 3 Light Pendant is machined by hand from solid brass. All parts are hand polished and patina'd. The hand made shades are unglazed porcelain.

### FINISHES

Shown in Oil Rubbed Bronze and Black Bronze (standard). Please inquire about our other finishes. Note: All finishes may vary slightly.

### SHADE

Unglazed Porcelain. Due to the hand-made nature of these porcelain shades, the thickness, height and texture will vary slightly.

### MODEL #

1 6 6 0

### DIMENSIONS

21 Diam x 60 OAH\*

### NET WT.

12 lbs

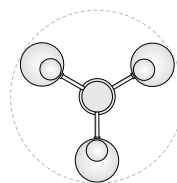
### CEILING PLATE

4.5" Diameter

### ELECTRICAL

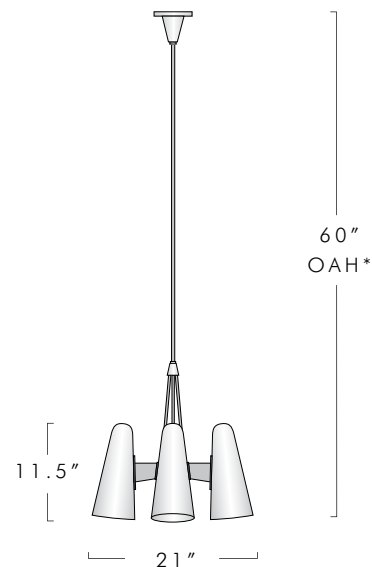
3 x 8w LED Bulb Only - (75w incandescent equivalent)  
Total 24w - (225w equivalent), Warm White, Dimmable

\*Custom drop lengths can be specified.



21" Diameter - 3 lights

11.5" Unglazed Porcelain Shades







## MONTFAUCON PENDANT

### DESCRIPTION

The Montfaucou Pendant is machined by hand from solid brass. All parts are hand polished and patina'd. The unglazed porcelain shade is made by hand.

### FINISHES

Shown in Oil Rubbed Bronze (standard). Please inquire about our other finishes. Note: All finishes may vary slightly.

### SHADE

Unglazed Porcelain. Due to the hand-made nature of these porcelain shades, the thickness, height and texture will vary slightly.

MODEL #	DIMENSIONS	NET WT.
1 6 6 4	5.25 Diam x 60 OAH*	3 lbs

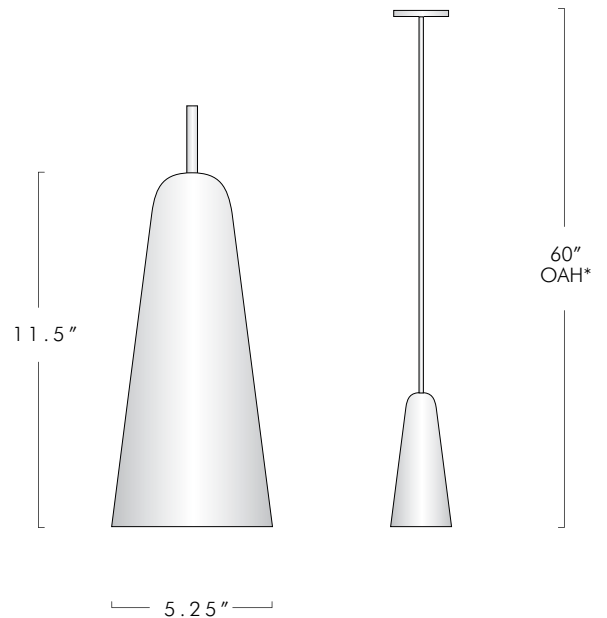
### CEILING PLATE

4.5" Diameter

### ELECTRICAL

1 x 8w LED Bulb Only - (75w incandescent equivalent)  
Warm White, Dimmable

\*Custom drop lengths can be specified.









All Lighting Design and Design Elements are ©2019 by Jonathan Browning Studios, Inc.

## PASTIS LINEAR CHANDELIER

### DESCRIPTION

The Pastis Linear Chandelier is machined from solid brass. All parts are hand polished and patina'd. The reeded borosilicate glass shades are notched to delicately rest on each brass arm.

### FINISHES

Shown in Oil Rubbed Bronze (standard). Please inquire about our other finishes. Note: All finishes may vary slightly.

### SHADE

Reeded Borosilicate Glass.

MODEL #	DIMENSIONS	NET WT.
2 2 0 6	60" W x 11" D x 60" OAH*	75 lbs

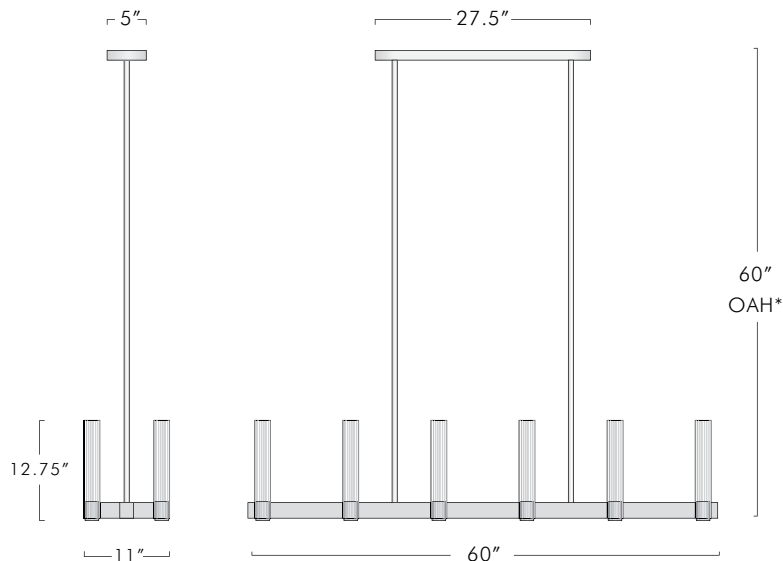
### CEILING PLATE/J-BOX

27.5" x 5" / J-Box on center - Additional blocking may be required.

### ELECTRICAL

12 x E26 40W - 480W Max - LED Available

\*Custom drop lengths can be specified.







## PASTIS 4 LIGHT PENDANT

### DESCRIPTION

The Pastis 4 Light Pendant is machined from solid brass. All parts are hand polished and patina'd. The reeded borosilicate glass shades are notched to delicately rest on each brass arm.

### FINISHES

Shown in Oil Rubbed Bronze (standard). Please inquire about our other finishes. Note: All finishes may vary slightly.

### SHADE

Reeded Borosilicate Glass.

MODEL #	DIMENSIONS	NET WT.
2 2 0 7	9.5" Diam x 60" OAH*	22 lbs

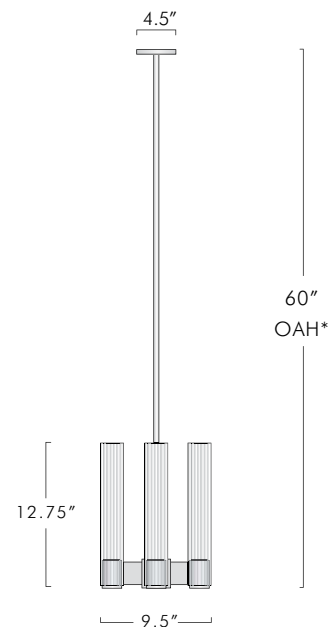
### CEILING PLATE/J-BOX

4.5" Diameter.

### ELECTRICAL

4 x E26 40w T8 - 160w max  
4 x E26 3.5w T8 LED filament bulb available

\*Custom drop lengths can be specified.







## PASTIS CIRCULAR CHANDELIER

### DESCRIPTION

The Pastis Circular Chandelier is machined from solid brass. All parts are hand polished and patina'd. The reeded borosilicate glass shades are notched to delicately rest on each brass arm.

### FINISHES

Shown in Oil Rubbed Bronze (standard). Please inquire about our other finishes. Note: All finishes may vary slightly.

### SHADE

Reeded Borosilicate Glass

MODEL #	DIMENSIONS	NET WT.
2 2 2 8	48 Diameter x 60 OAH*	38 lbs

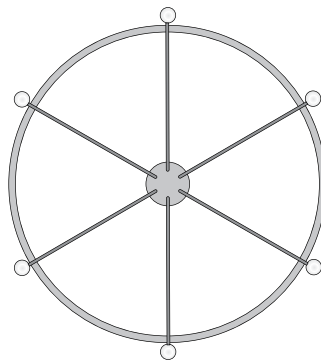
### CEILING PLATE

6" Diameter

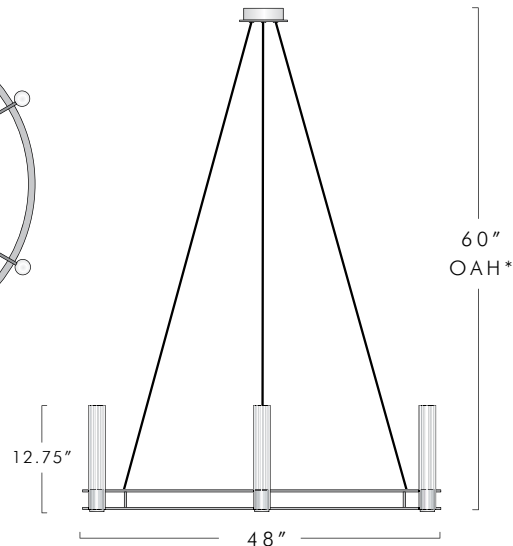
### ELECTRICAL

6 x E26 40w T8 - 240w max  
6 x E26 3.5w T8 LED filament bulb available

\*Custom drop lengths can be specified.



48" Diameter - 6 lights









All Lighting Design and Design Elements are ©2018 by Jonathan Browning Studios, Inc.

## PLATIERE CIRCULAR CHANDELIER

### DESCRIPTION

The Platiere Circular Chandelier is machined from solid brass. All parts are polished and patina'd. The shades are handmade of white frosted soda-lime glass.

### FINISHES

Shown in Oil Rubbed Bronze (standard). Please inquire about our other finishes. Note: All finishes may vary slightly.

### SHADE

White frosted soda-lime glass.

### MODEL #

1 7 2 3

### DIMENSIONS

60 DIA x 60 OAH\*

### NET WT.

50 lbs

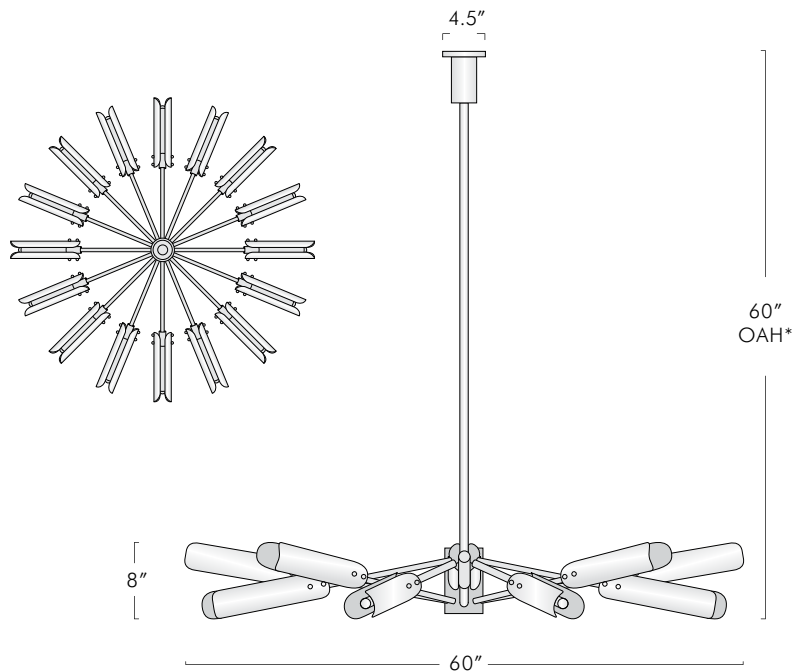
### CEILING PLATE / J-BOX

4.5" Diameter - Additional blocking may be required.

### ELECTRICAL

16 x E26 40W - 640W Max - LED Available

\*Custom drop lengths can be specified.







All Lighting Design and Design Elements are ©2018 by Jonathan Browning Studios, Inc.

## PLATIERE LINEAR CHANDELIER

### DESCRIPTION

The Platiere Linear Chandelier is machined from solid brass. All parts are polished and patina'd. The shades are handmade of white frosted soda-lime glass.

### FINISHES

Shown in Oil Rubbed Bronze (standard). Please inquire about our other finishes. Note: All finishes may vary slightly.

### SHADE

White frosted soda-lime glass.

MODEL #	DIMENSIONS	NET WT.
1 7 2 2	60 W x 12.25 D x 60 OAH*	85 lbs

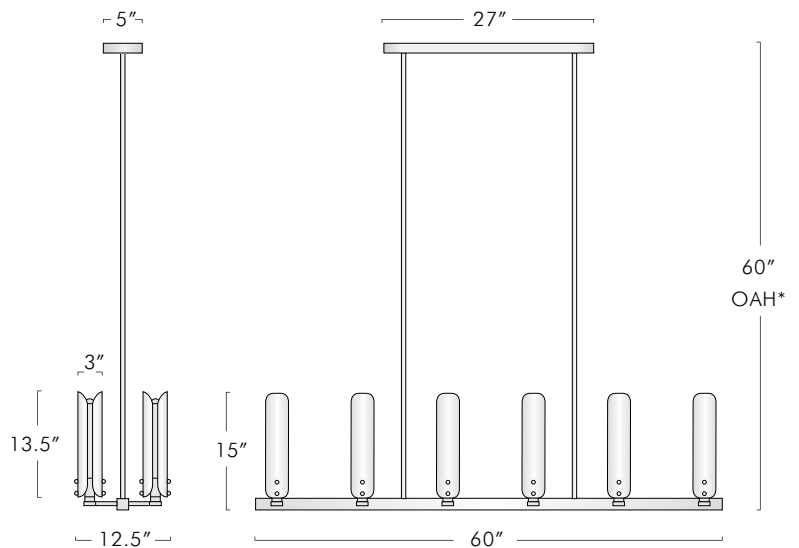
### CEILING PLATE/J-BOX

27" x 5" / J-Box on center - Additional blocking may be required.

### ELECTRICAL

16 x E26 40W - 640W Max - LED Available

\*Custom drop lengths can be specified.







## RAMEAU 10 LIGHT CIRCULAR CHANDELIER

### DESCRIPTION

The Rameau 10 Light Circular Chandelier is made up of ten brass pendants, each consisting of four lights. All parts are hand polished and patina'd. The ceiling plate is made in stainless steel.

### FINISHES

Shown in Oil Rubbed Bronze - ceiling plate Dark Steel (standard). Please inquire about our other finishes. Note: All finishes may vary slightly.

MODEL #	DIMENSIONS	NET WT.
1 8 0 4	24 DIA x 72 OAH*	70 lbs

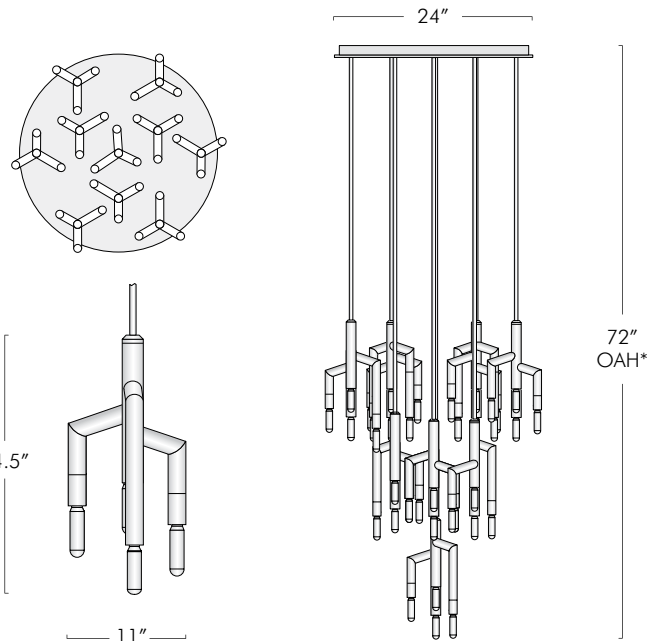
### CEILING PLATE/J-BOX

24" Diameter / J-Box on center - Additional blocking may be required.

### ELECTRICAL

40 x E12 2W LED - 600W Max - LED Standard

\*Custom drop lengths can be specified.









All Lighting Design and Design Elements are ©2021 by Jonathan Browning Studios, Inc.

## RAMEAU CIRCULAR CHANDELIER

### DESCRIPTION

The Rameau Circular Chandelier is made from heavy walled brass tubing. The ceiling plate is machined from solid brass. All parts are hand polished and patina'd.

### FINISHES

Shown in Oil Rubbed Bronze (standard). Please inquire about our other finishes. Note: All finishes may vary slightly.

### SHADE

Brass.

### MODEL #

1 8 3 9

### DIMENSIONS

60" Diameter x 60 OAH\*

### NET WT.

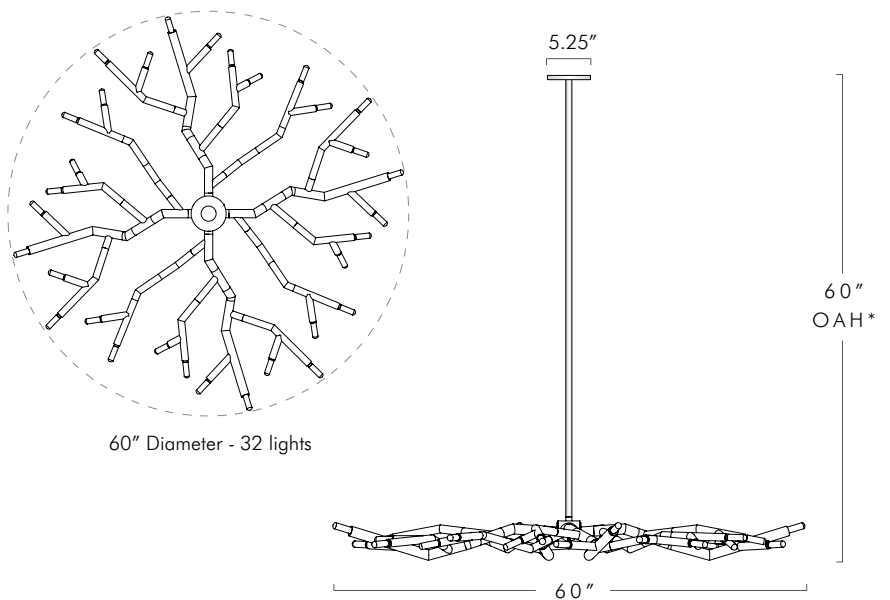
40 lbs

### CEILING PLATE

5.25" Diameter - Additional blocking may be required.

### ELECTRICAL

32 x E12 2W LED - 480W Max - LED Standard







All Lighting Design and Design Elements are ©2018 by Jonathan Browning Studios, Inc.

## RAMEAU LINEAR CHANDELIER

### DESCRIPTION

The Rameau Linear Chandelier is made up of twelve brass pendants, each consisting of four lights. All parts are hand polished and patina'd. The ceiling plate is made in stainless steel.

### FINISHES

Shown in Oil Rubbed Bronze - ceiling plate Black Bronze (standard). Please inquire about our other finishes. Note: All finishes may vary slightly.

MODEL #	DIMENSIONS	NET WT.
1 8 0 5	60 W x 15.5 D x 60 OAH*	75 lbs

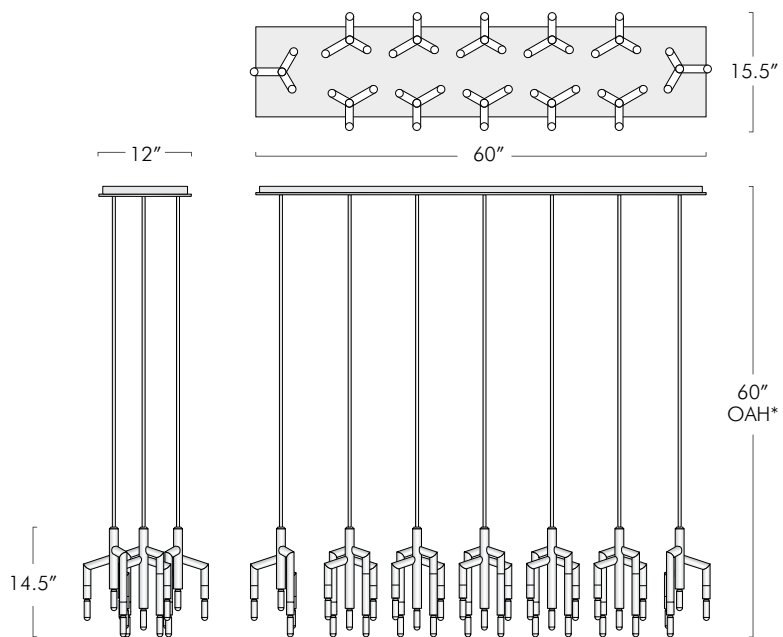
### CEILING PLATE/J-BOX

60"W x 12"D / J-Box on center - Additional blocking or anchoring may be required.

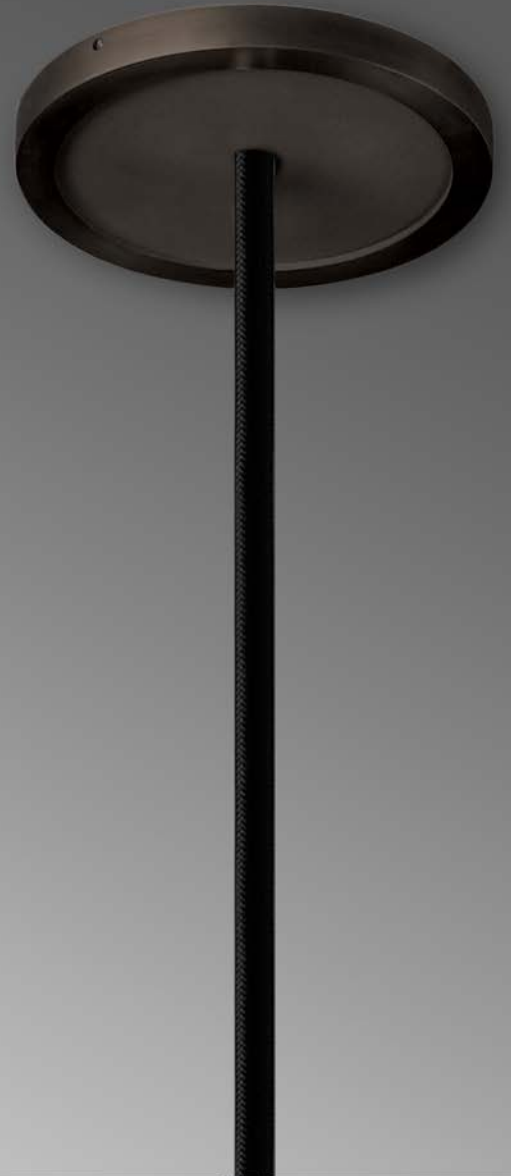
### ELECTRICAL

48 x E12 2W LED - 720W Max - LED Standard

\*Custom drop lengths can be specified.







## RAMEAU PENDANT

### DESCRIPTION

The Rameau Pendant is machined from solid brass. All parts are hand polished and patina'd.

### FINISHES

Shown in Oil Rubbed Bronze (standard). Please inquire about our other finishes. Note: All finishes may vary slightly.

MODEL #	DIMENSIONS	NET WT.
1768	6.75W x 5D x 60OAH*	4.5 lbs

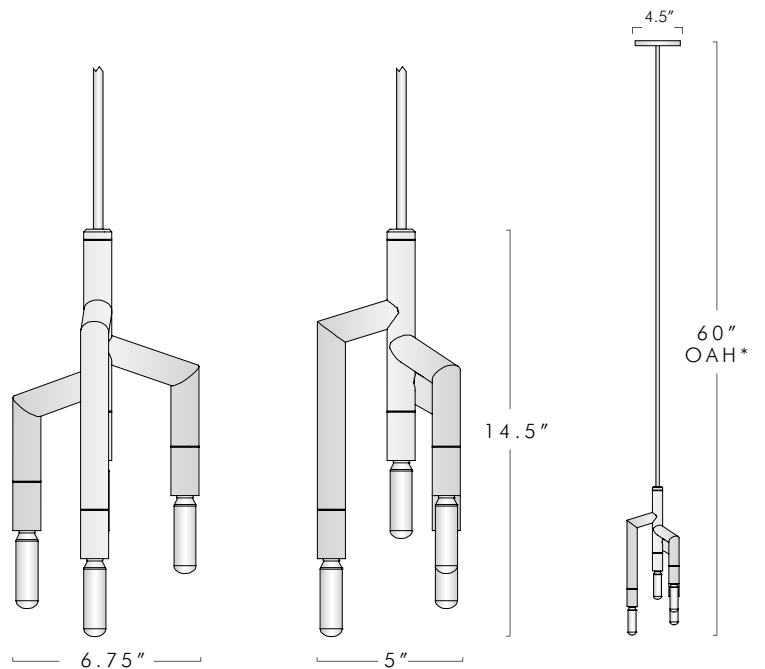
### CEILING PLATE

4.5" Diameter

### ELECTRICAL

4 x E12 4W LED - 160W Max - LED Standard

\*Custom drop lengths can be specified









## TRUMILLY AMPHORA PENDANT

### DESCRIPTION

The Trumilly Amphora Pendant is machined by hand from solid brass. All parts are hand polished and patina'd. The frosted Amphora blown glass is secured by machined brass parts.

### FINISHES

Shown in Oil Rubbed Bronze (standard). Please inquire about our other finishes. Note: All finishes may vary slightly.

### SHADE

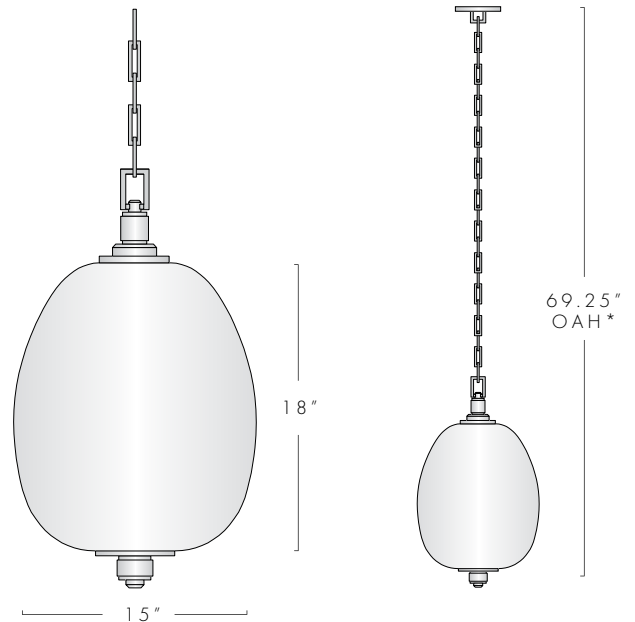
Frosted Blown Glass - Amphora.

MODEL #	DIMENSIONS	NET WT.
2 1 4 8	15 DIA x 69.25 OAH*	28 lbs

**CEILING PLATE / J-BOX**  
5.25" Diameter

**ELECTRICAL**  
1 x E26 5W LED Bulb Only

\*Custom drop lengths can be specified.







All Lighting Design and Design Elements are ©2022 by Jonathan Browning Studios, Inc.

## TRUMILLY CLOCHE PENDANT

### DESCRIPTION

The Trumilly Cloche Pendant is machined by hand from solid brass. All parts are hand polished and patina'd. The frosted Cloche blown glass is secured by machined brass parts.

### FINISHES

Shown in Oil Rubbed Bronze (standard). Please inquire about our other finishes. Note: All finishes may vary slightly.

### SHADE

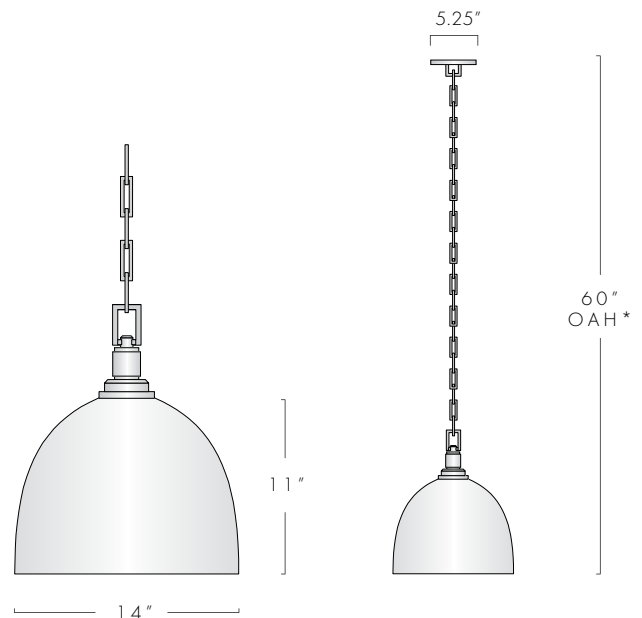
Frosted Blown Glass - Cloche.

MODEL #	DIMENSIONS	NET WT.
2 2 0 9	14 DIA x 60 OAH*	20 lbs

**CEILING PLATE / J-BOX**  
5.25" Diameter

**ELECTRICAL**  
1 x E26 7W LED Bulb Only

\*Custom drop lengths can be specified.







## TRUMILLY CYLINDER PENDANT

### DESCRIPTION

The Trumilly Cylinder Pendant is machined by hand from solid brass. All parts are hand polished and patina'd. The frosted Cylinder blown glasses are secured by machined brass parts.

### FINISHES

Shown in Oil Rubbed Bronze (standard). Please inquire about our other finishes. Note: All finishes may vary slightly.

### SHADE

Frosted Blown Glass - Cylinder.

MODEL #	DIMENSIONS	NET WT.
2 1 5 0	5.25 DIA x 60 OAH*	15 lbs

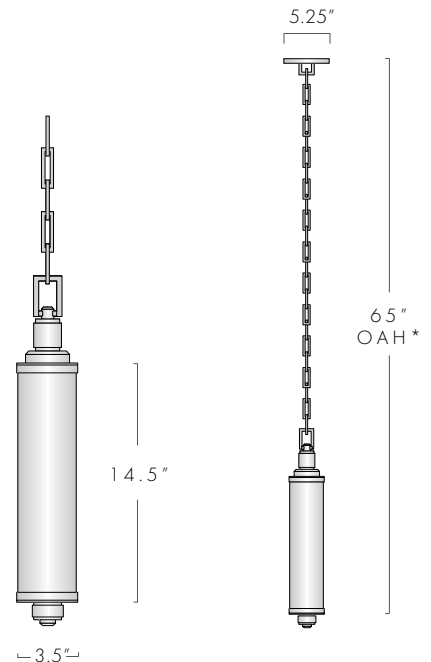
### CEILING PLATE / J-BOX

5.25" Diameter

### ELECTRICAL

1 x E26 5W LED Bulb Only

\*Custom drop lengths can be specified.









## VALETTE CIRCULAR CHANDELIER

### DESCRIPTION

The Valette Circular Chandelier is machined by hand from solid brass. The shade is hand-blown and precision-cut to acquire the unique shape. All parts are hand polished and patina'd.

### FINISHES

Shown in Oil Rubbed Bronze (standard). Please inquire about our other finishes. Note: All finishes may vary slightly.

### SHADE

Clear Glass.

### MODEL #

2 2 2 7

### DIMENSIONS

48 DIA x 60 OAH\*

### NET WT.

35 lbs

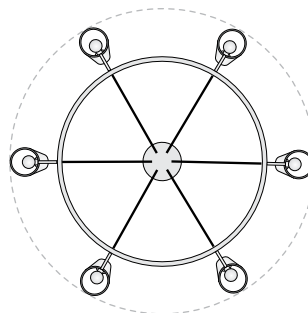
### CEILING PLATE / J-BOX

6" Diameter / J-Box on center

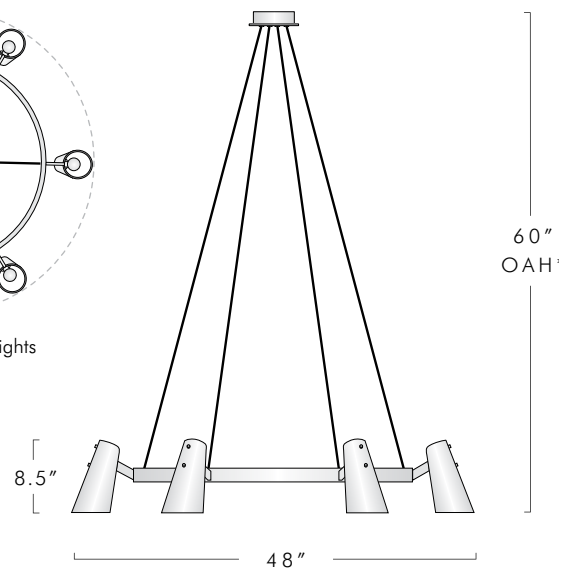
### ELECTRICAL

6 x E12 4W LED bulb

\*Custom drop lengths can be specified.



48" Diameter - 6 lights







All Lighting Design and Design Elements are ©2022 by Jonathan Browning Studios, Inc.

## VALETTE LINEAR CHANDELIER

### DESCRIPTION

The Valette Linear Chandelier is machined by hand from solid brass. The shade is hand-blown and precision-cut to acquire the unique shape. All parts are hand polished and patina'd.

### FINISHES

Shown in Oil Rubbed Bronze (standard). Please inquire about our other finishes. Note: All finishes may vary slightly.

### SHADE

Clear Glass.

### MODEL #

2 2 2 2

### DIMENSIONS

60 W x 16D x 60 OAH\*

### NET WT.

52 lbs

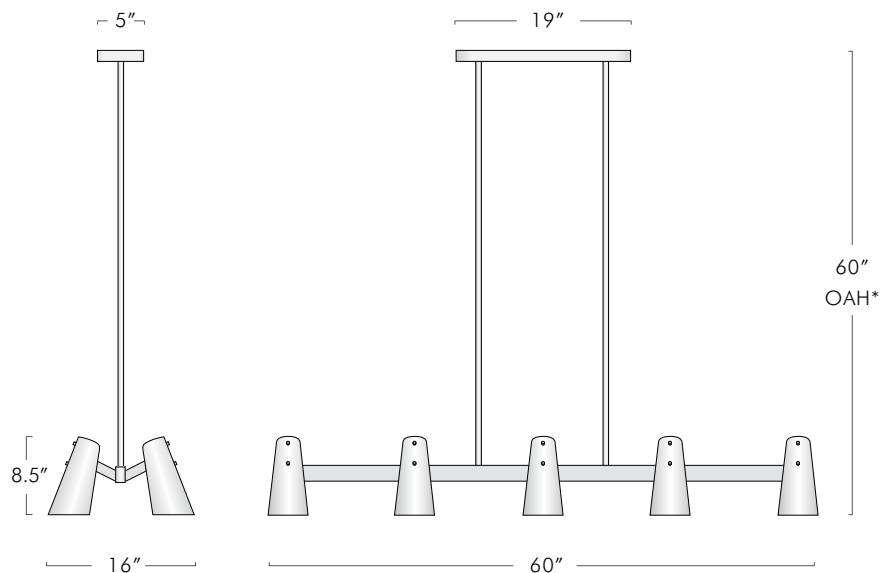
### CEILING PLATE / J-BOX

19" W x 5" D / J-Box on center - Additional blocking or anchoring may be required.

### ELECTRICAL

10 x E12 4W LED bulb

\*Custom drop lengths can be specified.







## VALETTE PENDANT

### DESCRIPTION

The Valette Pendant is machined by hand from solid brass. The shade is hand-blown and precision-cut to acquire the unique shape. All parts are hand polished and patina'd.

### FINISHES

Shown in Oil Rubbed Bronze (standard). Please inquire about our other finishes. Note: All finishes may vary slightly.

### SHADE

Clear Glass.

### MODEL #

2 2 2 1

### DIMENSIONS

20 DIA x 60 OAH\*

### NET WT.

22 lbs

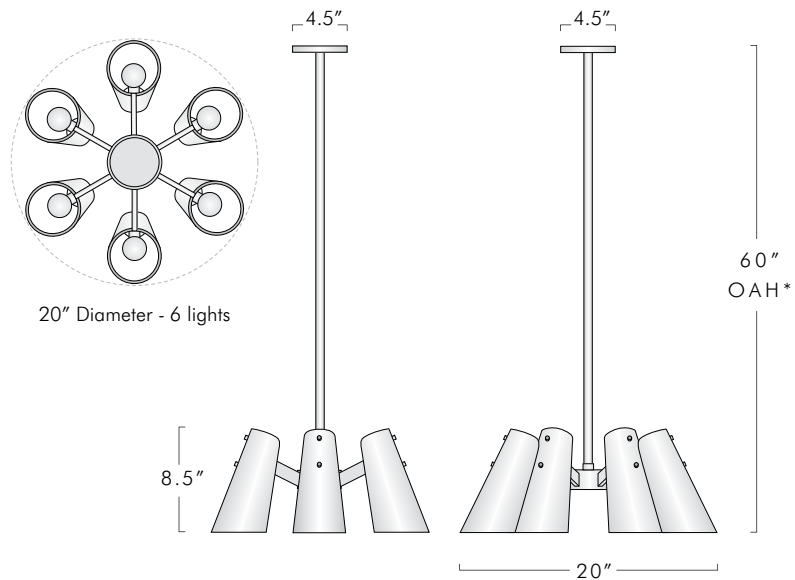
### CEILING PLATE / J-BOX

4.5" Diameter / J-Box on center

### ELECTRICAL

6 x E12 4W LED bulb

\*Custom drop lengths can be specified.









## VICHY LINEAR CHANDELIER

### DESCRIPTION

The Vichy Linear Chandelier consists of fourteen triangular pyramidal shades. Each shade is made by hand of thick walled brass. The body and top plate are machined by hand. All parts are hand polished and patina'd. The exterior of each shade is finished in black bronze and the interior shade is Lite Antique.

### FINISHES

Shown in Black Bronze and Lite Antique (standard). Please inquire about our other finishes. Note: All finishes may vary slightly.

### SHADE

Brass.

MODEL #	DIMENSIONS	NET WT.
1 7 6 1	60 W x 15.5 D x 60 OAH*	70 lbs

### CEILING PLATE

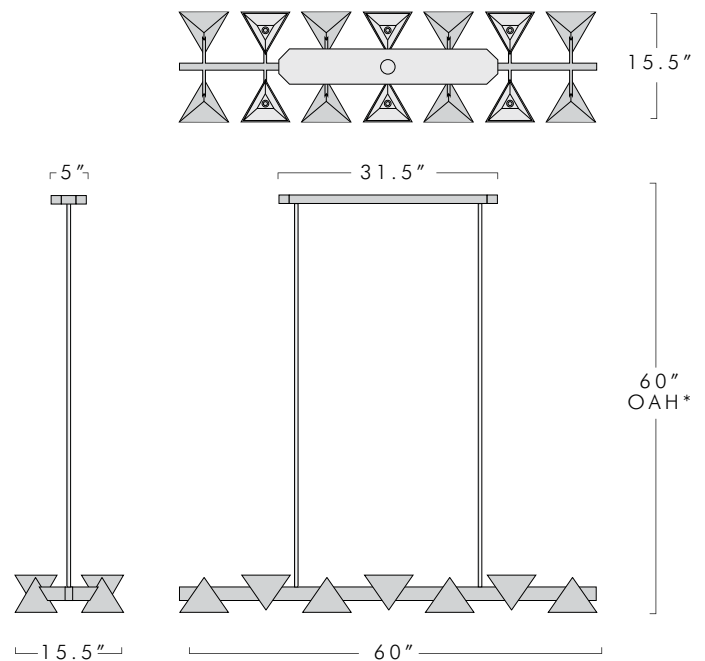
5" x 31.5" - Additional blocking will be required.

### ELECTRICAL

14 x G9 40w - 560w max - LED available

\*Custom drop lengths can be specified.

DIMMABLE  
2700K







## VICHY PENDANT

### DESCRIPTION

The Vichy Pendant consists of a triangular pyramidal shade, made by hand of thick walled brass. All parts are hand polished and patina'd. The exterior is finished in Black Bronze and the interior is Lite Antique Bronze.

### FINISHES

Shown in Black Bronze and Lite Antique (standard). Please inquire about our other finishes. Note: All finishes may vary slightly.

### SHADE

Brass.

### MODEL #

1762

### DIMENSIONS

7 W x 6 D x 60 OAH\*

### NET WT.

5 lbs

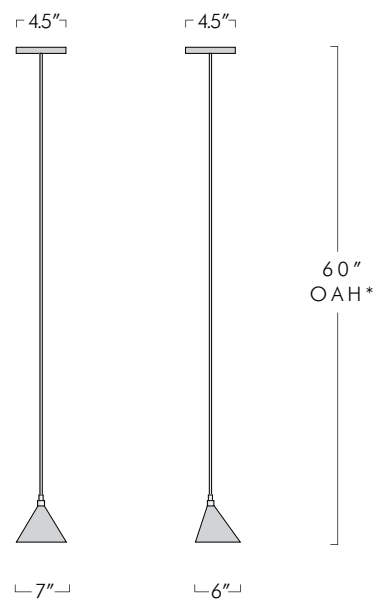
### CEILING PLATE

4.5" Diameter

### ELECTRICAL

1 x G9 40w - 40w Max. LED Available

\*Custom drop lengths can be specified.



DIMMABLE  
2700K







All Lighting Design and Design Elements © 2022 by Jonathan Browning Studios, Inc.

## ANTHÉRON FLUSH MOUNT

### DESCRIPTION

The Anthéron Flush Mount is machined from solid brass. The thick textured glass is made via casting and shows its density and strengths. All parts are hand polished and patina'd.

### FINISHES

Shown in Oil Rubbed Bronze (standard). Please inquire about our other finishes. Note: All finishes may vary slightly.

### SHADE

Textured Cast Glass.

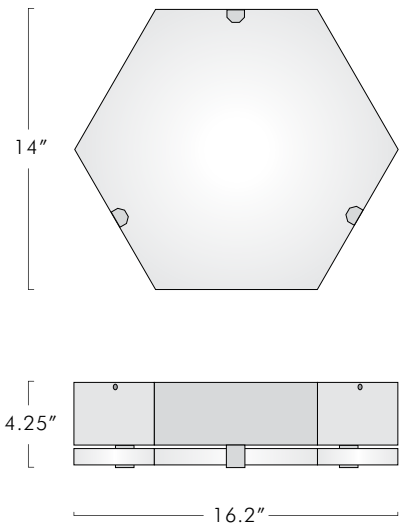
MODEL #	DIMENSIONS	NET WT.
2 1 3 6	16.2 W x 14 D x 4.25 H	32 lbs

### CEILING PLATE

16.2" W x 14" D

### ELECTRICAL

3 x E12 4W LED Bulb Only









All Lighting Design and Design Elements are ©2022 by Jonathan Browning Studios, Inc.

## ALENÇON FLUSH MOUNT

### DESCRIPTION

The Alençon Flush Mount is machined from solid brass. All parts are hand polished and patina'd. The reeded square glass shade is wrapped around in the center by a thick brass band.

### FINISHES

Shown in Oil Rubbed Bronze (standard). Please inquire about our other finishes. Note: All finishes may vary slightly.

### SHADE

Reeded Glass.

### MODEL #

2 1 0 7

### DIMENSIONS

14 W x 14 D x 5.5 H

### NET WT.

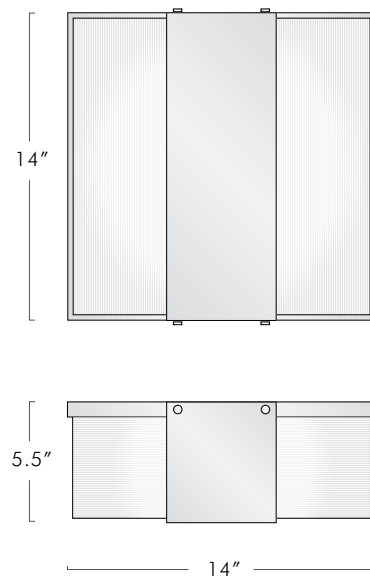
28 lbs

### CEILING PLATE

14" W x 14" D

### ELECTRICAL

2 x E26 5W LED Bulb Only







All Lighting Design and Design Elements are ©2022 by Jonathan Browning Studios, Inc.

## CARON FLUSH MOUNT

### DESCRIPTION

The Caron Flush Mount is machined from solid brass. The opalescent shade is hand-blown. All parts are hand polished and patina'd.

### FINISHES

Shown in Oil Rubbed Bronze (standard). Please inquire about our other finishes. Note: All finishes may vary slightly.

### SHADE

Opalescent Glass.

### MODEL #

2 1 1 6

### DIMENSIONS

14 DIA x 7.25 H

### NET WT.

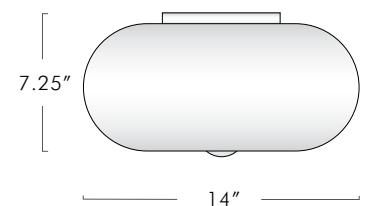
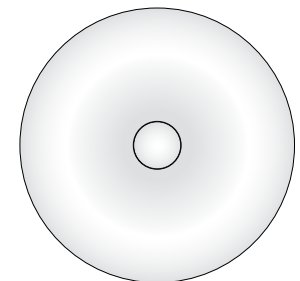
14 lbs

### CEILING PLATE

6" Diameter

### ELECTRICAL

1 x E26 4.5W LED Bulb Only









## CHAMONT FLUSH MOUNT

### DESCRIPTION

The Chamont Flush Mount is machined by hand from solid brass. The shade is made of borosilicate glass which is carved by hand on a diamond wheel. All parts are hand polished and patina'd.

### FINISHES

Shown in Oil Rubbed Bronze (standard). Please inquire about our other finishes. Note: All finishes may vary slightly.

### SHADE

Borosilicate Glass.

### MODEL #

2 1 0 4

### DIMENSIONS

14.25 DIA x 4 H

### NET WT.

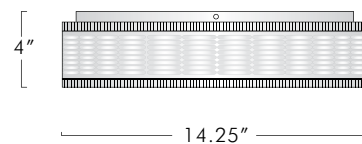
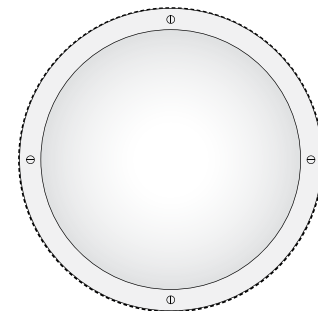
18.5 lbs

### CEILING PLATE

12.125" Diameter

### ELECTRICAL

3 x E12 4W LED Bulbs Only









## CHARTIER FLUSH MOUNT

### DESCRIPTION

The Chartier Flush Mount is machined from solid brass. All parts are hand polished and patina'd. The lead crystal is machined and polished by hand.

### FINISHES

Shown in Oil Rubbed Bronze (standard). Please inquire about our other finishes. Note: All finishes may vary slightly.

### SHADE

Lead Crystal.

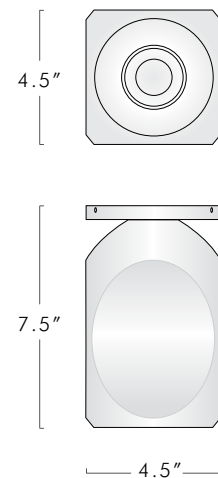
MODEL #	DIMENSIONS	NET WT.
2 1 0 9	4.5 W x 4.5 D x 7.5 H	13 lbs

### CEILING PLATE

4.5" Diameter

### ELECTRICAL

1 x E26 5.5W LED Bulb Only







All Lighting Design and Design Elements are ©2022 by Jonathan Browning Studios, Inc.

## DUVERNOIS FLUSH MOUNT

### DESCRIPTION

The Duvernois Flush Mount is made from solid brass. All parts are hand polished and patina'd. The frosted glass shade is surrounded by a column of brass fins.

### FINISHES

Shown in Oil Rubbed Bronze (standard). Please inquire about our other finishes. Note: All finishes may vary slightly.

### SHADE

Frosted Glass.

### MODEL #

2 1 0 8

### DIMENSIONS

14 DIA x 5 H

### NET WT.

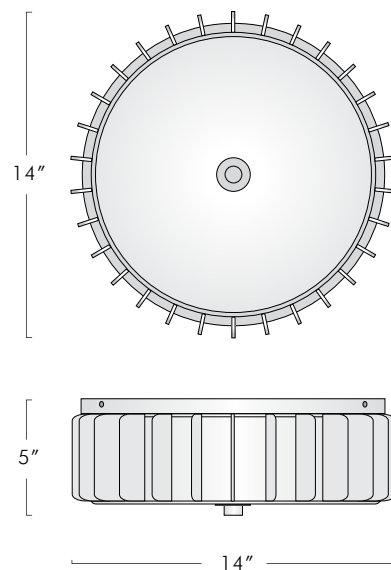
25 lbs

### CEILING PLATE

13" Diameter

### ELECTRICAL

3 x E12 4W LED Bulbs Only









All Lighting Design and Design Elements are ©2018 by Jonathan Browning Studios, Inc.

## GLAÇON SINGLE LIGHT

### DESCRIPTION

The Glaçon Single Light is machined from solid brass. All parts are hand polished and patina'd. The lead crystal is hand carved and surrounds a mirrored bulb. This can be used as a sconce or a ceiling flush mount.

### FINISHES

Shown in Oil Rubbed Bronze (standard). Please inquire about our other finishes. Note: All finishes may vary slightly.

### SHADE

Lead Crystal.

### MODEL #

1 8 2 6

### DIMENSIONS

5.5 W x 4.15 D x 5.5 H

### NET WT.

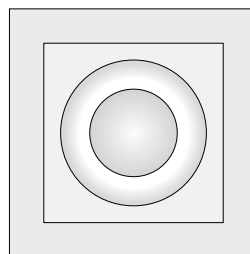
5 lbs

### BACK PLATE / J-BOX

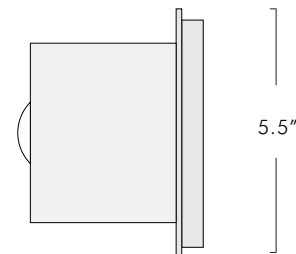
5.5"W x 5.5"H / Top to J-Box center: 2.75"

### ELECTRICAL

1 x E12 40W - 60 W Max - LED Available



5.5"



5.5"

4.15"









All Lighting Design and Design Elements are ©2018 by Jonathan Browning Studios, Inc.

## GLAÇON 4 LIGHT

### DESCRIPTION

The Glaçon 4 Light is machined from solid brass. All parts are hand polished and patina'd. Each lead crystal is hand carved surrounding four mirrored bulbs. This can be mounted on the ceiling or wall.

### FINISHES

Shown in Oil Rubbed Bronze (standard). Please inquire about our other finishes. Note: All finishes may vary slightly.

### SHADE

Lead Crystal.

### MODEL #

1 8 2 3

### DIMENSIONS

11 W x 4.15 D x 11 H

### NET WT.

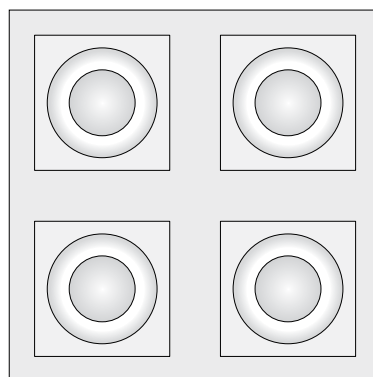
20 lbs

### BACK PLATE / J-BOX

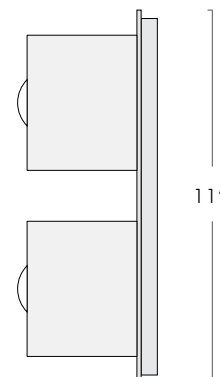
11"W x 11"H / Top to J-Box center: 5.5"

### ELECTRICAL

4 x E12 40W - 240W Max - LED Available



11"



11"

4.15"









All Lighting Design and Design Elements are ©2018 by Jonathan Browning Studios, Inc.

## GLAÇON 9 LIGHT FLUSH MOUNT

### DESCRIPTION

The Glaçon 9 Light Flush Mount is machined from solid brass. All parts are hand polished and patina'd. Each piece of lead crystal is hand carved to surround the pattern of mirrored bulbs. This can be mounted on the ceiling or wall.

### FINISHES

Shown in Oil Rubbed Bronze (standard). Please inquire about our other finishes. Note: All finishes may vary slightly.

### SHADE

Lead Crystal.

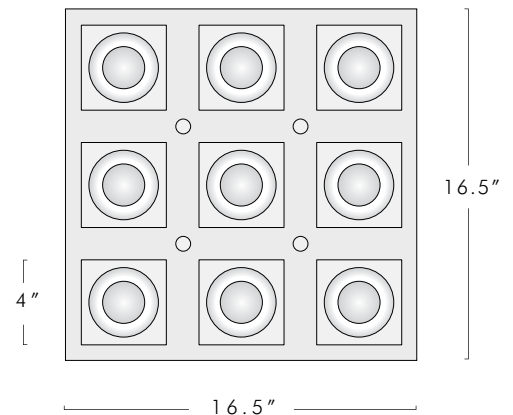
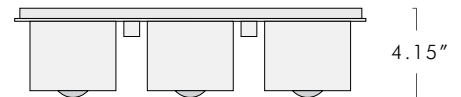
MODEL #	DIMENSIONS	NET WT.
1773	16.5W x 16.5D x 4.15H	42 lbs

### CEILING PLATE

16.5" x 16.5" - Top to J-Box Center: 8.25  
Additional blocking or anchoring may be required.

### ELECTRICAL

9 x E12 25W - 540W Max - LED Available









## LEMONNIER FLUSH MOUNT

### DESCRIPTION

The Lemonnier Flush Mount is made by hand from thick-walled brass. The thick textured cast glass pieces are arranged in the brass frame to form a circle which creates a stunning warm light effect. All parts are hand polished and patina'd.

### FINISHES

Shown in Oil Rubbed Bronze (standard). Please inquire about our other finishes. Note: All finishes may vary slightly.

### SHADE

Textured Cast Glass.

### MODEL #

2 1 2 0

### DIMENSIONS

14.5 DIA x 4.375 H

### NET WT.

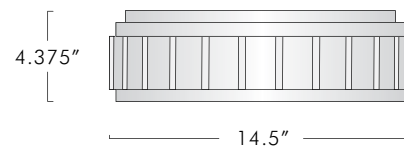
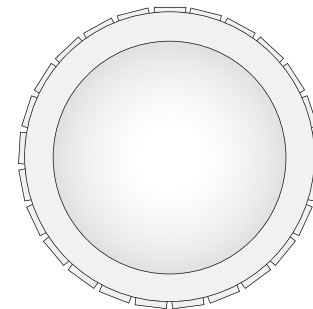
30 lbs

### CEILING PLATE

13" Diameter

### ELECTRICAL

3 x E12 4W LED Bulbs Only









All Lighting Design and Design Elements are ©2022 by Jonathan Browning Studios, Inc.

## LOURMARIN FLUSH MOUNT

### DESCRIPTION

The Lourmarin Flush Mount is machined from solid brass. The thick textured glass is made via casting and shows its density and strengths. All parts are hand polished and patina'd.

### FINISHES

Shown in Oil Rubbed Bronze (standard). Please inquire about our other finishes. Note: All finishes may vary slightly.

### SHADE

Textured Cast Glass.

### MODEL #

2 1 2 8

### DIMENSIONS

8 W x 8 D x 8 H

### NET WT.

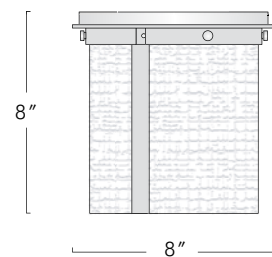
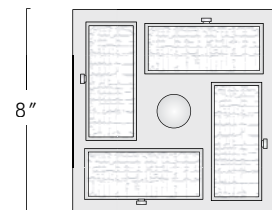
28 lbs

### CEILING PLATE

7.5" W x 7.5" D

### ELECTRICAL

1 x E26 5.5W LED Bulb Only







All Lighting Design and Design Elements are ©2022 by Jonathan Browning Studios, Inc.

## MAUBEC FLUSH MOUNT

### DESCRIPTION

The Maubec Flush Mount is machined from solid brass. All parts are hand polished and patina'd. The lead crystal is machined and polished by hand.

### FINISHES

Shown in Oil Rubbed Bronze (standard). Please inquire about our other finishes. Note: All finishes may vary slightly.

### SHADE

Lead Crystal.

### MODEL #

2 1 2 9

### DIMENSIONS

8 W x 7 D x 11 H

### NET WT.

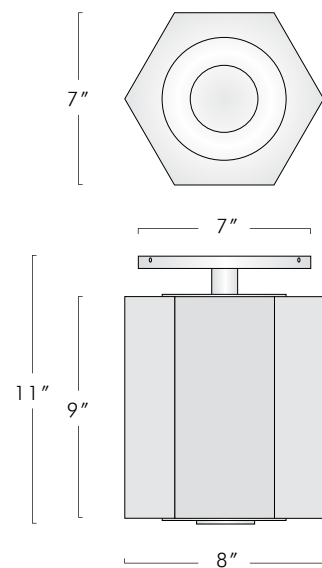
33 lbs

### CEILING PLATE

7" Diameter

### ELECTRICAL

3 x E26 5.5W LED Bulbs Only









All Lighting Design and Design Elements are © 2022 by Jonathan Browning Studios, Inc.

## PÉRIGORD FLUSH MOUNT

### DESCRIPTION

The Périgord Flush Mount is hand-made from thick-walled brass. All parts are hand polished and patina'd. Each lead crystal is machined and polished by hand.

### FINISHES

Shown in Oil Rubbed Bronze (standard). Please inquire about our other finishes. Note: All finishes may vary slightly.

### SHADE

Lead Crystal.

### MODEL #

1 8 2 7

### DIMENSIONS

6 W x 6 D x 9 H

### NET WT.

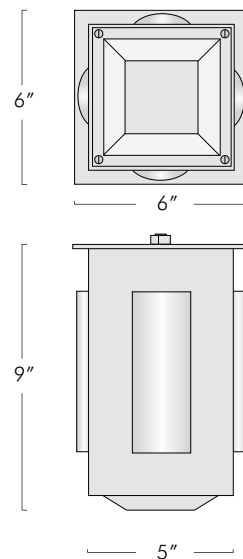
13 lbs

### CEILING PLATE

6" W x 6" D

### ELECTRICAL

1 x E26 5.5W LED Bulb Only









All Lighting Design and Design Elements are ©2022 by Jonathan Browning Studios, Inc.

## PERRET FLUSH MOUNT

### DESCRIPTION

The Perret Flush Mount is machined from solid brass. The outer hand-blown opalescent shade goes over the inner scalloped borosilicate shade and diffuses the light in a distinct circular pattern. All parts are hand polished and patina'd.

### FINISHES

Shown in Oil Rubbed Bronze (standard). Please inquire about our other finishes. Note: All finishes may vary slightly.

### SHADE

Outer opalescent shade and inner scalloped shade.

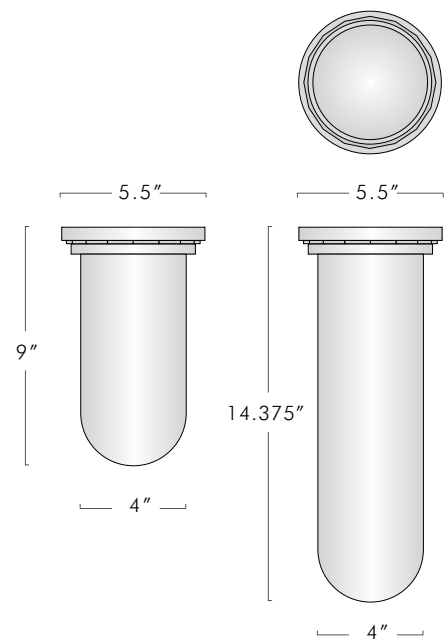
MODEL #	DIMENSIONS	NET WT.
2 0 2 8	5.5 DIA x 14.375 H (Standard)	10 lbs
2 1 0 1	5.5 DIA. x 9' H (Short)	7 lbs

### CEILING PLATE

5.5" Diameter

### ELECTRICAL

- 1 x E26 3.5W LED Bulb Only (Standard)
- 1 x E26 5.5W LED Bulb Only (Short)







All Lighting Design and Design Elements are ©2022 by Jonathan Browning Studios, Inc.

## ROQUEBRUN FLUSH MOUNT

### DESCRIPTION

The Roquebrun Flush Mount is machined from solid brass. The two frosted shades are secured by a knurled ring. Each frosted shade is hand-blown. All parts are hand polished and patina'd.

### FINISHES

Shown in Oil Rubbed Bronze (standard). Please inquire about our other finishes. Note: All finishes may vary slightly.

### SHADE

Frosted Glass.

### MODEL #

2 0 2 4

### DIMENSIONS

13 W x 12 D x 15 H

### NET WT.

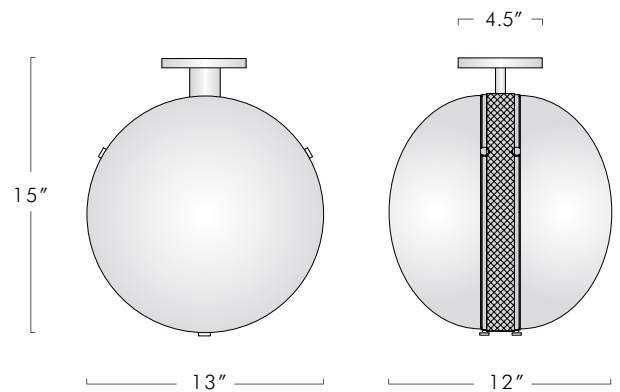
15 lbs

### CEILING PLATE

4.5" Diameter

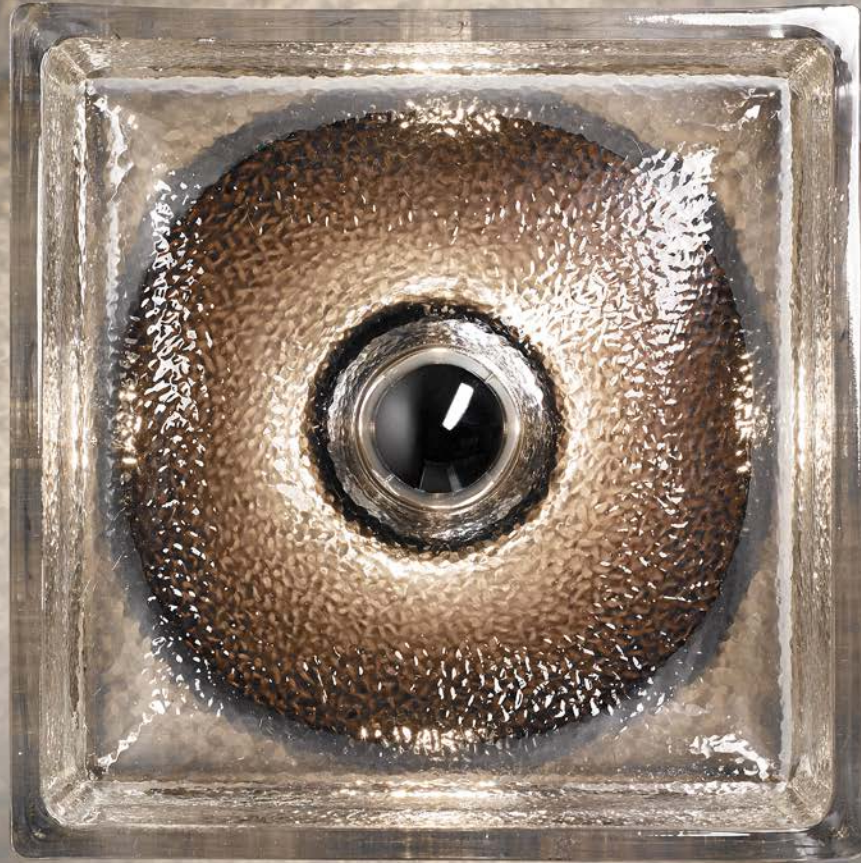
### ELECTRICAL

1 x E26 7W LED Bulb Only









## ROUVILLE FLUSH MOUNT

### DESCRIPTION

The Rouville Flush Mount is machined from solid brass. The thick textured glass is made via casting and shows its density and strengths. All parts are hand polished and patina'd.

### FINISHES

Shown in Oil Rubbed Bronze (standard). Please inquire about our other finishes. Note: All finishes may vary slightly.

### SHADE

Textured Cast Glass.

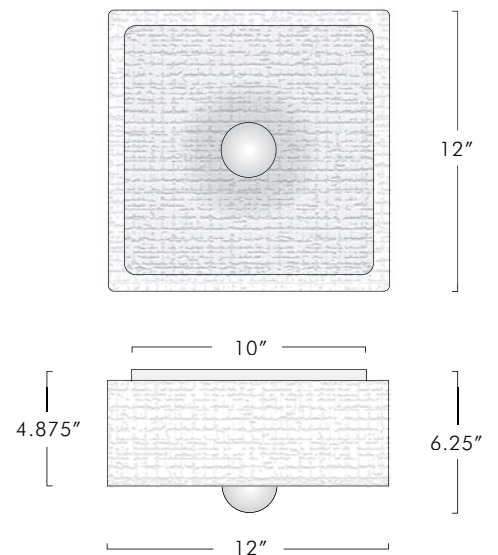
MODEL #	DIMENSIONS	NET WT.
2 2 1 9	12 D x 12 W x 6.25 H	31 lbs

### CEILING PLATE

10" Diameter / J- Box on center

### ELECTRICAL

1 x E26 5W LED Only









## SHIELD FLUSH MOUNT

### DESCRIPTION

The Shield Flush Mount casting is made of solid brass. Its body has been cast from a master carving using the investment cast process. The ceiling plate and stem have been machined by hand. All parts are hand polished and patina'd. The diffuser is borosilicate glass that is bead blasted.

### FINISHES

Shown in Oil Rubbed Bronze with Black Bronze ceiling plate. Also available in Light Antique Bronze, Matte Nickel and Black Bronze. Note: All finishes may vary slightly.

### SHADE

Textured Brass.

### MODEL #

2 3 0 8

### DIMENSIONS

24 DIA x 4.5 H

### NET WT.

18 lbs

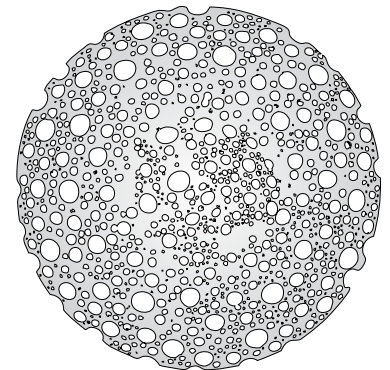
### CEILING PLATE

4.5" Diameter - Centers on J-Box

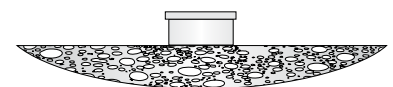
### ELECTRICAL

4 x G9 3.5W LED bulb only

**DIMMABLE**  
**2700K**



4.5"



24"







## VILLIERS FLUSH MOUNT

### DESCRIPTION

The Villiers Flush Mount is machined from solid brass. The thick textured glass is made via casting and shows its density and strengths. All parts are hand polished and patina'd.

### FINISHES

Shown in Oil Rubbed Bronze (standard). Please inquire about our other finishes. Note: All finishes may vary slightly.

### SHADE

Textured Cast Glass.

### MODEL #

2 1 0 6

### DIMENSIONS

15 D x 16 W x 6.625 H

### NET WT.

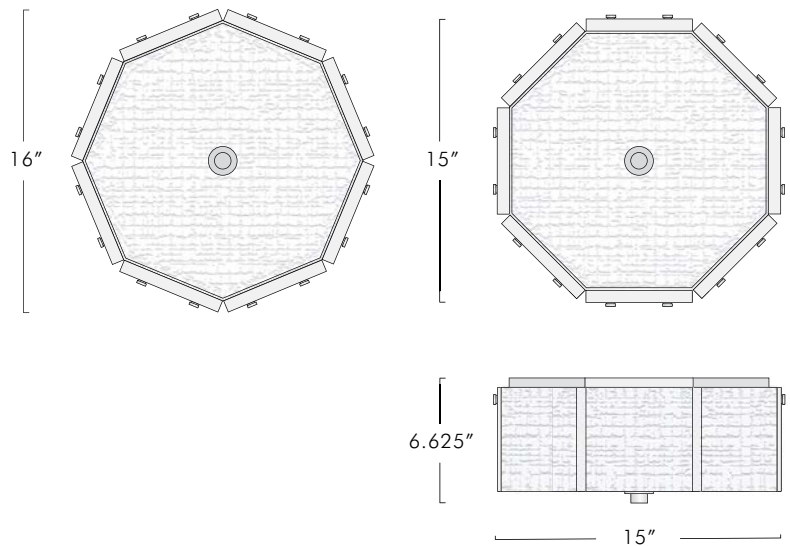
48 lbs

### CEILING PLATE

13.75" Diameter - Additional blocking is highly recommended

### ELECTRICAL

4 x E26 7W LED Bulbs Only







## VERMANDOIS FLUSH MOUNT

### DESCRIPTION

The Vermandois Flush Mount is machined from solid brass. All parts are hand polished and patina'd. The frosted lens is held in place by a knurled brass cap.

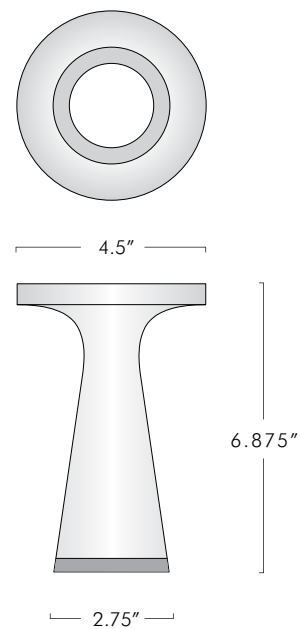
### FINISHES

Shown in Oil Rubbed Bronze (standard). Please inquire about our other finishes. Note: All finishes may vary slightly.

MODEL #	DIMENSIONS	NET WT.
1730	4.5 Diameter x 6.875H	5 lbs

### ELECTRICAL

1 x GU10 6W LED - 9W Max - LED Only











## ALOUETTE OUTDOOR SCONCE

### DESCRIPTION

The Alouette Outdoor Sconce is machined from solid brass. All parts are hand polished and powdercoated. Its shade is reeded borosilicate glass, fire-polished by hand.

### FINISH

Black Bronze. Note: Finish may vary slightly.

### SHADE

Reeded borosilicate glass. Also available in frosted glass. Two available sizes: 8.5" and 13.5" (shown in photos and line drawings).

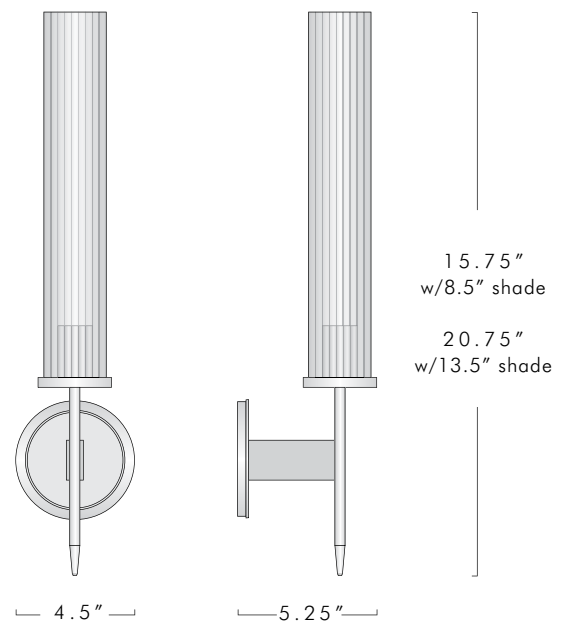
MODEL #	DIMENSIONS	NET WT.
1 9 4 4	4.5 W x 5.25 D x 20.75 H	5 lbs

### BACK PLATE / J-BOX

4.5" Diameter

### ELECTRICAL

- 1 x E26 40w T8 (13.5" glass version) - 75w max
- 1 x E26 3.5w T8 LED filament bulb available
- 1 x E26 40w T10 (8.5" glass version) - 75w max
- 1 x E26 6w T10 LED filament bulb available









## AMBOISE OUTDOOR SCONCE

### DESCRIPTION

The Amboise Outdoor Sconce is machined completely by hand. All parts are hand polished and powdercoated. Its shade is reed-ed borosilicate glass, fire polished by hand.

### FINISH

Black Bronze. Note: Finish may vary slightly.

### SHADE

Reeded Borosilicate Glass. Also available in Frosted Glass.

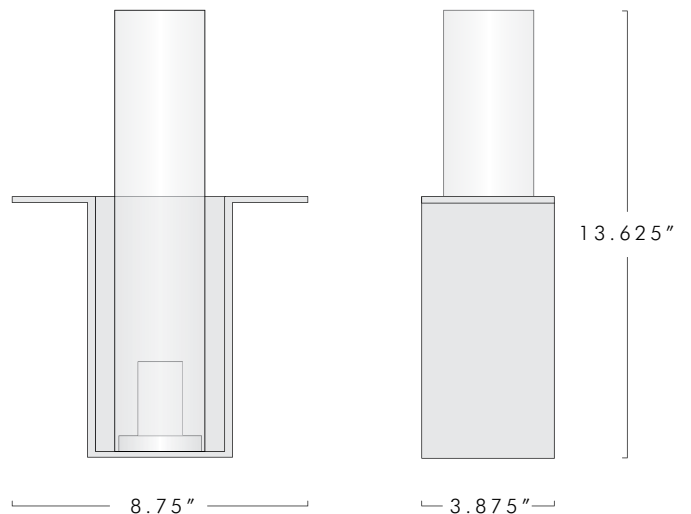
MODEL #	DIMENSIONS	NET WT.
1 9 4 3	8.75 W x 3.875 D x 13.625 H	5 lbs

### BACK PLATE / J-BOX

4.75 W x 8 H / Top to J-Box center: 10.5"

### ELECTRICAL

1 x E26 40w T8 - 75w max  
1 x E26 3.5w T8 LED filament bulb available









## BROUILLON OUTDOOR SCONCE

### DESCRIPTION

The Brouillon Outdoor Sconce is made from solid brass. All parts are hand polished and powdercoated. The body is made from one continuous piece.

### FINISH

Black Bronze. Note: Finish may vary slightly.

### SHADE

Brass

### MODEL #

1940

### DIMENSIONS

7" W x 4.25" D x 12" H

### NET WT.

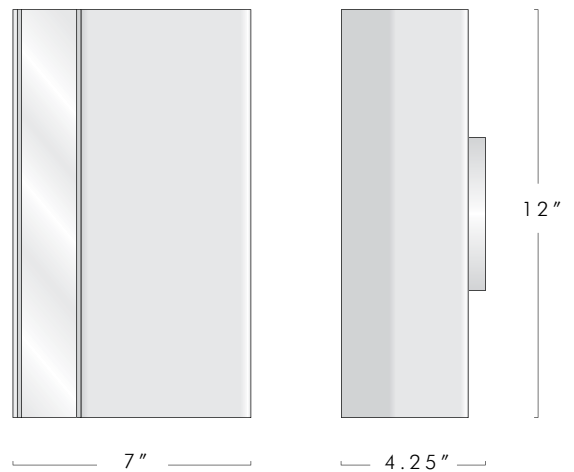
11 lbs

### BACK PLATE / J-BOX

4.5" Diameter / Top to J-Box Center: 6"

### ELECTRICAL

2 x G9 3.5W LED - 120W Max - LED Standard







## LECLERC OUTDOOR SCONCE

### DESCRIPTION

The Leclerc Outdoor Sconce is machined from solid brass. All parts are hand polished and powdercoated.

### FINISH

Black Bronze. Note: Finish may vary slightly.

### SHADE

Brass

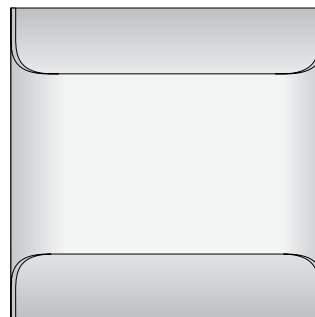
MODEL #	DIMENSIONS	NET WT.
1 9 4 1	10W x 3.125D x 10H	10 lbs

### BACK PLATE / J-BOX

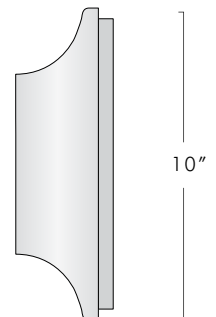
10" W x 10" H - Top to J-Box center: 5"

### ELECTRICAL

2 x G9 3.5W - 120W Max - LED Standard



10"

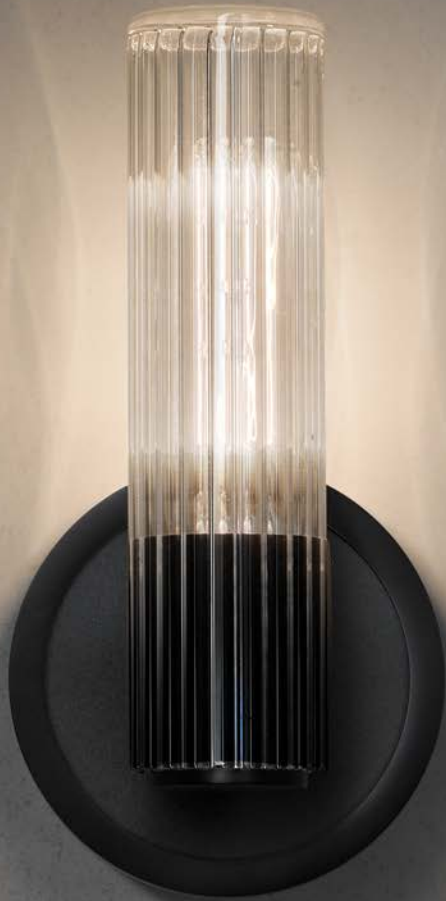


3.125"









All Lighting Design and Design Elements are ©2020 by Jonathan Browning Studios, Inc.

## PASTIS OUTDOOR SCONCE

### DESCRIPTION

The Pastis Outdoor Sconce is machined from solid brass. All parts are hand polished and powdercoated. The reeded borosilicate glass shade is notched to delicately rest on the brass arm.

### FINISH

Black Bronze. Note: Finish may vary slightly.

### SHADE

Reeded Borosilicate Glass. Two available sizes: 8.5" and 12.5" (shown in photos and line drawings).

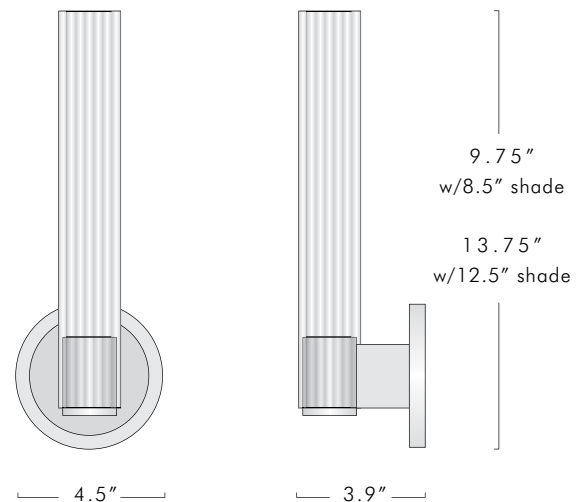
MODEL #	DIMENSIONS	NET WT.
1 9 4 5	4.5 W x 3.9 D x 13.75 H	4 lbs

### BACK PLATE / J-BOX

4.5" Diameter

### ELECTRICAL

- 1 x E26 40w T8 (12.5" glass version) - 75w max
- 1 x E26 3.5w T8 LED filament bulb available
- 1 x E26 40w T10 (8.5" glass version) - 75w max
- 1 x E26 6w T10 LED filament bulb available









## VENTOUX OUTDOOR SCONCE

### DESCRIPTION

This reinterpretation of our original Ventoux Outdoor Sconce is machined by hand from solid brass. All parts are hand polished and powdercoated. The shade is bead blasted borosilicate glass.

### FINISH

Black Bronze. Note: Finish may vary slightly.

### SHADE

Frosted Glass.

### MODEL #

1 8 3 7

### DIMENSIONS

4.5 W x 20.75 H x 6.375 D

### NET WT.

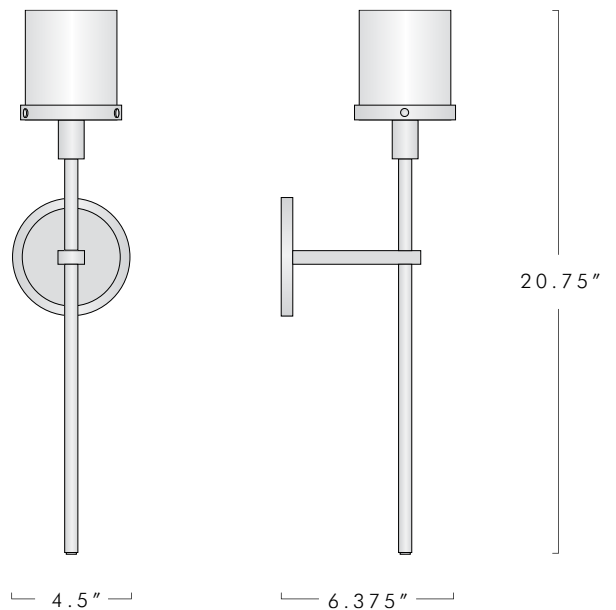
5 lbs

### BACK PLATE / J-BOX

4.5" Diameter / Top to J-Box center: 10"

### ELECTRICAL

1 x G9 3.5W LED - 60W Max - LED Standard







← INDEX

J | B  
JONATHAN  
BROWNING



All Lighting Design and Design Elements are © 2018 by Jonathan Browning Studios, Inc.

## DUVERNOIS FLOOR LAMP

### DESCRIPTION

The Duvernois Floor Lamp is made of solid brass. All parts are hand polished and patina'd. The frosted glass shade is surrounded by a column of brass fins. The base is clear glass.

### FINISHES

Shown in Oil Rubbed Bronze (standard). Please inquire about our other finishes. Note: All finishes may vary slightly.

### SHADE

Frosted Glass

### MODEL #

1 8 3 0

### DIMENSIONS

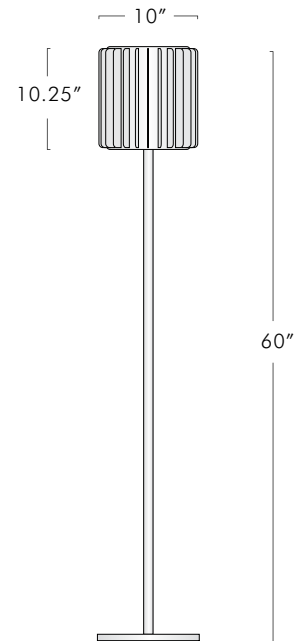
10 Dia x 60 H

### NET WT.

24 lbs

### ELECTRICAL

1 x E26 40W - 75W Max - LED Available







All Lighting Design and Design Elements are ©2022 by Jonathan Browning Studios, Inc.

## SANNES FLOOR LAMP

### DESCRIPTION

The Sannes Floor Lamp is machined from solid brass. All parts are hand polished and patina'd. The shade is made from ivory silk.

### FINISHES

Shown in Oil Rubbed Bronze (standard). Please inquire about our other finishes. Note: All finishes may vary slightly.

### SHADE

Ivory Pongee Silk.

### MODEL #

2 1 5 2

### DIMENSIONS

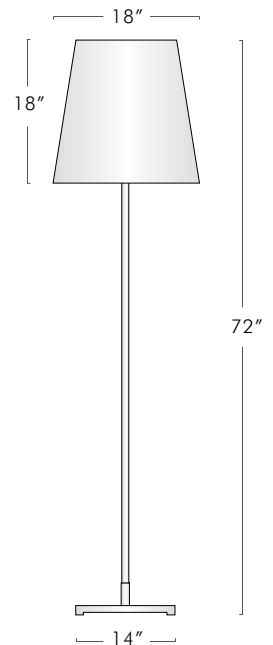
18 DIA x 72 H

### NET WT.

9 lbs

### ELECTRICAL

1 x E26 3.5W LED Bulb Only









All Lighting Design and Design Elements are ©2019 by Jonathan Browning Studios, Inc.

## VANEAU TASK LAMP

### DESCRIPTION

The Vaneau Task Lamp is machined from solid brass. All parts are hand polished and patina'd. The fixture body can pivot for directional light.

### FINISHES

Shown in Oil Rubbed Bronze (standard). Please inquire about our other finishes. Note: All finishes may vary slightly.

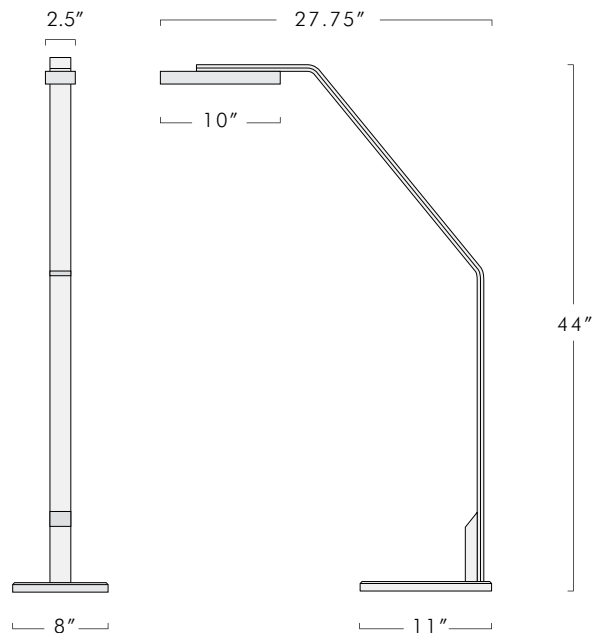
### SHADE

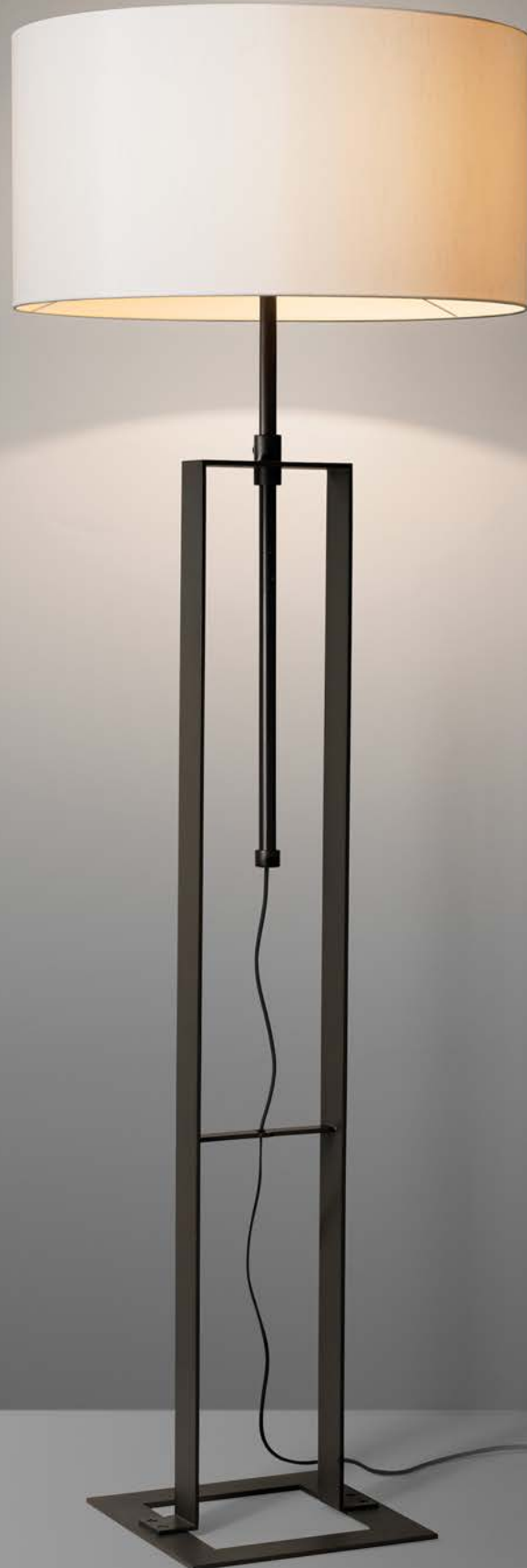
Brass

MODEL #	DIMENSIONS	NET WT.
1 8 0 2	27.75" W x 8" D x 44" H	36 lbs

### ELECTRICAL

1 x 6W LED Standard







## VIDAME FLOOR LAMP

### DESCRIPTION

The Vidame Floor Lamp is machined from solid brass. The frame is made by hand from thick-walled brass. All parts are hand polished and patina'd. The shade is made from ivory silk. The height of the lamp is adjustable.

### FINISHES

Shown in Oil Rubbed Bronze (standard). Please inquire about our other finishes. Note: All finishes may vary slightly.

### SHADE

Ivory Pongee Silk.

### MODEL #

2 1 0 2

### DIMENSIONS

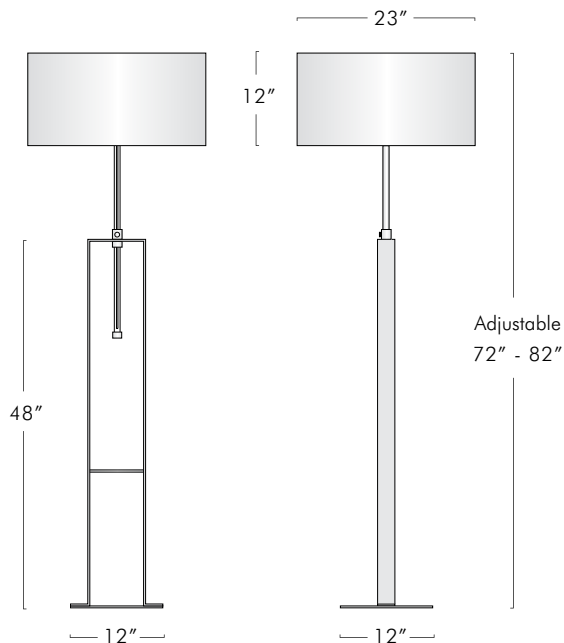
23 DIA x 72 H

### NET WT.

30 lbs

### ELECTRICAL

1 x E26 7W LED Bulb Only











All Lighting Design and Design Elements are ©2020 by Jonathan Browning Studios, Inc.

**ANJOU TABLE LAMP**

**DESCRIPTION**

The Anjou Table Lamp is made of solid bronze. Its base has been cast from a master carving using the investment cast process. All parts are hand polished and patina'd.

**FINISHES**

Shown in Oil Rubbed Bronze (standard). Please inquire about our other finishes. Note: All finishes may vary slightly.

**SHADE**

Ivory Silk.

**MODEL #**

1 8 3 4

**DIMENSIONS**

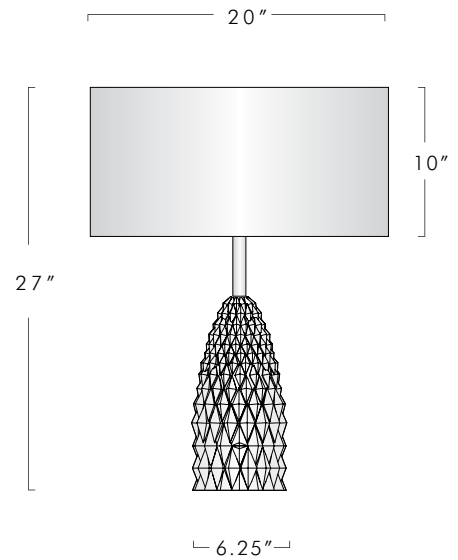
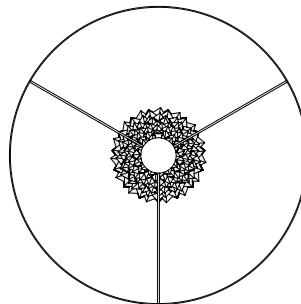
20 DIA x 27 H

**NET WT.**

28 lbs

**ELECTRICAL**

1 x E26 8W LED Bulb - 75W Max - LED Standard



**DIMMABLE**  
**2700K**





**AMBRAULT TABLE LAMP**

**DESCRIPTION**

The Ambrault Table Lamp body is made via castings from a master carving using the investment cast process. All parts are hand polished and patina'd.

**FINISHES**

Shown in Oil Rubbed Bronze (standard). Please inquire about our other finishes. Note: All finishes may vary slightly.

**SHADE**

Ivory Silk.

**MODEL #**

2 2 0 3

**DIMENSIONS**

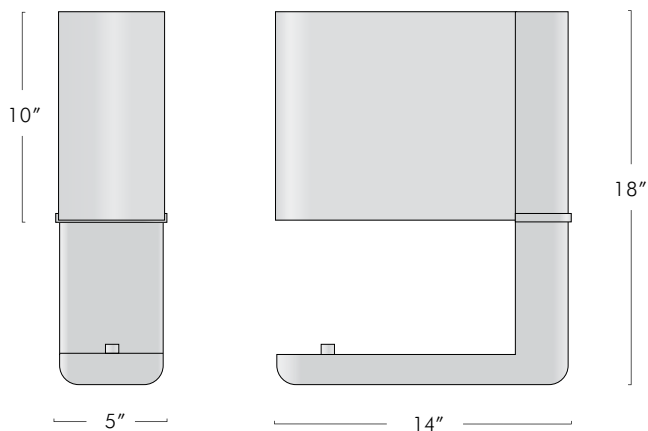
5W x 14D x 18H

**NET WT.**

12 lbs

**ELECTRICAL**

1 x E26 6W LED Bulb Only







All Lighting Design and Design Elements are ©2018 by Jonathan Browning Studios, Inc.

## DESMOULINS TABLE LAMP

### DESCRIPTION

The Desmoulins Table Lamp is made of solid brass. All parts are hand polished and patina'd. The base is cast from a master carving using the investment cast process.

### FINISHES

Shown in Oil Rubbed Bronze (standard). Please inquire about our other finishes. Note: All finishes may vary slightly.

### SHADE

Ivory Silk.

### MODEL #

1718

### DIMENSIONS

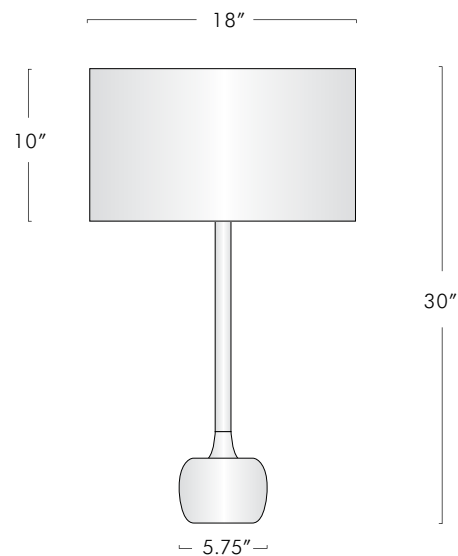
18 DIA x 30 H

### NET WT.

10 lbs

### ELECTRICAL

1 x E26 12W LED Bulb only



DIMMABLE  
2700K







All Lighting Design and Design Elements are ©2023 by Jonathan Browning Studios, Inc.

## GIRARDOT TABLE LAMP

### DESCRIPTION

The Girardot Table Lamp base is made from thick-walled brass tubing and travertine. All parts are hand polished and patina'd. The shades are made from ivory silk.

### FINISHES

Shown in Oil Rubbed Bronze (standard). Please inquire about our other finishes. Note: All finishes may vary slightly.

### SHADE

Ivory Silk.

### MODEL #

2 2 4 0

### DIMENSIONS

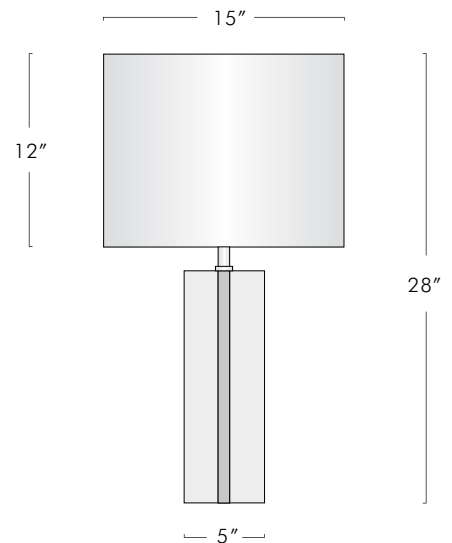
15 DIA x 28 H

### NET WT.

12 lbs

### ELECTRICAL

1 x E26 A19 12W LED







All Lighting Design and Design Elements are ©2018 by Jonathan Browning Studios, Inc.

## DUVERNOIS TABLE LAMP

### DESCRIPTION

The Duvernois Table Lamp is made of solid brass. All parts are hand polished and patina'd. The frosted glass shade is surrounded by a column of brass fins. The base is clear glass.

### FINISHES

Shown in Oil Rubbed Bronze (standard). Please inquire about our other finishes. Note: All finishes may vary slightly.

### SHADE

Frosted Glass.

### MODEL #

1 8 2 9

### DIMENSIONS

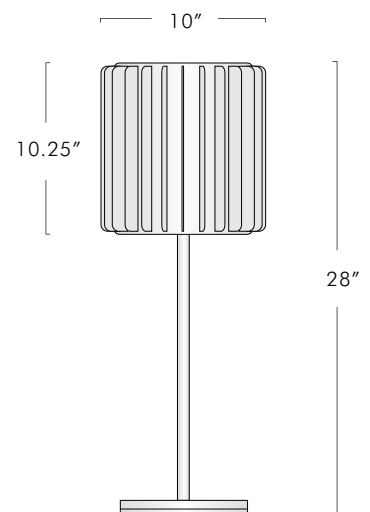
10 DIA x 28 H

### NET WT.

20 lbs

### ELECTRICAL

1 x E26 40W - 75W Max - LED Available







**GLAÇON RECTANGULAR  
TABLE LAMP**

**DESCRIPTION**

The Glaçon Rectangular Table Lamp is machined from solid brass. All parts are hand polished and patina'd. Each lead crystal half is hand carved and polished, held in place by 4 individual brass pins.

**FINISHES**

Shown in Oil Rubbed Bronze (standard). Please inquire about our other finishes. Note: All finishes may vary slightly.

**SHADE**

Lead Crystal.

**MODEL #**

1 7 1 3

**DIMENSIONS**

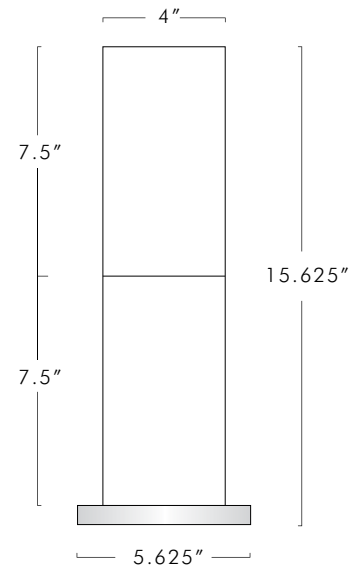
5.625W x 15.625H

**NET WT.**

18 lbs

**ELECTRICAL**

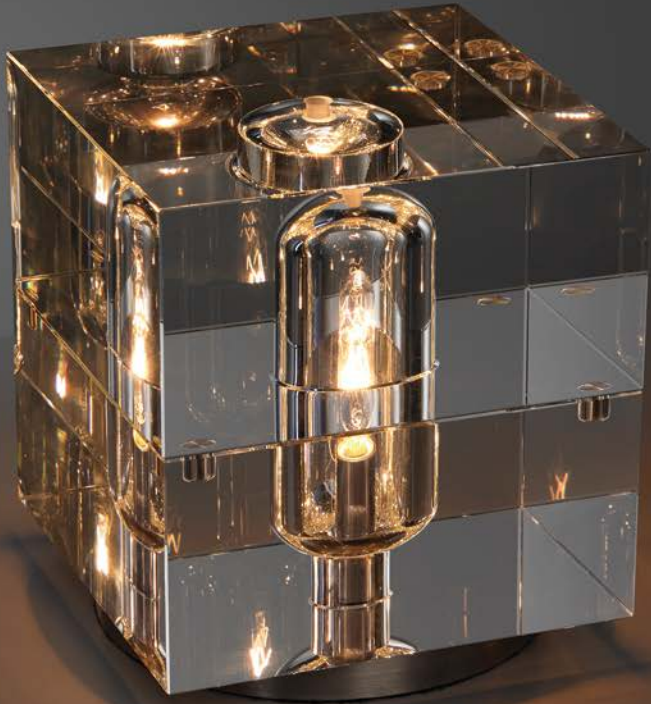
1 x E26 40W - 75W Max - LED Available











All Lighting Design and Design Elements are ©2018 by Jonathan Browning Studios, Inc.

## GLAÇON SQUARE TABLE LAMP

### DESCRIPTION

The Glaçon Square Table Lamp is machined from solid brass. All parts are hand polished and patina'd. Each lead crystal half is hand carved and polished, held in place by 4 individual brass pins.

### FINISHES

Shown in Oil Rubbed Bronze (standard). Please inquire about our other finishes. Note: All finishes may vary slightly.

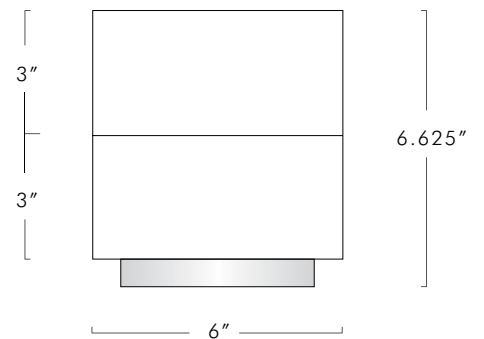
### SHADE

Lead Crystal.

MODEL #	DIMENSIONS	NET WT.
1714	6W x 6D x 6.625H	23 lbs

### ELECTRICAL

1 x E12 25W - 40W Max - LED Available







All Lighting Design and Design Elements are ©2020 by Jonathan Browning Studios, Inc.

## MONTPENSIER TABLE LAMP

### DESCRIPTION

The Montpensier Table Lamp is made of solid bronze. Its base has been cast from a master carving using the investment cast process. All parts are hand polished and patina'd.

### FINISHES

Shown in Oil Rubbed Bronze (standard). Please inquire about our other finishes. Note: All finishes may vary slightly.

### SHADE

Ivory Silk.

### MODEL #

1 9 2 4

### DIMENSIONS

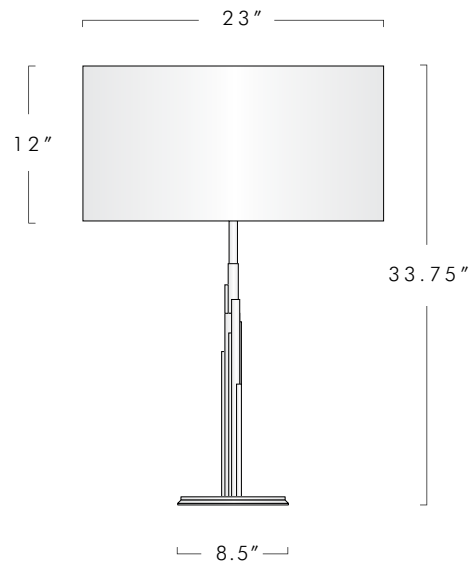
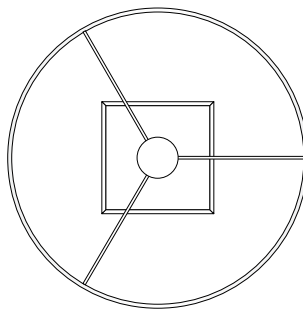
20 DIA x 33.5 H

### NET WT.

28 lbs

### ELECTRICAL

1 x E26 8W LED - 75W Max - LED Standard



DIMMABLE  
2700K





## TOURVILLE TABLE LAMP

### DESCRIPTION

The Tourville Table Lamp is machined from solid brass. All parts are hand polished and patina'd. The shade can be positioned at various angles.

### FINISHES

Shown in Lite Antique Bronze and Black Bronze (standard). Please inquire about our other finishes. Note: All finishes may vary slightly.

### SHADE

Brass.

### MODEL #

1 9 2 8

### DIMENSIONS

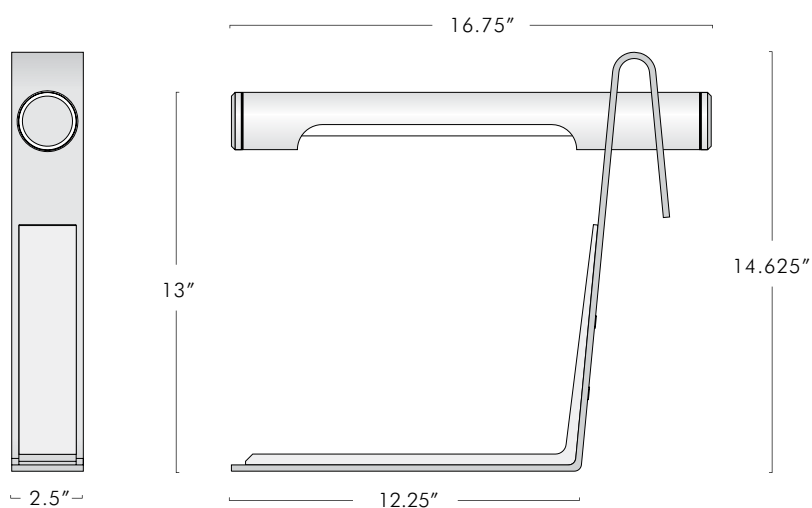
16.75 W x 2.5 D x 14.625 H

### NET WT.

12 lbs

### ELECTRICAL

1 x E26 3.5W LED - 75W Max - LED Standard









All Lighting Design and Design Elements are ©2011 by Jonathan Browning Studios, Inc.

## VENTOUX TABLE LAMP

### DESCRIPTION

The Ventoux Table Lamp is machined from solid brass. All parts are hand polished and plated. The metal shade is turned by hand on a lathe.

### FINISHES

Shown in Oil-rubbed Bronze (standard). Please inquire about our other finishes. Note: All finishes may vary slightly.

### SHADE

Metal. Also available in Clear Glass or Frosted Glass.

### MODEL #

1 1 3 1

### DIMENSIONS

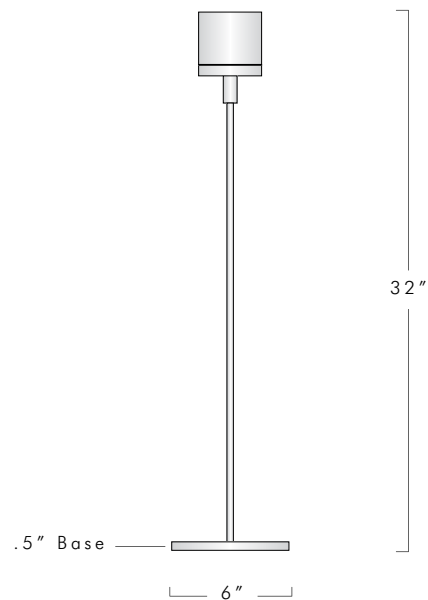
6" Diam. x 32 H

### NET WT.

9 lbs

### ELECTRICAL

1x E12 - 60w max - LED Available



DIMMABLE  
2700K







## ANJOU COCKTAIL TABLE

### DESCRIPTION

The Anjou Cocktail Table is made of solid bronze. It's base has been cast from a master carving using the investment cast process. All parts are hand polished and plated.

### FINISHES

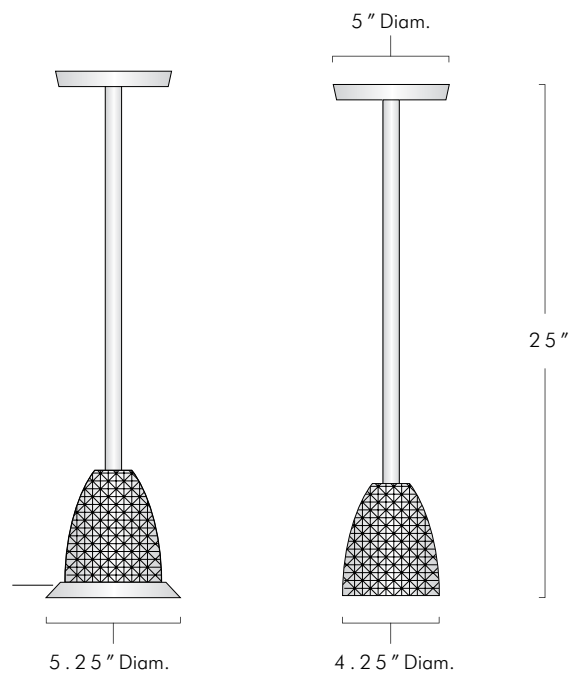
Shown in Oil Rubbed Bronze (standard). Please inquire about our other finishes. Note: All finishes may vary slightly.

MODEL #	DIMENSIONS	NET WT.
0910	5" Diam. x 25" H	10 lbs

### BASE

4.25" Diameter. An optional 5.25" diameter base plate for carpeted applications is available.

Optional 5.25" Diam. x .5 H base plate for carpeted applications.







All Lighting Design and Design Elements are ©2009 by Jonathan Browning Studios, Inc.

**LEDOUX COCKTAIL TABLE**

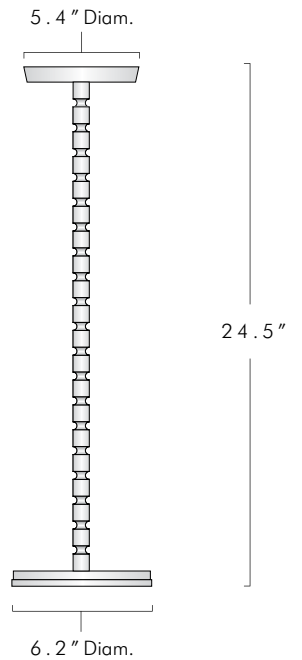
**DESCRIPTION**

The Ledoux Cocktail Table is machined by hand from solid brass. All parts are hand polished and patina'd.

**FINISHES**

Shown in Oil Rubbed Bronze (standard). Please inquire about our other finishes. Note: All finishes may vary slightly.

MODEL #	DIMENSIONS	NET WT.
1 6 1 7	6.2" Diam. x 24.5 H	10.75 lbs









All Lighting Design and Design Elements are ©2019 by Jonathan Browning Studios, Inc.

## MACHAUT FIRESCREEN

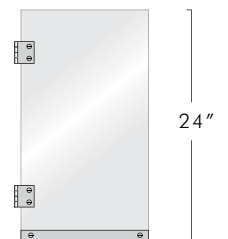
### DESCRIPTION

The Machaut Firescreen is machined from solid brass. All parts are hand polished and patina'd. The brass trim sits flush against each piece of tempered glass. The machined custom hinges allow any desired orientation.

### FINISHES

Shown in Oil Rubbed Bronze (standard). Please inquire about our other finishes. Note: All finishes may vary slightly.

MODEL #	DIMENSIONS	NET WT.
1 9 1 2	50.25" W x 14.25" D x 24" H	50 lbs







All Lighting Design and Design Elements are © 2019 by Jonathan Browning Studios, Inc.

## PASCAL FIRESCREEN

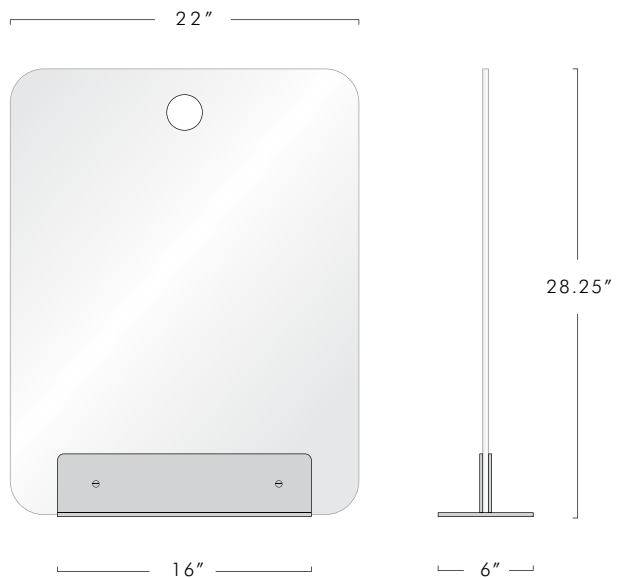
### DESCRIPTION

The Pascal Firescreen is machined by hand from solid brass. All parts are hand polished and patina'd. The tempered glass is secured safely within the brass frame.

### FINISHES

Shown in Oil Rubbed Bronze (standard). Please inquire about our other finishes. Note: All finishes may vary slightly.

MODEL #	DIMENSIONS	NET WT.
1909	22" W x 6" D x 28.25" H	35 lbs







All Lighting Design and Design Elements are ©2009 by Jonathan Browning Studios, Inc.

## QUENTIN COCKTAIL TABLE

### DESCRIPTION

The Quentin Cocktail Table is made by hand from thick-walled brass. All parts are hand polished and patina'd. The crystal trays are machined and polished by hand.

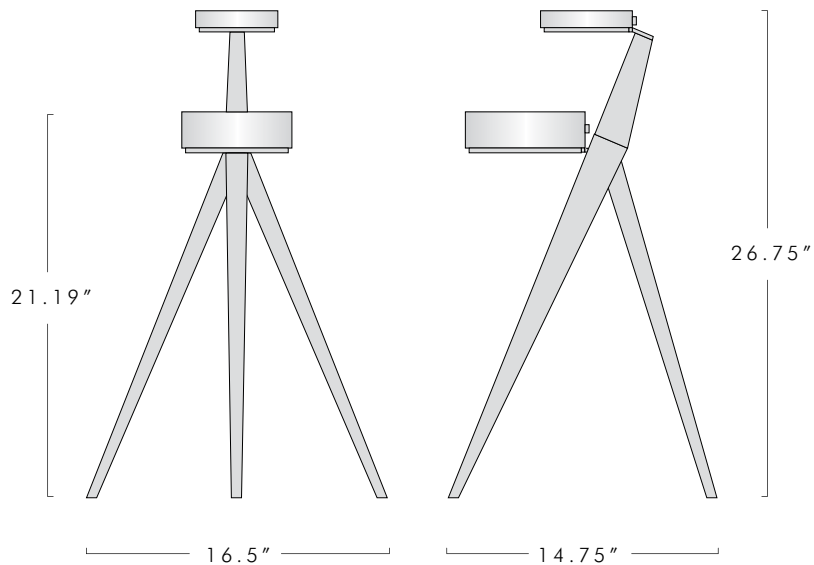
### FINISHES

Shown in Oil Rubbed Bronze (standard). Please inquire about our other finishes. Note: All finishes may vary slightly.

### TRAY

Clear Crystal.

MODEL #	DIMENSIONS	NET WT.
1 9 0 7	16.5W x 14.75D x 26.75H	15 lbs









All Lighting Design and Design Elements are ©2021 by Jonathan Browning Studios, Inc.

## TIGES FIRESCREEN

### DESCRIPTION

The Tiges Firescreen is machined from solid brass. Its four corners are fitted in a tongue and groove pattern. All parts are hand polished and plated. The 12mm rods are made from borosilicate glass for strength and safety.

### FINISHES

Shown in Oil Rubbed Bronze (standard). Please inquire about our other finishes. Note: All finishes may vary slightly.

MODEL #	DIMENSIONS	NET WT.
1 9 2 5	40 W x 10 D x 30 H	58 lbs

